














R2D2 – 32 / 48 / 72

EN 	Operating Manual			SE 	Bruksanvisning		
	Programming Manual	1			Programmeringsguide	135	
FR 	Mode d'emploi			SLO 	Návod na použitie		
	Guide de programmation	30			Pokyny na programovanie	156	
ES 	Instrucciones de uso			CZE 	Návod k obsluze		
	Instrucciones de programación	51			Průvodce programováním	175	
IT 	Istruzioni per l'uso			NL 	Gebruiksaanwijzing		
	Istruzioni di programmazione	72			Programmeerhandleiding	197	
POL 	Instrukcja obsługi			DE 	Betriebsanleitung		
	Instrukcja programowania	93			Programmieranleitung	216	
RUM 	Instrucțiuni						
	Ghid de programare	114					

Operating Manual

Programming Manual

Flow-controlled delayed regeneration
200gr Brining
R2D2- 32 / 48 / 72



Watersoftener
R2D2- 32 / 48 / 72
with control valve BNT 1650

Quick-start

Only the following values need to be programmed during commissioning:

System capacity (Chapter 12), Time (current), Reg. Days (optional)

- 1. DO NOT OPEN THE WATER SUPPLY YET**
2. Ensure that the installer has connected and secured the wastewater hose from the control valve to the drain. Connect the power supply.
3. Configure the system for operation by setting only the current time and the system capacity ("REG. CAP"). Verify that the programmed values match those specified in the operating manual in chapter 12.
4. Start a manual regeneration: Turn the large dial on the control valve clockwise from the "SERV." position to the "Ba. Wa." position. The display will show Backwashing. The Backwashing cycle begins when Backwashing appears on the display. At this point, unplug the power cord.
5. Slowly open the water supply to the softener, allowing the system to fill gradually to avoid pressure surges. Any air in the system will escape through the wastewater hose. Let the system rinse in this position until the water runs clear, which typically takes 5–15 minutes depending on the system type.
During this time, you may add approximately 10 liters of water to the system.
6. Plug the power cord back in and press the "■" button to advance the valve to the next cycle (Brining). If the display blinks, press the "■" button again to move to the next cycle (Fast Rinse). Press the "■" button once more to proceed to the next cycle (Brine Tank Refill). Allow the program to run automatically from the Filling cycle to completion.

Salt: After commissioning, you can add 1–3 bags of salt. The brine tank can be filled to the top. Ensure that the salt level is always above the waterline to allow sufficient brine formation.

During regular operation, refill the salt before it is completely used up. Always keep the salt level above the water level.

This quick guide is only valid in conjunction with the operating and programming manual.

Table of Contents

Important Information	3
Safety Instructions	3
Areas of Application	4
Regeneration Salt	5
Hazard Warnings	5
Maintenance / Service	5
Storage and Transport	5
Installation	5
Commissioning	6
Adjusting the Settings on the Control Valve	7
Programming the Control Valve	10
Calculating the Softening Capacity	10
Setting the Blending Ratio	14
Step-by-Step Installation Guide	15

1. Important Information

Read this manual thoroughly before installing and using the device. The safety instructions must be followed and adhered to.

We have largely pre-programmed the softener. Check your water hardness and adjust the preset value if necessary. An incorrectly set value may cause malfunctions! The system comes with a standard 3-year factory warranty. This warranty is only valid if the system is used in accordance with all regulations.

2. Safety Instructions

The water softener must be installed in a frost-free location, protected from moisture. It must not be installed outdoors.

Assembly and installation should only be carried out by trained professionals. Work on the water installation may only be performed by certified installation companies. Local regulations must be strictly observed. Follow the instructions in the installation manual!

This water softener is designed solely for use in the drinking water sector. The limits set by the Drinking Water Ordinance (TVO) must not be exceeded, particularly for iron (Fe 0.2 mg/l) and manganese (Mn 0.05 mg/l).

Any use not in accordance with the intended purpose is prohibited. A water filter must be installed upstream of the softener, primarily to protect it from contamination and clogging.

The use of a protective filter downstream of the device is also recommended, as mechanical damage or material defects could cause the ion exchange resin to be washed out.

The allowable water pressure is 2.0 - 6.0 bar. If the existing water pressure exceeds the limit, a pressure regulator must be used.

To prevent water damage, an open drain should be available near the installation site. If this is not available, install a break tank upstream of the drain to prevent backflow of wastewater.

The installation location must be flat, dry, and free from heat sources, with a temperature between +5 °C and +40 °C. Ensure the device is stable and cannot tip over.

In systems with copper and zinc, very soft water may cause corrosion. For water hardness above 15 °dH, maintaining a residual hardness of 3–5 °dH is recommended. The Aqmos water softener softens to 0 °dH by default, but this can easily be adjusted using the blending screw.

Check whether a backflow preventer is required on the water supply according to national regulations. If in doubt, contact your water supplier.

3. Areas of Application

Area of Application: Drinking Water

Purpose: Exclusively for reducing water hardness (Calcium / Magnesium)

System Connection: Input: 230 V / 50 Hz - Output: 24 V / 50 Hz

Ambient Temperature: Min. +5 °C / Max. +40 °C

Water Temperature: Min. +5 °C / Max. +30 °C

Operating Pressure: Min. 2 bar / Max. 6 bar

Humidity: Max. 60 %

Salt: In accordance with DIN 19604, DIN EN 973 Typ A

Splash-Proof: No

Interfering Ions: Chlorine, Iron, Manganese

4. Regeneration Salt

The system may only be used with salt tablets made from highly pure evaporated salt (NaCl) in accordance with DIN 19604 and DIN EN 973 Type A (purity grade).

The use of other salts (e.g., road salt, crushed salt) is not permitted, as it may contaminate the system and cause significant damage. Please use regeneration salt exclusively.

5. Hazard Warnings

Risk of Electric Shock – Danger from electrical energy!

Always unplug the device before performing any work on it! In case of damage to the cable insulation or electrical components, replace them immediately.

Risk from Water Pressure!

Before performing any work on the device, always relieve the pressure and shut off the water at the mounting block. To do this, first close the outer valves, then open the middle bypass valve. If no mounting block is available, close the main valve and relieve the pressure through a tap point located as low as possible in the water distribution system.

Risk from Contamination!

Adjust the device to the actual water consumption to ensure sufficient flow. If the device is not used for an extended period, it must be properly shut down by a specialized company. Under no circumstances should forced regeneration be deactivated.

6. Maintenance / Service

The system should be regularly checked by the operator to ensure proper functioning. An annual maintenance by a specialized company is recommended, based on DIN 1988 Part 8, to maintain technical integrity.

Defects or malfunctions must be rectified immediately.

The operator must ensure that there is always a sufficient amount of salt in the system to guarantee its proper functioning.

7. Storage and Transport

The system may only be transported in its original packaging. Storage must be in a frost-free location, away from strong heat sources, and in an upright position. Pay attention to the placement direction indicated on the outer packaging.

8. Installation

The installation of the system must comply with applicable standards and regulations.

For detailed step-by-step instructions on how to install the device, refer to page 15.

9. Commissioning

- Fill approximately 15 liters of water into the cabinet housing (up to about 25 cm in height). After the first regeneration, the optimal water level will be reached in the salt reservoir.
- Ensure that the brine line (3/8" diameter) between the control valve and the float valve is securely sealed.
- Connect the control valve to the power supply. The LCD screen will blink and display the time and remaining capacity.
- Perform a manual regeneration. To do this, turn the large dial on the control valve clockwise from the "SERV." position to the "BA. WA." position. The display will show...

Backwash

- The system will now perform a manual regeneration.
- Backwashing will begin.
- The remaining time will be displayed on the lower line of the screen.
- After the remaining time has elapsed, the dial will turn to the "BRINE" position..

The display shows:

Brine

The system is now performing the brining of the softening resin. After brining, the system will perform the steps "RINSE" (Fast Rinse) and "FILL" (Brine Tank Refill).

Ensure that the system does not draw air through the brine hose; check the brine hose connections if necessary.

Wait for the manual regeneration to complete (approximately 45 minutes).

The system has now rinsed the softening resin and pumped the correct amount of water into the brine tank.

- Fill the brine tank completely with salt tablets. It will take approximately 4–6 hours for the salt to dissolve into the water, reaching maximum concentration and forming brine. This will cause the level of the salt tablets to drop. Do not add extra water!

-The control valve can now be set. Simply configure the time (TIME), days until regeneration (REG. DAYS), and capacity (REG. CAP).

10. Adjusting the Settings on the Control Valve

The control valve is operated via user-friendly electronics with an LCD display. During normal operation, the current time and the remaining capacity until the next regeneration are displayed. The capacity is shown in T (tons), where one ton equals 1,000 liters or 1 m³ of water.

We have already set the control valve to the "Volume Mode with Forced Regeneration" (meter override). The water hardness to be removed must be adjusted to match the hardness level in your area.

The operating mode must not be changed to prevent bacterial contamination. All the following values have already been preset for you!

Parameter		Opties	Beschrijving
1	LANGUAGE	ENGLISH o. a.	Language selection
2	REGION	METRIC	Unit selection
		US	Gallons (US) or Tons (1 Ton = 1000 L)
3	REGENERATION MODE	CALENDAR CLOCK	In this mode, the system regenerates after a fixed, pre-programmed number of days at a specific time. The amount of water consumed during the period is not taken into account. Abbreviation on the display: CC (Calendar Clock)
		METER IMMEDIATE	In this mode, the system regenerates automatically after reaching a fixed, pre-programmed water volume. Regeneration occurs <u>immediately</u> once the set volume is reached. Abbreviation on the display: MI (Meter Immediate)

		<p>METER DELAY</p>	<p>In this mode, the system regenerates automatically after reaching a fixed, pre-programmed water volume. Regeneration occurs at a specified time (<u>delayed</u>) after the set volume is reached.</p> <p>Abbreviation on the display: MD (Meter Delay)</p>
		<p><u>METER OVERRIDE</u></p>	<p>In this mode, the system regenerates automatically after reaching a fixed, pre-programmed water volume. Regeneration occurs at a specified <u>time (delayed)</u> once the set volume is reached.</p> <p>Additionally, a forced regeneration is triggered after a pre-determined number of days, regardless of the water consumption. This prevents bacterial contamination of the system when no water is used (e.g., during vacations).</p> <p>Abbreviation on the display: MO (Meter Override)</p>
4	TIME		Set time.
5	REG. TIME	2:00	Enter the time at which the system should regenerate. We recommend 2:00 a.m., as water usage is typically minimal at that time.
6	REG. DAYS (REGENERATION DAYS)	7	Enter the number of days after which the system should regenerate (only in "Calendar Clock" and "Meter Override" modes).
7	REG. CAP.	<p>R2D2-32 = 1,45 To.</p> <p>R2D2-48 = 2,10 To.</p> <p>R2D2-72 = 3,20 To.</p>	<p>The softening capacity is specified here. The capacity is calculated based on the existing water hardness, the amount of softening resin, and the desired blending setting at the control valve.</p> <p>You can find the value in chapter 12.</p>

8	BACKWASH	R2D2-32 = 1 min R2D2-48 = 1 min R2D2-72 = 1 min) ")
9	BRINE	R2D2-32 = 28 min R2D2-48 = 35 min R2D2-72 = 40 min) ")
10	RINSE	R2D2-32 = 2 min R2D2-48 = 2 min R2D2-72 = 3 min) k)
11	REFILL	R2D2-32 = 3,2 min R2D2-48 = 4,8 min R2D2-72 = 7,2 min) k)
12	LOAD DEFAULT (7 o)		k u 8 k)

u : U \ _____

\ _____

o _____
u

o _____ @
7

Setting the Softening Capacity

The capacity must be calculated and entered based on the size of the system (amount of softening resin) and the water hardness. **Refer to Chapter 12.**

Checking All Parameters

Ensure that all parameters match the size of the system.

11. Programming the Control Valve

Press the button "□" for 3 seconds to unlock the keypad (SCREEN LOCKED).

Press the button "□" to enter the menu.

"LANGUAGE" will appear.

Press the button "■". The display will start blinking.

Use the buttons "▲ ▼" to select the mode "ENGLISH".

Save this entry by pressing the button "■".

Proceed to the next step by pressing the "▼" button.

"REGION" will appear.

Press the button "■". The display will start blinking.

Use the buttons "▲ ▼" to select "METRIC".

Save this entry by pressing the button "■".

Proceed to the next step by pressing the "▼" button.

"REGENERATION MODE" will appear.

Press the button "■". The display will start blinking.

Use the buttons "▲ ▼" to select "METER OVERRIDE".

Save this entry by pressing the button "■".

Proceed to the next step by pressing the "▼" button.

"TIME" will appear.

Press the button "■". The display will start blinking.

Use the buttons "▲ ▼" to select the current time.

Save this entry by pressing the button "■".

Proceed to the next step by pressing the "▼" button.

"REG. TIME" will appear.

Press the button "■". The display will start blinking.

Use the buttons "▲ ▼" to select 02:00.

Save this entry by pressing the button "■".

Proceed to the next step by pressing the "▼" button.

"REG. DAYS" will appear.

Press the button "■". The display will start blinking.

Use the buttons "▲ ▼" to select 07.

Save this entry by pressing the button "■".

Proceed to the next step by pressing the "▼" button.

"REG. CAP" will appear.

Press the button "■". The display will start blinking.

Use the buttons "▲ ▼" to select the capacity in tons (= 1000 liter). Zie pagina 13.

Save this entry by pressing the button "■".

Proceed to the next step by pressing the "▼" button.

"BACKWASH" will appear.

Press the button "■". The display will start blinking.

Use the buttons "▲ ▼" to select the backwash time in minutes.

R2D2-32: 01 Min.

R2D2-48: 01 Min.

R2D2-72: 01 Min.

Save this entry by pressing the button "■".

Proceed to the next step by pressing the "▼" button.

"BRINE" will appear.

Press the button "■". The display will start blinking.

Use the buttons "▲ ▼" to select the brine time in minutes.

R2D2-32: 28 Min.

R2D2-48: 35 Min.

R2D2-72: 40 Min.

Save this entry by pressing the button "■".

Proceed to the next step by pressing the "▼" button.

"RINSE" will appear.

Press the button "■". The display will start blinking.

Use the buttons "▲ ▼" to select the rinse time in minutes.

R2D2-32: 02 Min.

R2D2-48: 02 Min.

R2D2-72: 03 Min.

Save this entry by pressing the button "■".

Proceed to the next step by pressing the "▼" button.

"REFILL" will appear.

Press the button "■". The display will start blinking.

Use the buttons "▲ ▼" to select the refill time in minutes.

R2D2-32: 03.2 Min.

R2D2-48: 04.8 Min.

R2D2-72: 07.2 Min.

Save this entry by pressing the button "■".

Press the button "□" to exit the menu.

Your water softener is now fully programmed and ready for use.

12. Calculating the Softening Capacity

Depending on the amount of softening resin used, a water softener can soften varying amounts of water. The hardness of the raw water also has a significant impact on the system's capacity.

Both values must be known and stored in the control valve to ensure the system operates as efficiently and effectively as possible.

Use a total hardness test kit to easily determine the current hardness of your raw water. Alternatively, you can find the water hardness in the information provided by your water supplier (e.g., on their website).

You can also calculate the values yourself using the table below if needed:

Example:

32: 20°dH = 1200 Liter soft water

48: 20°dH = 1800 Liter soft water

72: 10°dH = 5400 Liter soft water

		R2D2-32	R2D2-48	R2D2-72
°dH	°fH			
5	9	4,80 T	7,20 T	10,80 T
6	11	4,00 T	6,00 T	9,00 T
7	12	3,40 T	5,10 T	7,70 T
7,5	13	3,20 T	4,80 T	7,20 T
8	14	3,00 T	4,50 T	6,70 T
9	16	2,60 T	4,00 T	6,00 T
10	18	2,40 T	3,60 T	5,40 T
11	20	2,10 T	3,20 T	4,90 T
12	21	2,00 T	3,00 T	4,50 T
13	23	1,80 T	2,70 T	4,10 T
14	25	1,70 T	2,50 T	3,80 T
15	27	1,60 T	2,40 T	3,60 T
16	29	1,50 T	2,20 T	3,30 T
17	30	1,40 T	2,10 T	3,10 T
18	32	1,30 T	2,00 T	3,00 T
19	34	1,20 T	1,90 T	2,80 T
20	36	1,20 T	1,80 T	2,70 T
21	37	1,10 T	1,70 T	2,50 T
22	39	1,00 T	1,60 T	2,40 T
23	41	1,00 T	1,50 T	2,30 T
24	43	1,00 T	1,50 T	2,20 T
25	45	0,90 T	1,40 T	2,10 T
26	46	0,90 T	1,30 T	2,00 T
27	48	0,80 T	1,30 T	2,00 T
28	50	0,80 T	1,20 T	1,90 T
29	52	0,80 T	1,20 T	1,80 T
30	54	0,80 T	1,20 T	1,80 T

13. Setting the Blending Ratio

The system softens the raw water to 0 °dH.

We recommend following the advice of manufacturers of appliances such as boilers. If a specific water hardness is indicated, it may be necessary to mix the softened water with raw water to achieve the recommended hardness.

Option 1 - Integrated blending valve on the control valve

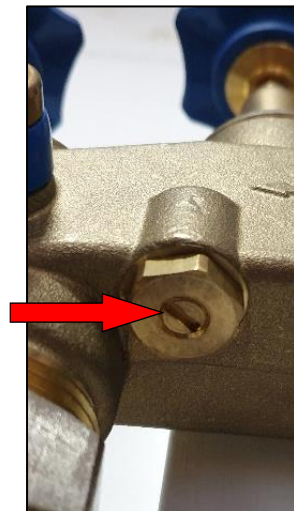


By turning the adjustment screw, you change the blending with raw water.

Turning clockwise: Water hardness increases.

Turning counterclockwise: Water hardness decreases.

Option 2 (Recommended) - Slotted screw on the mounting block



Slotted screw for residual hardness adjustment

By turning the slotted screw, you change the blending with raw water.

Turning counterclockwise: Water hardness increases.

Turning clockwise: Water hardness decreases.

We recommend blending via the mounting block for more accurate results. Additionally, the mounting block is made of brass, making it more durable.

Check the water hardness at a tap point (sample tap on the mounting block) near the system using a water hardness test kit (titration solution). Always measure water hardness with cold water, as hot water flows through heating elements and softens only gradually.

Depending on the distance to the tap point, it may take some time before the newly blended water hardness can be measured. (For this reason, measure directly at the sample tap on the mounting block.) It is best to turn the nearest tap halfway open and adjust the water hardness accordingly.

Step-by-Step Installation Guide

Control Valve BNT 1650



Table of Contents: Installation

Installation Step 1 – Integrate BNT 1650 control valve into main water supply	17
Installation Step 2 – The mounting block	18
Installation Step 3 – The control valve	19
Installation Step 4 – Wastewater and overflow protection hose	22
Installation Step 5 – Connecting to the power supply	23
Notes	23
Drawings	24
• Dimensions of the control valve	
• Exploded view of the control head with part numbers	
• Exploded view of the valve neck with part numbers	
• Exploded view of the bypass valve with part numbers	

Integrate BNT 1650 control valve into main water supply

Installation Step 1:

Before beginning any work, close the main shut-off valve.
Next, open a downstream tap to release the water pressure.

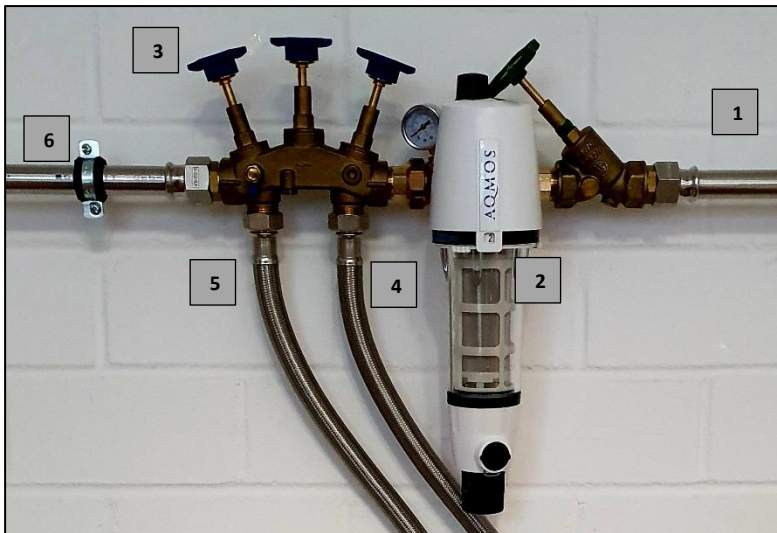
The mounting block should be installed in the pipeline, after the water meter, water filter, and, if applicable, the pressure reducer, by a qualified installer.

To prevent damage to the system, a protective filter should be installed upstream of the unit. If the water pressure exceeds the maximum operating pressure, a pressure reducer is also required.

Pay close attention to the flow direction of the mounting block (indicated by the arrow on the block). Install it according to the flow direction, with the test tap in the front and the plug at the back.

Close the two outer valves on the mounting block. Then open the middle bypass valve. The main shut-off valve can now be reopened. Water will now flow through the bypass of the mounting block. Check for leaks.

The following image illustrates how a water softener or sediment filter can be connected to the household water supply using the mounting block.



1. Main water line, inlet from municipal water supply
2. Backwash filter with integrated pressure reducer
3. Mounting block with bypass function and blending valve
4. Water inlet (to the system)
5. Water outlet (from the system)
6. Further piping/water distribution

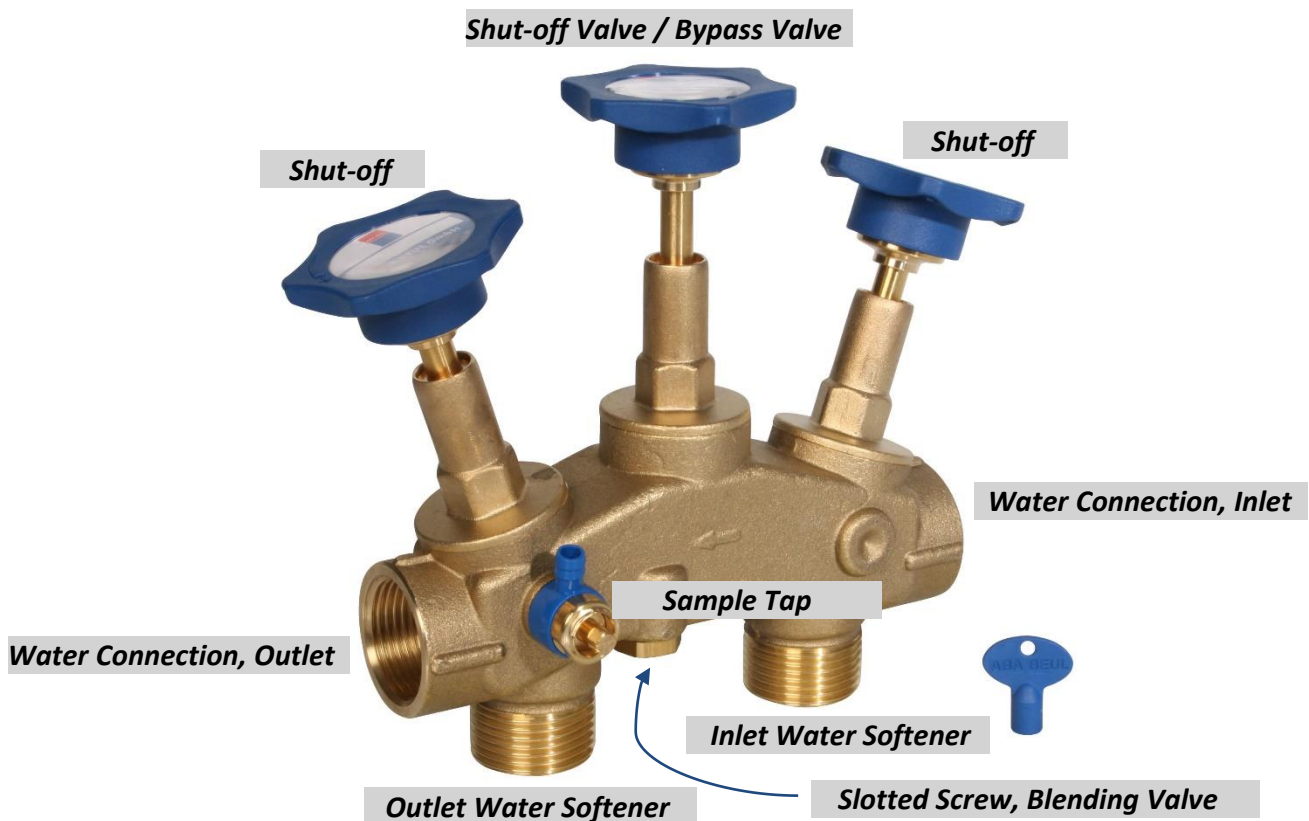
Installation Step 2 – The mounting block

Please note that the mounting block may not be included in the delivery and must be ordered separately!

The mounting block is used to completely disconnect the system from the household water supply and also provides a bypass function.

During normal operation, the middle valve is closed, and the two outer valves are open.

If the water softener or sediment filter is defective, or if water should bypass the system, the customer can close the two outer valves to disconnect the softener from the water supply. The middle valve is then opened, providing a continuous supply of untreated water.

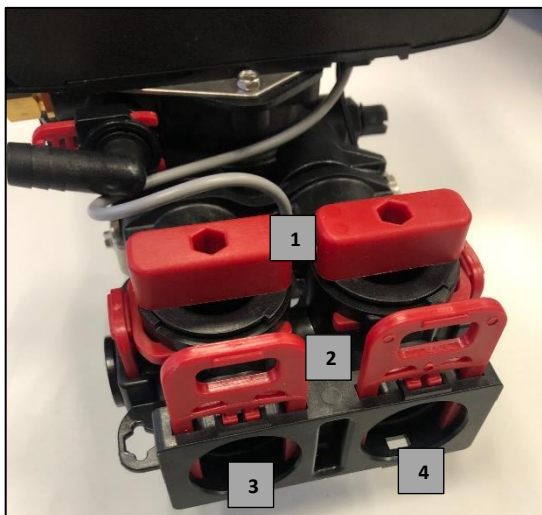


Installation Step 3 – The control valve



1. Flow Direction Marking for Water Inlet and Outlet

Arrows indicating the flow direction are located on top of the connection piece!



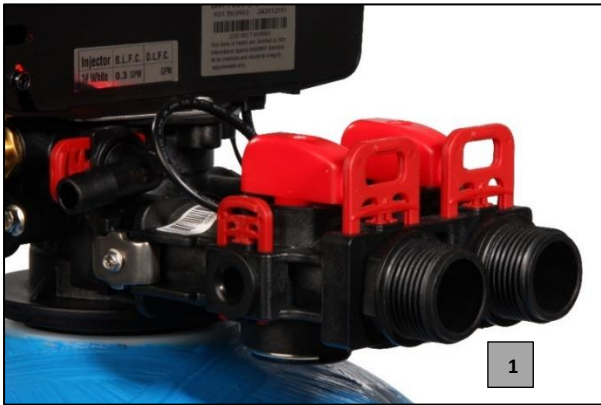
1. Shut-off valves
(closed upon delivery, open after installing the device!)
2. Locking clips
3. Water inlet
4. Water outlet



1. To insert the threaded pieces, pull the locking clips upward from the connection piece.



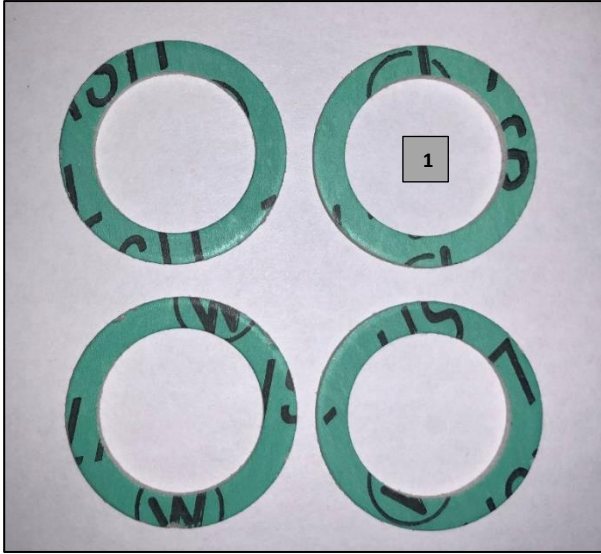
1. Threaded Piece
2. Lightly grease the O-rings with the supplied grease. Then insert the threaded piece into the connection piece until it stops.



1. Once the threaded pieces are inserted, reinsert the locking clips.



1. Connection hoses for connecting to the household water supply.



1. Flat seals for the connection hoses.

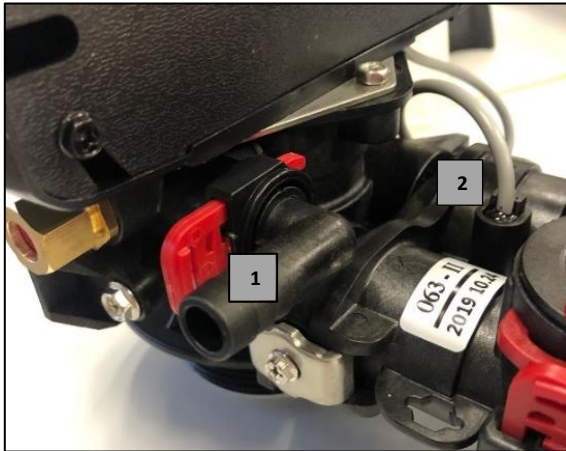


1. Insert the flat seals into the union nut. Then screw the union nut onto the control valve threaded connection piece and the connections to the household water supply.

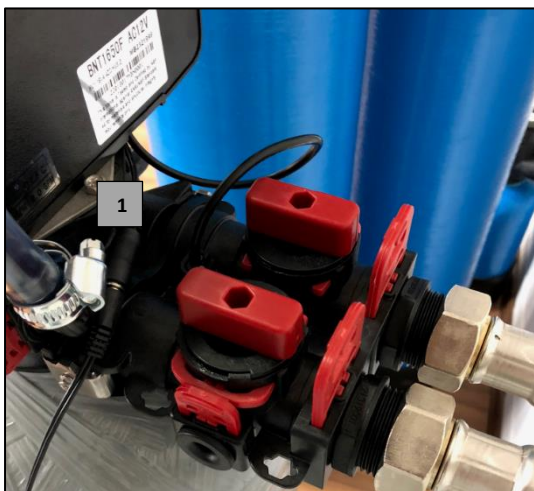


1. Control head with connection piece and connection hoses. When tightening the hoses, be sure to hold the threaded piece at the flat surfaces to prevent it from turning!

Installation Step 4 – Wastewater and overflow protection hose



1. Connection for the wastewater hose.
2. The gray cable is for the water meter and must be plugged into the designated socket in the center of the control valve.



1. Slide the 1/2" wastewater hose onto the connection and secure it with the hose clamp.

The wastewater hose can be routed up to a maximum of 120 cm vertically from the system's wastewater connection. The total length should not exceed 6 meters and must have a minimal incline.



1. Connection for the overflow protection hose.

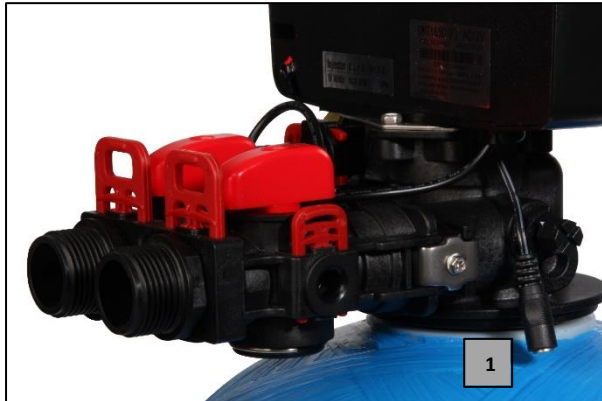
The connection for the overflow hose is located on the housing of the water softener or the brine tank. Slide the 1/2" overflow hose onto this connection.

*The connection is pressure-free and must be installed with a slope.
Minimal to no water should leak out from here.
If routing the hose into the wastewater pipe is not possible due to the lack of slope, the hose can also be placed into a bucket or container.*

Route the ends of the hoses separately to the drain connection (do not connect them with a T-piece – risk of backflow!).

Use an open drain and/or a backflow preventer to avoid backflow. Ensure the hoses are securely fastened to prevent them from coming loose due to pressure surges.

Installation Step 5 – Connecting to the power supply



1. Power supply connector.

NOTES

Before commissioning the device, fill the cabinet housing with approximately 15 liters of water. For detailed commissioning instructions, please refer to page 6.

Water should only be added during the initial installation. During regular operation, the system will automatically fill with water during the regeneration cycle.

The water level should be about 1/3 of the system's height.

The dial on the control head indicates the operating status and does not need to be manually turned.

Don't forget to open the bypass.

Airbags and bubble wrap inside the cabinet housing serve as transport protection and can be easily removed.

Inside the cabinet housing or brine tank, there is a pipe with a lid containing a float valve. The float valve serves as overflow protection and requires no adjustment.

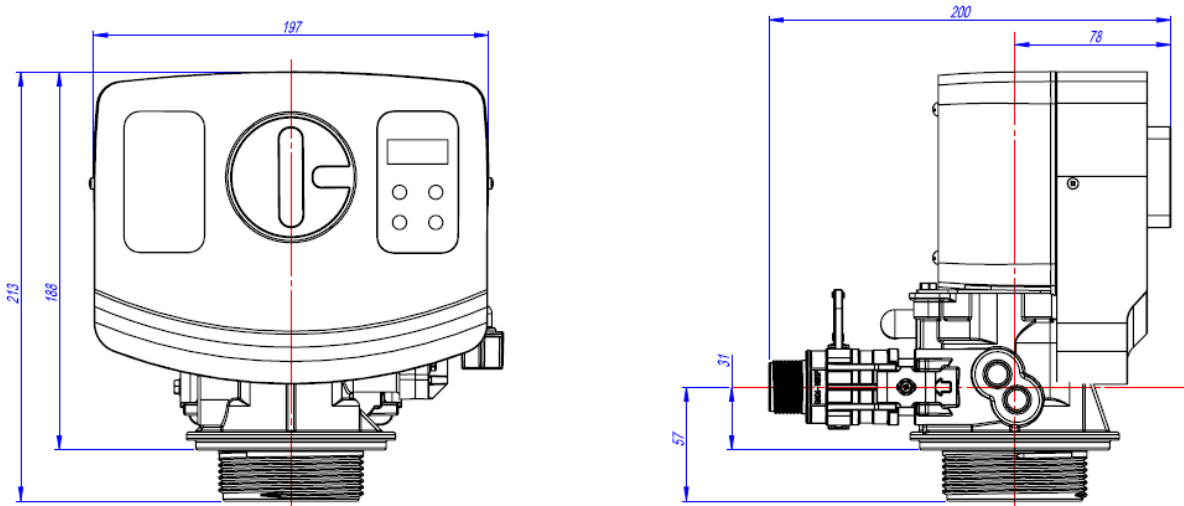
If you have any questions, feel free to contact us via our website at www.aqmos.com or www.aqmos.nl.

Your Water Treatment Team

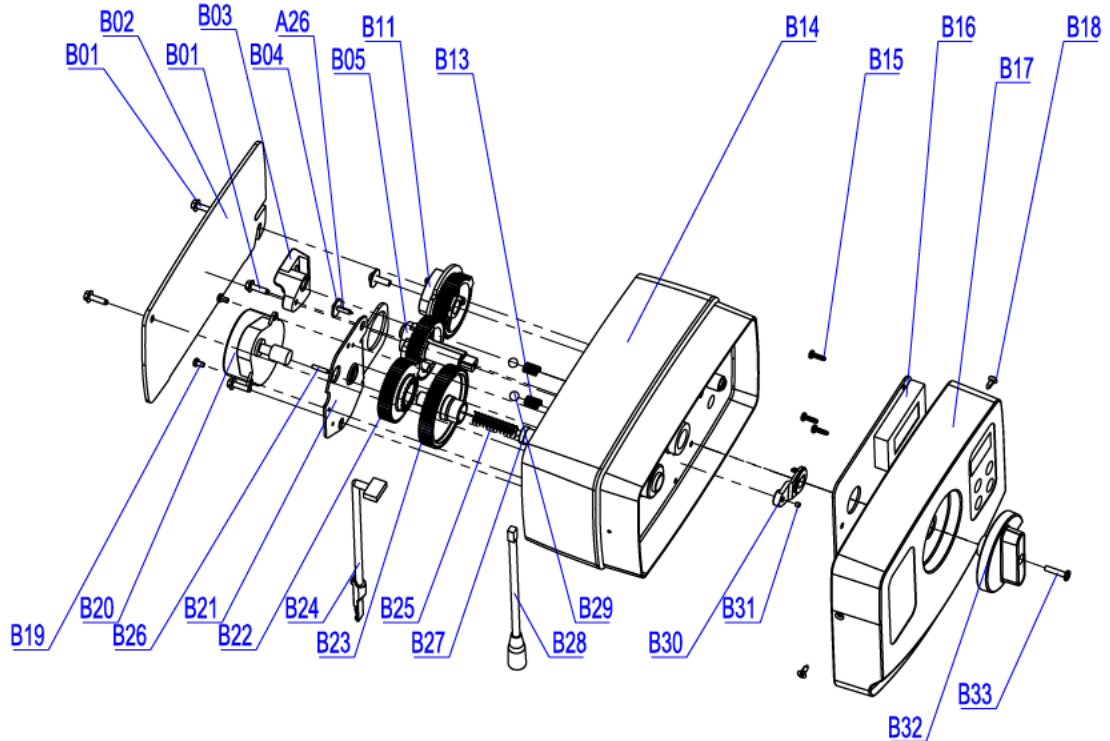
AQMOS

Drawings

Dimensions of the control valve



Exploded view of the control valve BNT1650

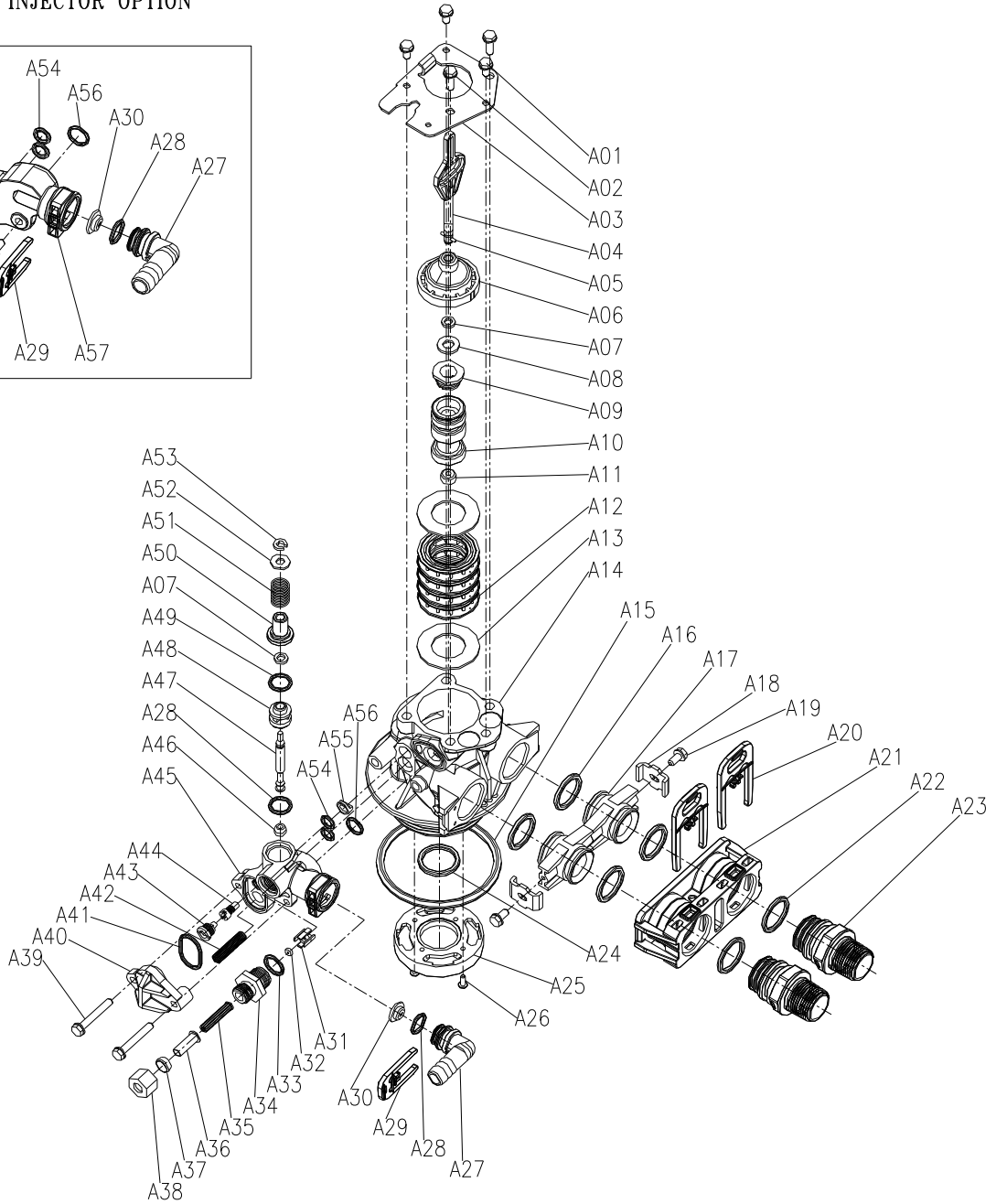
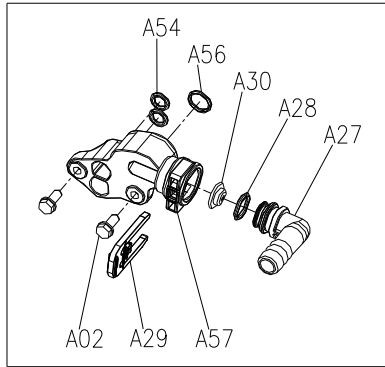


Spare parts list BNT-1650

	Part No.	Part Description	Quantity
B01	05056136	Screw-ST3.5x13 (Hexagon with Washer)	4
B02	05056014	Bnt65 Back Cover	1
B03	05010045	Piston Stem Holder	1
A26	13000426	Screw-ST2.9x13 (Large Water)	1
B04	05056139	Washer-3x13	1
B05	05056005	Main Gear	1
B06	05056083	Screw-M4x14	1
B07	05056166	Screw-ST4.2x12 (Large Water)	1
B08	05056141	Washer-4x12	1
B09	13111004	Washer-4x9	1
B10	05056016	Refill Regulator	1
B11	05056015	Brine Gear	1
B12	05056089	Nut-M4	1
B13	05056095	Spring Detent	2
B14	05056001	Bnt65 Housing	1
B15	05010037	Srew-ST2.9x10	5
B16	05056504	Bnt165 Pcb	1
B17	05056500	Bnt165 Front Cover	1
	05056505	Bnt165 Operation Label	1
	05056506	Bnt165 Regen. Label	1
	3010019582	QR code label	1
B18	05056509	Screw-ST2.9x10 (CSK)	2
B19	05056082	Screw-M3x5	2
B20	05056510	Motor-12v/2rpm	1
	11700005	Wire Connector	2
B21	05056045	Motor Mounting Plate	1
B22	05056501	Bnt165 Drive Gear	1
A04	05010081	Bnt65 Piston Rod	1
B23	05056002	Idler Gear	1
B24	05010031	Meter Assembly	1
	05010046	Meter Strain Relief	1
B25	05056094	Spring Idler	1
B26	05056098	Motor Pin	1
B27	05056502	Spring Retainer	1
B28	05056507	Bnt165 Power Cable	1
	05056013	Bnt65 Power Strain Relief	1
B29	05056092	Ball-1/4inch	2
B30	05056503	Magnet Holder	1
B31	05010023	Magnet-3x2.7	1
B32	05056008	Bnt65 Knob	1
	05056111	Bnt65 Knob Label	1
B33	05056084	Screw-ST3.5x13	1

Exploded view of the valve neck BNT-1650

FILTER INJECTOR OPTION

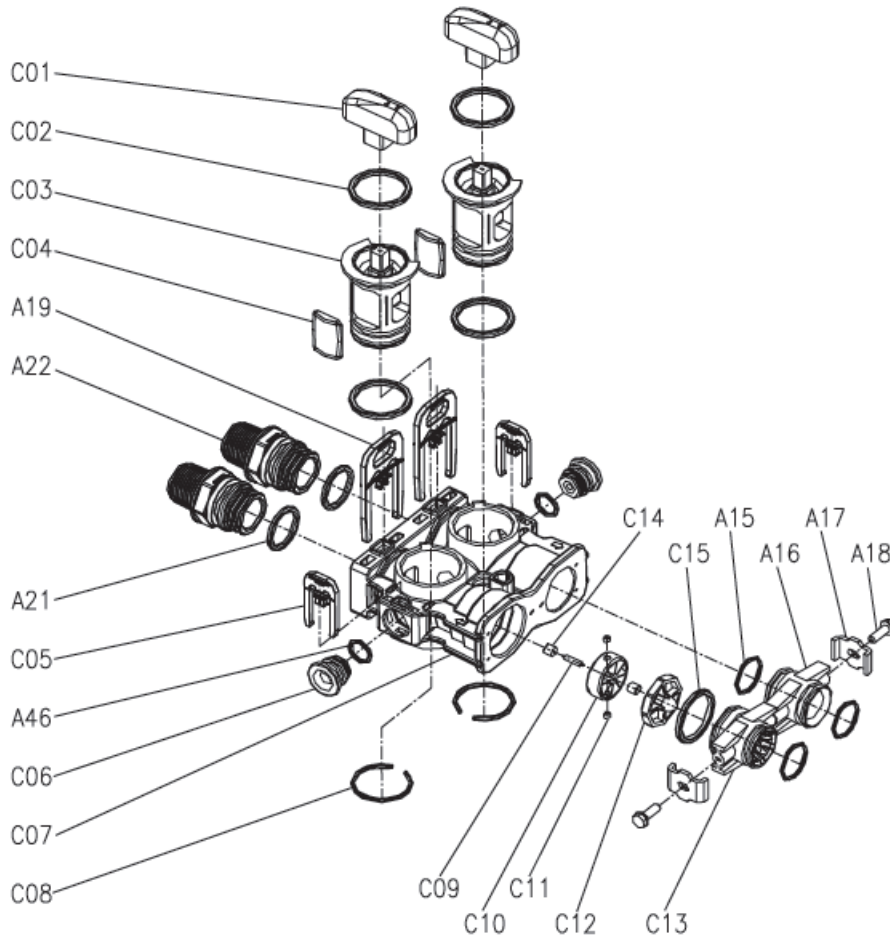


Spare parts valve neck BNT-1650

Item No.	Part. No.	Part Description	Quantity
A01	05056087	Screw-M5x12 (Hexagon)	3
A02	05056088	Screw-M5x16 (Hexagon with Washer)	2
A03	05056047	End Plug Retainer	1
A04	05010081	Bnt65 Piston Rod	1
A05	05056097	Piston Pin	1
A06	05056023	End Plug	1
A07	05056070	Quad Ring	2
A08	05056024	End Plug Washer	1
A09	05056022	Piston Retainer	1
A10	05056181	Piston (Electrical)	1
A11	05056104	Muffler	1
A12	05056021	Spacer	4
A13	05056073	Seal	5
A14	05056019	Bnt65 Valve Body	1
A15	05056063	O-Ring-q78.74x5.33	1
A16	05056129	O-Ring q23x3	4
A17	05056025	Adaptor Coupling	2
A18	05056044	Adaptor Clip	2
A19	05056090	Screw ST4.2x13 (Hexagon with Washer)	2
A20	21709003	Secune Clip	2
A21	05056140	Valve Connector	1
A22	05056065	O-Ring q23.6x2.65	2
A23	21319006	Screw Adaptor	2
A24	26010103	O-Ring q25x3.55	1
A25	07060007	Valve Bottom Connector	1
A26	13000426	Screw ST2.9x13 (Large Wafer)	2
A27	05010082	Drain Fitting-B	1
A28	05056134	O-Ring 12x2	2
A29	05056172	Sesune Clip S	1
A30	05056186	DLFC-2#	1
A31	05056035	BL F C Button Retainer	1
A32	05056191	BL F C-2#	1
A33	05056138	O-Ring 14x1.8	1
A34	05056100B	BL F C Fitting	1
A35	05056106	Brine Line Screen	1
A36	05056107	BL F C Tube Insert	1
A37	05056033	BL F C Femule	1
A38	05056108	BL F C Fitting Nut	1
A39	05056066	Screw-M6x30 (Hexagon with Washer)	2
A40	05056029	Injector Cover	1
A41	05056072	O-Ring q24x2	1
A42	05056103	Injector Screen	1
A43	05056027	Injector Nozzle	1
A44	05056028	Injector Throat	1
A45	05056177	Injector Body-B	1
A46	05056075	Injector Seat	1

A47	05056054	Injector Spacer	1
A49	05056081	O-Ring 12.5x1.8	1
A50	05056030	Injector Cap	1
A51	05056093	Injector Screen	1
A52	05010049	Special Washer	1
A53	05056105	Retaining Ring	1
A54	05056067	O-Ring 7.8x1.9	2
A55	05056037	Air Disperser	1
A56	05056066	O-Ring 11x2	1
A57	05056165	Injector Body (Filter)	1

Exploded view of the bypass valve



Spare parts list Bypass valve BNT-1650

Item No	Part No.	Part Description	Quantity
C01	05056147	Bypass Knob	2
C02	26010028	O-Ring 28x2.65	4
C03	05056148	Bypass Plug	2
C04	05056149	Bypass Seal	2
A20	21709003	Secure Clip	2
A23	21319006	ScREW Adaptor	2
A22	05056065	O-Ring 23.6x2.65	2
C05	05056172	Secure Clip S	2
A48	05056134	O-Ring 12x2	1
C06	05056146	Bulkhead	2
C07	05056145	Bypass Body	1
C08	05056150	Collar 32x2.5	2
C09	05010079	Impeller Pin	1
C10	05010014	Impeller	1
C11	05010078	Magnet 4x3	2
C12	05010077	Impeller Holder	1
C13	05010083	Adaptor Distributor	1
C14	05010019	Pin Holder	2
C15	26010046	O-Ring 27x3	1
A16	05056129	O-Ring 23x3	3
A17	05056025	Adaptor Coupling	1
A18	05056044	Adaptor Clip	2
A19	05056090	Screw-ST4.2x13 (Hexagon with Washer)	2

Technical Specifications

Operating Pressure:	2,0 bar to 6,0 bar
Ambient Temperature:	+5 °C to +40 °C
System Connection:	Input: 230 V / 50 Hz -- Output: 25 V / 50 Hz
Thread for Pressure Vessel:	2.5" NPSM
Connection Size Inlet/Outlet:	3/4"

Mode d'emploi

Guide de programmation

Régénération temporisée en fonction du débit
Saumurage 200 g >Courant continu<
R2D2- 32 / 48 / 72



Adoucisseur d'eau R2D2
Capacité 32, 48 et 72
avec vanne de commande BNT 1650

Table des matières

Remarques importantes	31
Consignes de sécurité	31
Domaines d'application	32
Sel régénérant	33
Informations sur les dangers.	33
Maintenance / Service	33
Stockage et transport	33
Installation	34
Mise en service	35
Adaptation des réglages sur la vanne de commande	36
Programmation de la vanne de commande	39
Calcul de la capacité d'adoucissement	42
Réglage du recouplement	43
Dimensions de la vanne de commande	44
Vue éclatée de la tête de commande avec numéros de pièces	45
Vue éclatée du chapeau avec numéros de pièces	47
Vue éclatée de la vanne de dérivation avec numéros de pièces	49

1. Remarques importantes

Veillez lire entièrement le présent mode d'emploi avant d'installer et d'utiliser l'installation. Les consignes de sécurité doivent impérativement être suivies et respectées.

Nous avons en grande partie préprogrammé l'adoucisseur.

Vérifiez la dureté de votre eau et ajustez la valeur prédéfinie si nécessaire. Une valeur mal réglée peut entraîner des dysfonctionnements ! Le système est livré avec une garantie usine standard de 3 ans. Cette garantie n'est valable que si le système est utilisé conformément à toutes les prescriptions.

2. Consignes de sécurité

L'adoucisseur d'eau doit être installé dans un endroit à l'abri du gel et de l'humidité. Il ne doit pas être installé en extérieur.

Le montage et l'installation ne doivent être effectués que par un personnel qualifié et formé. Les travaux à effectuer sur l'installation d'eau ne peuvent être réalisés que par des entreprises d'installation agréées. Les réglementations locales doivent être strictement respectées. Respectez impérativement les consignes du guide d'installation !

Cet adoucisseur est conçu pour fonctionner uniquement dans le domaine de l'eau potable. Les valeurs limites de l'ordonnance sur l'eau potable (TVO) ne doivent pas être dépassées, en particulier pour le fer (Fe 0,2 mg/L) et le manganèse (Mn 0,05 mg/L).

Une utilisation non conforme à l'usage prévu n'est pas autorisée. Un filtre à eau doit être installé en amont de l'adoucisseur, notamment pour le protéger contre l'encrassement et l'envasement.

Il est également recommandé d'utiliser un filtre de protection derrière l'installation, car la résine échangeuse d'ions pourrait être rincée en cas de dommage mécanique ou de défaut de matériau.

La pression d'eau autorisée se situe entre 2,0 et 6,0 bars. Si la pression d'eau disponible est supérieure à la valeur limite, un réducteur de pression doit être utilisé.

Pour éviter les dommages causés par l'eau, un drain ouvert doit être disponible près du site d'installation. Si ce n'est pas possible, installez un dispositif anti-retour en amont du drain pour empêcher le reflux des eaux usées.

L'emplacement d'installation doit être plat, sec et exempt de sources de chaleur, avec une température comprise entre +5 °C et +40 °C. Assurez-vous que l'appareil est stable et ne peut pas basculer.

Dans les systèmes avec du cuivre et du zinc, une eau trop douce peut provoquer de la corrosion. Pour une dureté de l'eau supérieure à 15 °dH, il est recommandé de maintenir une dureté résiduelle de 3 à 5 °dH. L'adoucisseur d'eau Aqmos adoucit l'eau à 0 °dH par défaut, mais cela peut être facilement ajusté à l'aide de la vis de mélange.

Vérifiez si un dispositif de prévention du reflux est nécessaire pour l'alimentation en eau selon les réglementations nationales. En cas de doute, contactez votre fournisseur d'eau.

3. Domaines d'application

Domaine d'application : Eau potable

Utilisation prévue : Réduction de la dureté de l'eau (calcium / magnésium)

Raccordement de l'installation : Entrée : 230 V / 50 Hz Sortie : 24 V / 50 Hz

Température ambiante : min. +5 °C / max. +40 °C

Température de l'eau : min. +5 °C / max. +30 °C

Pression de service : min. 2 bar / max. 6 bar

Humidité de l'air : 60 % max.

Sel : selon DIN 19604, DIN EN 973 type A

Protégé contre les éclaboussures : non

Ions perturbateurs : Chlore, fer, manganèse

4. Sel régénérant

L'installation ne doit être utilisée qu'avec des pastilles de sel de haute pureté (NaCl) selon la norme DIN 10604 DIN EN 973 type A. (degré de pureté)

L'utilisation d'autres sels (sel de déneigement, sel de cassure) peut entraîner un encrassement de l'installation et provoquer des dommages importants. Veuillez utiliser exclusivement du sel régénérant.

5. Informations sur les dangers

Danger dû à l'énergie électrique - risque d'électrocution !

Toujours débrancher la fiche secteur avant d'effectuer des travaux sur l'installation !

En cas d'endommagement de l'isolation des câbles ou des composants électriques, ceux-ci doivent être immédiatement remplacés.

Danger dû à la pression de l'eau !

Avant d'intervenir sur l'installation, toujours relâcher la pression et couper l'eau au niveau du bloc de montage. Pour ce faire, fermez d'abord les vannes extérieures, puis ouvrez la vanne de dérivation centrale. S'il n'y a pas de bloc de montage, fermez la vanne principale et libérez la pression via un point de puisage situé le plus bas possible dans le réseau de distribution d'eau.

Danger de contamination !

Adapter l'installation à la consommation d'eau réelle afin de garantir un débit suffisant. En cas de non-utilisation prolongée, l'installation doit être correctement mise hors service par une entreprise spécialisée. Ne désactiver en aucun cas la régénération forcée.

6. Maintenance / Service

Le bon fonctionnement de l'installation doit être contrôlé régulièrement par l'exploitant. Un entretien annuel par une entreprise spécialisée est recommandé pour garantir le bon fonctionnement d'un point de vue technique - en s'appuyant sur la norme DIN 1988 partie 8.

Les défauts ou les dysfonctionnements doivent être éliminés immédiatement.

L'exploitant doit s'assurer qu'il y a toujours une quantité suffisante de sel dans l'installation afin de garantir le bon fonctionnement de cette dernière.

7. Stockage et transport

L'installation ne doit être transportée que dans son emballage d'origine. Le stockage ne doit s'effectuer qu'à l'abri du gel, à l'écart de sources de chaleur importantes et en position debout. Il faut veiller à respecter le sens de positionnement indiqué sur l'emballage extérieur.

8. Installation

La mise en place de l'installation doit être conforme aux normes et réglementations en vigueur.

Raccordement du bloc de montage

Avant de commencer les travaux, veuillez fermer la vanne d'arrêt principale.

Ouvrez ensuite un point d'eau situé derrière et libérez la pression d'eau résiduelle.

Le bloc de montage doit être installé dans la ligne d'installation après le compteur d'eau, le filtre à eau et, le cas échéant, le réducteur de pression.

Faites impérativement attention au sens d'écoulement du bloc de montage (flèche apposée sur le bloc de montage).

Placez le robinet de contrôle (à l'avant) et le bouchon (à l'arrière) en fonction du sens de l'écoulement.

Fermez les deux vannes extérieures du bloc de montage. Ouvrez ensuite la vanne de dérivation centrale. La vanne d'arrêt principale peut alors être rouverte. L'eau s'écoule maintenant par la dérivation du bloc de montage. Vérifier l'étanchéité.

Raccordement eaux usées

Un raccordement à l'égout doit se trouver à proximité du lieu d'installation. Vous pouvez poser le tuyau d'évacuation des eaux usées à une hauteur maximale de 120 cm à partir du raccord d'évacuation de l'installation. La longueur doit être de 6 mètres maximum et la pente doit être minimale.

Raccordez le tuyau d'évacuation (diamètre 12 mm) à la tubulure de vidange (à l'arrière de la tête de commande) de la vanne de commande. Fixez le raccord à l'aide d'un collier de serrage.

Raccordez le tuyau de trop-plein au trop-plein du boîtier de l'armoire (à l'arrière du réservoir de sel).

Acheminez les extrémités des tuyaux vers le raccord du canal (les deux séparément, ne les reliez pas avec une pièce en T). Risque de refoulement !). Utilisez une sortie ouverte et/ou un clapet anti-retour (risque de refoulement). Fixez suffisamment les tuyaux (risque de dérapage dû aux coups de bélier).

Raccordement d'un adoucisseur d'eau

Aligner l'installation au niveau du sol à l'endroit souhaité. Veillez à ce que le sol soit de niveau et propre. Les gravats ou les pierres peuvent endommager le boîtier de l'armoire.

Reliez les raccords de la vanne de commande (filetage extérieur 3/4") aux raccords du bloc de montage (filetage extérieur 1") à l'aide de tuyaux flexibles blindés. Pour ce faire, veuillez utiliser les joints plats de 3/4". Faites impérativement attention à l'entrée et à la sortie (flèches) des raccords sur l'installation et le bloc de montage (risque de confusion !).

Ouvrez les vannes d'arrêt rouges sur la vanne de commande (elles doivent être mutuellement parallèles).

Vérifier que toutes les connexions sont bien fixées.

Ne mettez pas encore de sel dans le boîtier de l'armoire !

Ouvrez les deux vannes extérieures du bloc de montage, ce n'est qu'ensuite qu'il convient de fermer la vanne de dérivation centrale. L'eau passe alors dans l'adoucisseur.
Vérifiez l'étanchéité de toutes les connexions.

9. Mise en service

- Remplissez environ 15 litres dans le boîtier de l'armoire (jusqu'à environ 25 cm de hauteur). Après la première régénération, le niveau d'eau optimal est atteint dans le réservoir de sel.
- Vérifier le serrage de la conduite de saumure (moyenne 3/8") entre la vanne de commande et le robinet à flotteur.
- Raccorder la vanne de commande au réseau électrique. L'écran LCD clignote et affiche l'heure et la capacité restante.
- Effectuez maintenant une régénération manuelle. Pour ce faire, tournez le grand bouton rotatif de la vanne de commande dans le sens des aiguilles d'une montre de la position « SERV. » sur la position « BA. WA. ». L'écran affiche

BACKWASH

L'installation procède alors à une régénération manuelle.

Le rétrolavage (backwash) commence alors.
Le temps restant s'affiche sur la ligne inférieure de l'écran.

Une fois le temps restant écoulé, le bouton se tourne sur la position « BRINE » (saumurage).
L'écran affiche

BRINE

L'installation procède alors au saumurage de la résine adoucissante.

Après le saumurage, l'installation exécute encore les étapes « RINSE » (rinçage) et « REFILL » (remplissage du réservoir de saumure).

Veillez à ce que l'installation n'aspire pas d'air par le tuyau de saumure, vérifiez les raccords du tuyau de saumure, le cas échéant.

Attendez la fin de la régénération manuelle (environ 45 minutes).

- L'installation a maintenant rincé la résine d'adoucissement et pompé la quantité d'eau appropriée dans le réservoir de saumure.

- Remplissez maintenant le réservoir de saumure de pastilles de sel jusqu'à ce qu'il soit plein. Il faut compter environ 4 à 6 heures pour que le sel se dissolve dans l'eau jusqu'à la concentration maximale et qu'une saumure se forme. Dans ce cas, le niveau de remplissage des pastilles de sel diminue. N'ajoutez pas d'eau !
- Il est maintenant possible de procéder aux réglages de la vanne de commande. (l'installation est entièrement (préréglée par nos soins) Il suffit de régler l'heure et la capacité

10. Adaptation des réglages sur la vanne de commande

La vanne de commande est commandée par un système électronique facile à utiliser via un écran LCD.

En mode de fonctionnement normal, l'heure actuelle et la capacité restante jusqu'à la régénération suivante s'affichent.

La capacité est affichée en T (tonnes). Une tonne correspond à 1000 litres ou 1 m³ d'eau.

Nous avons déjà réglé la vanne de régulation sur le mode "Mode Volume avec Régénération Forcée" (meter override). La dureté de l'eau à éliminer doit être adaptée à la dureté présente chez vous. Le mode de fonctionnement ne doit pas être modifié afin d'éviter toute contamination par des germes.

Toutes les valeurs ci-dessous sont déjà préréglées pour vous !

Paramètres		Options	Description
1	LANGUE	<u>ANGLAIS</u> entre autres	Sélectionner la langue du menu (anglais, espagnol, turc, polonais, français, russe)
2	RÉGION	<u>MÉTRIQUE</u>	Sélection de l'unité
		US	Gallons (US) ou tonnes (1 tonne = 1000 l)
3	MODE RÉGÉNÉRATION	CALENDAR CLOCK	Dans ce mode, le système se régénère après un nombre de jours programmés à une heure fixe. La quantité d'eau consommée pendant cette période <u>n'est pas</u> prise en compte. Abréviation à l'écran : CC (Calendar Clock)

		<p>METER IMMEDIATE</p>	<p>Dans ce mode, l'installation se régénère après avoir atteint un volume d'eau programmé. Une fois le volume défini atteint, la régénération s'effectue <u>immédiatement</u>.</p> <p>Abréviation à l'écran : MI (Meter Immediate)</p>
		<p>METER DELAY</p>	<p>Dans ce mode, l'installation se régénère après avoir atteint un volume d'eau programmé. Une fois le volume défini atteint, la régénération s'effectue à une heure précise (<u>retardée</u>).</p> <p>Abréviation à l'écran : MD (Meter Delay)</p>
		<p><u>METER OVERRIDE</u></p>	<p>Dans ce mode, l'installation se régénère après avoir atteint un volume d'eau programmé.</p> <p>Une fois le volume défini atteint, la régénération s'effectue à une heure précise (retardée). De plus, une régénération forcée est déclenchée à l'issue d'un nombre de jours prédéfini, indépendamment du volume consommé. Celle-ci prévient la formation de germes dans l'installation lorsqu'il n'y a pas de consommation d'eau (par exemple pendant les vacances).</p> <p>Abréviation à l'écran : MO (Meter Override)</p>
4	TIME		Vous réglez l'heure ici.
5	REG. TIME (JOURS DE RÉGÉNÉRATION)	2:00	Saisissez ici l'heure à laquelle l'installation doit se régénérer. Nous recommandons 2 heures du matin, car l'eau est rarement consommée à cette heure-là.
6	REG. DAYS (JOURS DE RÉGÉNÉRATION)	7	Saisissez ici le nombre de jours à l'issue desquels l'installation doit se régénérer (uniquement en mode « Calendar Clock » et « Meter Override »).

7	REG. CAP.	R2D2-32 = 1,45 to. R2D2-48 = 2,10 to. R2D2-72 = 3,20 to.	La capacité d'adoucissement est définie ici. La capacité est calculée en fonction de la dureté de l'eau présente et de la quantité de résine adoucissante ainsi que du recoupement souhaité au niveau de la vanne de commande.
8	BACKWASH (rétrolavage)	R2D2-32 = 1 min R2D2-48 = 1 min R2D2-72 = 2 min	Durée du rétrolavage de la résine adoucissante en minutes. Le rétrolavage permet de nettoyer la résine. <u>Ne pas modifier cette valeur.</u>
9	BRINE (saumurage)	R2D2-32 = 28 min R2D2-48 = 35 min R2D2-72 = 40 min	Durée du saumurage de l'adoucisseur en minutes. Le saumurage permet de régénérer la résine et de lui redonner sa capacité d'adoucissement initiale. <u>Ne pas modifier cette valeur.</u>
10	RINSE (rinçage)	R2D2-32 = 2 min R2D2-48 = 2 min R2D2-72 = 3 min	Durée du rinçage de la résine adoucissante en minutes. Le rinçage permet d'éliminer les derniers résidus de saumure et, le cas échéant, les salissures dans le lit de résine. <u>Ne pas modifier cette valeur.</u>
11	REFILL (remplir le réservoir de saumure)	R2D2-32 = 3,2 min R2D2-48 = 4,8 min R2D2-72 = 7,2 min	Durée du remplissage du réservoir de saumure en minutes. Avec le remplissage, le réservoir de saumure se remplit à nouveau d'eau, permettant la formation d'une nouvelle saumure jusqu'au prochain processus de régénération. <u>Ne pas modifier cette valeur.</u>
12	LOAD DEFAULT (réinitialiser sur le réglage usine)		Réinitialisation de tous les paramètres. L'installation est déjà programmée sur des valeurs allemandes. En cas de réinitialisation, celles-ci sont également écrasées. <u>Ne pas activer cette fonction.</u>

Le mode « mode volume avec régénération forcée » (Meter Override) recommandé pour les utilisateurs européens a déjà été pré-réglé et ne doit pas être modifié.

Pour un fonctionnement correct dans ce mode, seuls quelques réglages sont à effectuer.

Réglage de l'heure

Cela permet d'effectuer la régénération à l'heure souhaitée (préréglage : 2:00 du matin).

Réglage des jours avant l'exécution d'une régénération forcée

Nous avons pré-réglé la régénération forcée à 7 jours pour des raisons d'hygiène (Peut également être augmenté à 10 jours pour un fonctionnement plus efficace).



Réglage de la capacité d'adoucissement

En fonction de la taille de l'installation (quantité de résine adoucissante) et de la dureté de l'eau, la capacité doit être calculée et saisie. **Voir chapitre 12**


Vérification de tous les paramètres



Vérifiez que tous les paramètres correspondent à la taille de l'installation.

11. Programmation de la vanne de commande en mode « mode volume avec régénération forcée » (Meter Override)

Appuyez sur la touche «  » pendant 3 secondes pour déverrouiller le clavier (unlock screen). Appuyez sur la touche «  » pour accéder au menu.

L'écran affiche « LANGUE ».


Appuyez sur la touche «  ». L'affichage se met à clignoter.


Sélectionnez le mode « ENGLISH » à l'aide des touches «  » et «  ».

Enregistrez cette saisie en appuyant sur la touche «  ».

En appuyant sur la touche «  », vous passez au point suivant.

L'écran affiche « REGION METRIC » ou « REGION US ».

Appuyez sur la touche «  ». L'affichage se met à clignoter.

Sélectionnez le mode « REGION METRIC » à l'aide des touches «  » et «  ».

Enregistrez cette saisie en appuyant sur la touche «  ».

En appuyant sur la touche «  », vous passez au point suivant.

L'un des modes suivants s'affiche : « METER DELAY », « METER OVERRIDE », « METER IMMEDIATE »,

« CALENDAR CLOCK ».

Appuyez sur la touche « ■ ». L'affichage se met à clignoter.

Sélectionnez le mode « METER OVERRIDE » à l'aide des touches « ▲ » et « ▼ ».

Enregistrez la saisie en appuyant sur la touche « ■ ».

En appuyant sur la touche « ▼ », vous passez au point suivant.

Vous verrez l'affichage suivant : « TIME » (heure actuelle).

Appuyez sur la touche « ■ ». L'affichage se met à clignoter.

Sélectionnez l'heure à l'aide des touches « ▲ » et « ▼ ».

Enregistrez la saisie en appuyant sur la touche « ■ ».

Le réglage des minutes clignote alors.

Sélectionnez la minute à l'aide des touches « ▲ » et « ▼ ».

Enregistrez cette saisie en appuyant sur la touche « ■ ».

En appuyant sur la touche « ▼ », vous passez au point suivant.

Vous verrez l'affichage suivant : « REG. TIME ».

Appuyez sur la touche « ■ ». L'affichage se met à clignoter.

Sélectionnez l'heure à l'aide des touches « ▲ » et « ▼ ».

(Nous recommandons « 2 »)

Enregistrez cette saisie en appuyant sur la touche « ■ ».

Le réglage des minutes clignote alors.

Sélectionnez les minutes à l'aide des touches « ▲ » et « ▼ ».

(Nous recommandons « 0 »)

Enregistrez cette saisie en appuyant sur la touche « ■ ».

En appuyant sur la touche « ▼ », vous passez au point suivant.

Vous verrez l'affichage suivant : « REG. DAYS ».

Appuyez sur la touche « ■ ». L'affichage se met à clignoter.

Sélectionnez les jours à l'aide des touches « ▲ » et « ▼ ».

(Nous recommandons « 07 »)

Enregistrez cette saisie en appuyant sur la touche « ■ ».

En appuyant sur la touche « ▼ », vous passez au point suivant.

Vous verrez l'affichage « REG. CAP. ».

Appuyez sur la touche « ■ ». L'affichage se met à clignoter.

Sélectionnez la capacité en tonnes (= 1000 litres) à l'aide des touches « ▲ » et « ▼ ».

Saisissez ici la valeur du volume figurant dans le tableau de la page 42.

Enregistrez cette saisie en appuyant sur la touche « ■ ».

Le réglage de la capacité en litres clignote maintenant.

Sélectionnez la capacité en litres à l'aide des touches « ▲ » et « ▼ ».

Saisissez ici la valeur après la virgule du tableau de la page 42.

Enregistrez cette saisie en appuyant sur la touche « ■ ».

En appuyant sur la touche « ▼ », vous passez au point suivant.

Vous verrez l'affichage suivant : « BACKWASH ».

Appuyez sur la touche « ■ ». L'affichage se met à clignoter.

Sélectionnez le temps en minutes qui convient à votre installation à l'aide des touches « ▲ » et « ▼ » :

R2D2-32: 01 min.

R2D2-48: 01 min.

R2D2-72: 01 min.

Enregistrez cette saisie en appuyant sur la touche « ■ »

En appuyant sur la touche « ▼ », vous passez au point suivant.

Vous verrez l'affichage suivant : « BRINE ».

Appuyez sur la touche « ■ ». L'affichage se met à clignoter.

Sélectionnez le temps en minutes qui convient à votre installation à l'aide des touches « ▲ » et « ▼ » :

R2D2-32: 02 min.

R2D2-48: 02 min.

R2D2-72: 03 min.

Enregistrez cette saisie en appuyant sur la touche « ■ ».

Vous verrez l'affichage suivant : « RINSE ».

Appuyez sur la touche « ■ ». L'affichage se met à clignoter.

Sélectionnez le temps en minutes qui convient à votre installation à l'aide des touches « ▲ » et « ▼ » :

R2D2-32: 02 min.

R2D2-48: 02 min.

R2D2-72: 03 min.

Enregistrez cette saisie en appuyant sur la touche « ■ ».

En appuyant sur la touche « ▼ », vous passez au point suivant.

Vous verrez l'affichage suivant : « REFILL ».

Appuyez sur la touche « ■ ». L'affichage se met à clignoter.

Sélectionnez le temps en minutes qui convient à votre installation à l'aide des touches « ▲ » et « ▼ » :

R2D2-32: 03.2 min.

R2D2-48: 04.8 min.

R2D2-72: 07.2 min.

Enregistrez cette saisie en appuyant sur la touche « ■ ».

Appuyez sur la touche « □ » pour quitter la programmation.

Votre adoucisseur d'eau est maintenant entièrement programmé et prêt à fonctionner.

12. Calcul de la capacité d'adoucissement

Selon la quantité de résine adoucissante utilisée, un adoucisseur peut adoucir une quantité d'eau différente.

La dureté de l'eau brute affecte également considérablement la capacité d'une installation.

Ces deux valeurs doivent être connues et enregistrées dans la vanne de commande afin de garantir un fonctionnement aussi économique et correct que possible de l'installation.

Utilisez un instrument de mesure de la dureté totale pour déterminer facilement la dureté de l'eau brute présente. Vous pouvez également consulter les informations relatives à la dureté de l'eau fournies par votre fournisseur d'eau (par exemple sur son site Internet).

Vous pouvez calculer vous-même les valeurs du tableau ci-dessous si nécessaire :

Exemple :

32 : 20°dH = 1200 l d'eau douce

48 : 20°dH = 1800 l d'eau douce

72 : 10°dH = 5400 l d'eau douce

		R2D2-32	R2D2-48	R2D2-72
°dH	°fH			
5	9	4,80 T	7,20 T	10,80 T
6	11	4,00 T	6,00 T	9,00 T
7	12	3,40 T	5,10 T	7,70 T
7,5	13	3,20 T	4,80 T	7,20 T
8	14	3,00 T	4,50 T	6,70 T
9	16	2,60 T	4,00 T	6,00 T
10	18	2,40 T	3,60 T	5,40 T
11	20	2,10 T	3,20 T	4,90 T
12	21	2,00 T	3,00 T	4,50 T
13	23	1,80 T	2,70 T	4,10 T
14	25	1,70 T	2,50 T	3,80 T
15	27	1,60 T	2,40 T	3,60 T
16	29	1,50 T	2,20 T	3,30 T
17	30	1,40 T	2,10 T	3,10 T
18	32	1,30 T	2,00 T	3,00 T
19	34	1,20 T	1,90 T	2,80 T
20	36	1,20 T	1,80 T	2,70 T
21	37	1,10 T	1,70 T	2,50 T
22	39	1,00 T	1,60 T	2,40 T
23	41	1,00 T	1,50 T	2,30 T
24	43	1,00 T	1,50 T	2,20 T
25	45	0,90 T	1,40 T	2,10 T
26	46	0,90 T	1,30 T	2,00 T
27	48	0,80 T	1,30 T	2,00 T
28	50	0,80 T	1,20 T	1,90 T
29	52	0,80 T	1,20 T	1,80 T
30	54	0,80 T	1,20 T	1,80 T

13. Réglage du recouplement

L'appareil adoucit l'eau brute à 0 °dH.

Nous recommandons de suivre les conseils des fabricants d'appareils tels que les chauffe-eaux. Si une dureté de l'eau spécifique est mentionnée, il peut être nécessaire de mélanger l'eau adoucie avec de l'eau brute jusqu'à la dureté recommandée.

Possibilité 1 - Vanne de mélange intégrée sur la tête de commande

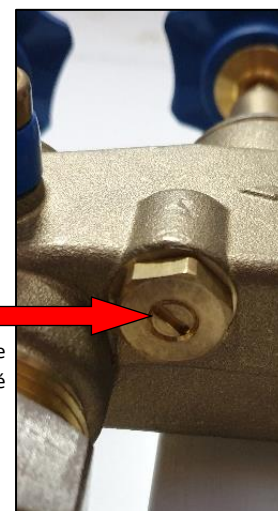


En tournant la vis de réglage, vous modifiez le recouplement avec l'eau brute.

Rotation dans le sens des aiguilles d'une montre : La dureté de l'eau augmente.

Rotation dans le sens inverse des aiguilles d'une montre : La dureté de l'eau diminue.

Possibilité 2 - Vis à fente sur le bloc de montage



Vis à fente pour le réglage de la dureté résiduelle

En tournant la vis à fente, vous modifiez également le recouplement avec l'eau brute.

Rotation dans le sens inverse des aiguilles d'une montre : La dureté de l'eau augmente.

Rotation dans le sens des aiguilles d'une montre : La dureté de l'eau diminue.

**Nous recommandons le recouplement par le bloc de montage.
Le résultat est plus précis. De plus, le bloc de montage est en laiton et donc plus robuste.**

Contrôlez la dureté de l'eau sur un point d'eau (robinet de prélèvement sur le bloc de montage) à proximité de l'installation à l'aide d'un instrument de mesure de la dureté de l'eau (solution de titration).

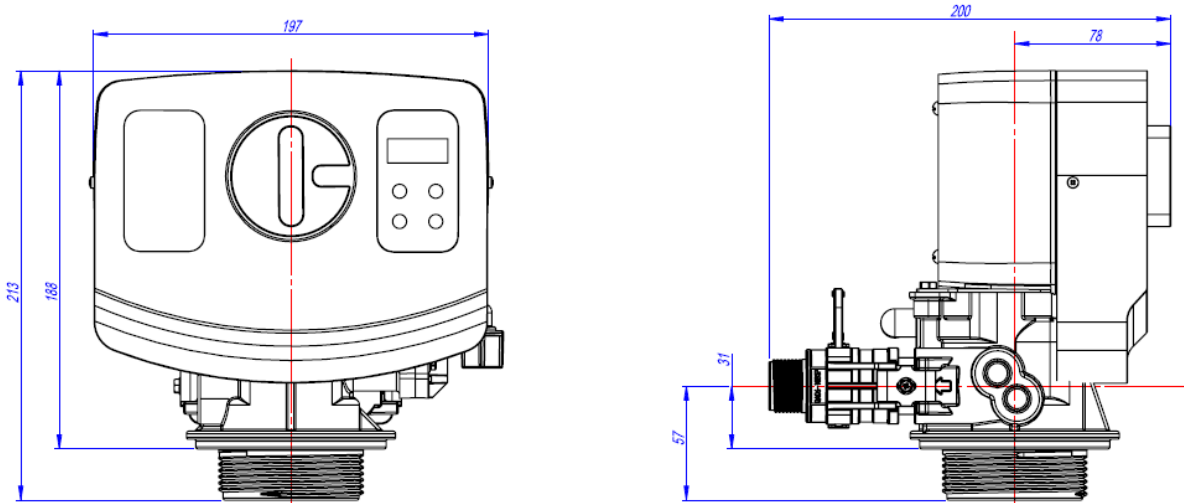
Laissez l'eau couler en permanence au point d'eau. Mesurez la dureté de l'eau uniquement avec de l'eau froide (l'eau chaude passe par le chauffage et ne s'adoucit que progressivement).

La mesure de la nouvelle dureté de l'eau peut prendre un certain temps, en fonction de la distance par rapport au point d'eau. (Veuillez donc mesurer directement au niveau du robinet de prélèvement sur le bloc de montage)

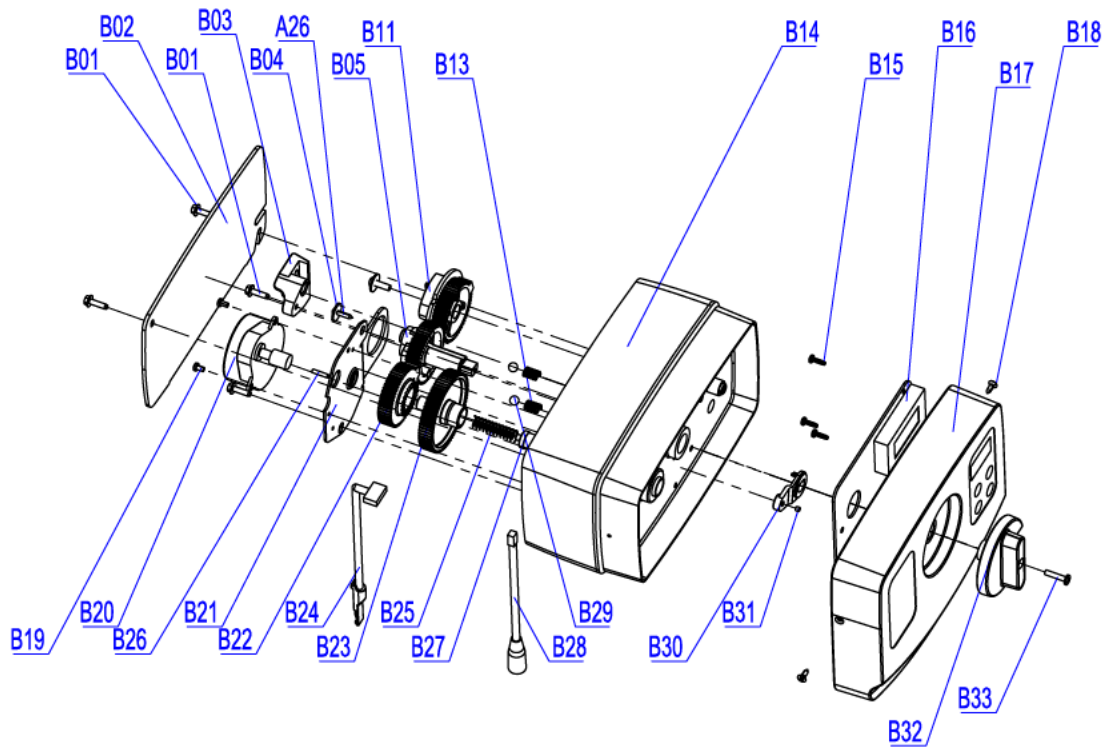
Le mieux est de laisser couler un robinet à moitié vide le plus proche et de régler la dureté de l'eau.

14. Dessins

Dimensions de la vanne de commande



Vue éclatée de la tête de commande BNT1650

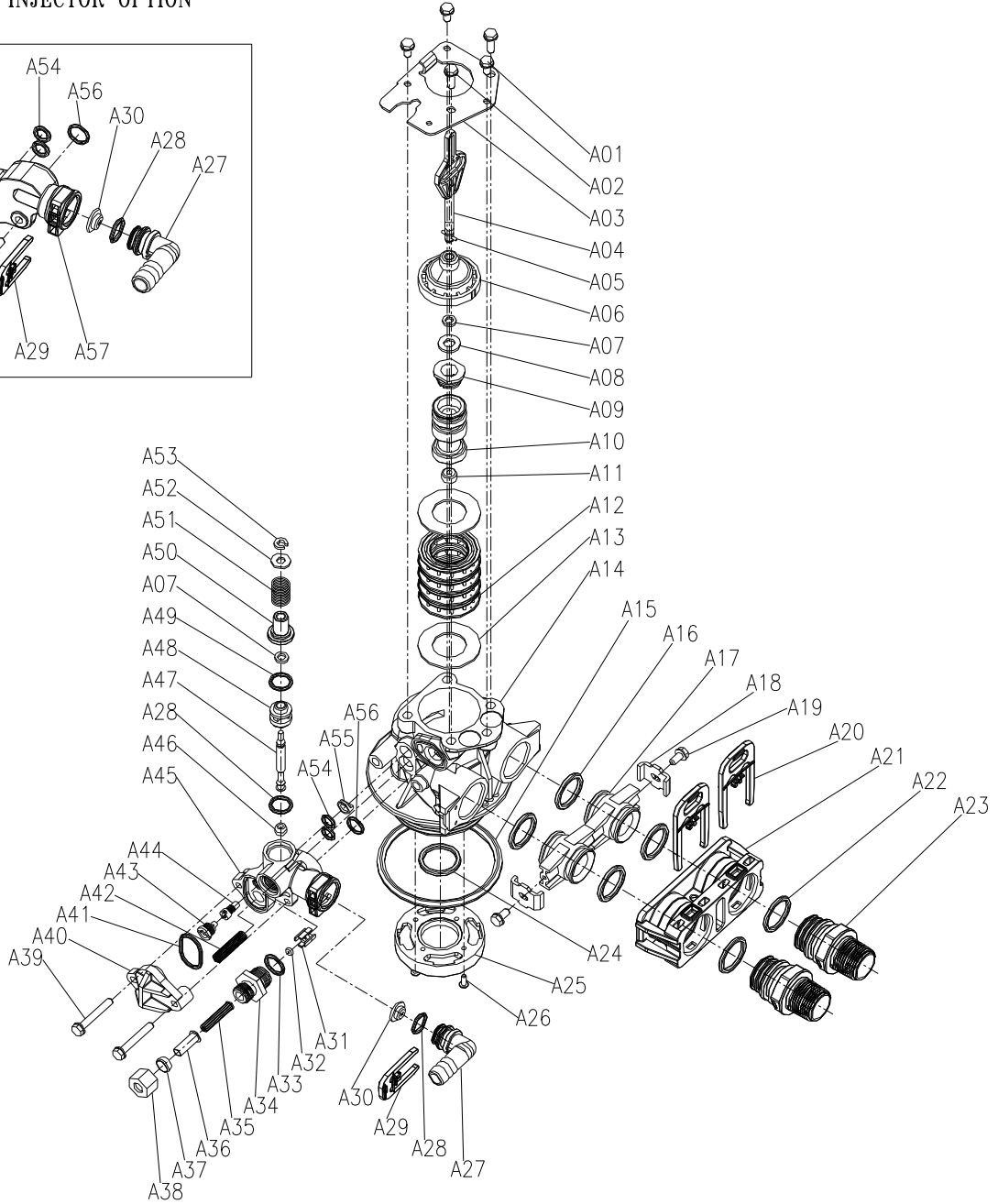
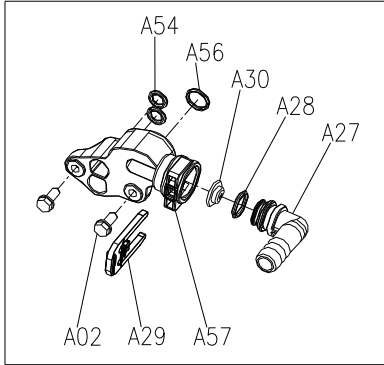


Liste des pièces de rechange BNT-1650

	N° de pièce	Description de la pièce	Quantité
B01	05056136	Vis-ST3.5x13 (hexagone avec rondelle)	4
B02	05056014	Couvercle arrière Bnt65	1
B03	05010045	Support de tige de piston	1
A26	13000426	Vis-ST2.9x13 (grande plaquette)	1
B04	05056139	Rondelle-3x13	1
B05	05056005	Mécanisme principal	1
B06	05056083	Vis M4x14	1
B07	05056166	Vis-ST4.2x12 (grande plaquette)	1
B08	05056141	Rondelle-4x12	1
B09	13111004	Rondelle-4x9	1
B10	05056016	Régulateur de remplissage	1
B11	05056015	Mécanisme de saumure	1
B12	05056089	Écrou-M4	1
B13	05056095	Détente ressort	2
B14	05056001	Boîtier Bnt65	1
B15	05010037	Vis-ST2.9x10	5
B16	05056504	Pcb Bnt165	1
B17	05056500	Couvercle avant Bnt165	1
	05056505	Étiquette de performance Bnt165	1
	05056506	Étiquette de régén. Bnt165	1
	3010019582	Étiquette de code QR	1
B18	05056509	Vis-ST2.9x10 (CSK)	2
B19	05056082	Vis-M3x5	2
B20	05056510	Moteur-12 V/2 t/min	1
	11700005	Connecteur à fil	2
B21	05056045	Plaque de montage du moteur	1
B22	05056501	Mécanisme d'entraînement Bnt165	1
A04	05010081	Tige de piston Bnt65	1
B23	05056002	Mécanisme de ralenti	1
B24	05010031	Assemblage du compteur	1
	05010046	Décharge de traction du compteur	1
B25	05056094	Tendeur à ressort	1
B26	05056098	Broche moteur	1
B27	05056502	Retenue du ressort	1
B28	05056507	Câble d'alimentation Bnt165	1
	05056013	Décharge de traction puissance Bnt65	1
B29	05056092	Balle de 1/4 de pouce	2
B30	05056503	Porte-aimant	1
B31	05010023	Aimant-3x2.7	1
B32	05056008	Bouton Bnt65	1
	05056111	Étiquette de bouton Bnt65	1
B33	05056084	Vis-ST3.5x13	1

Vue éclatée du chapeau BNT-1650

FILTER INJECTOR OPTION

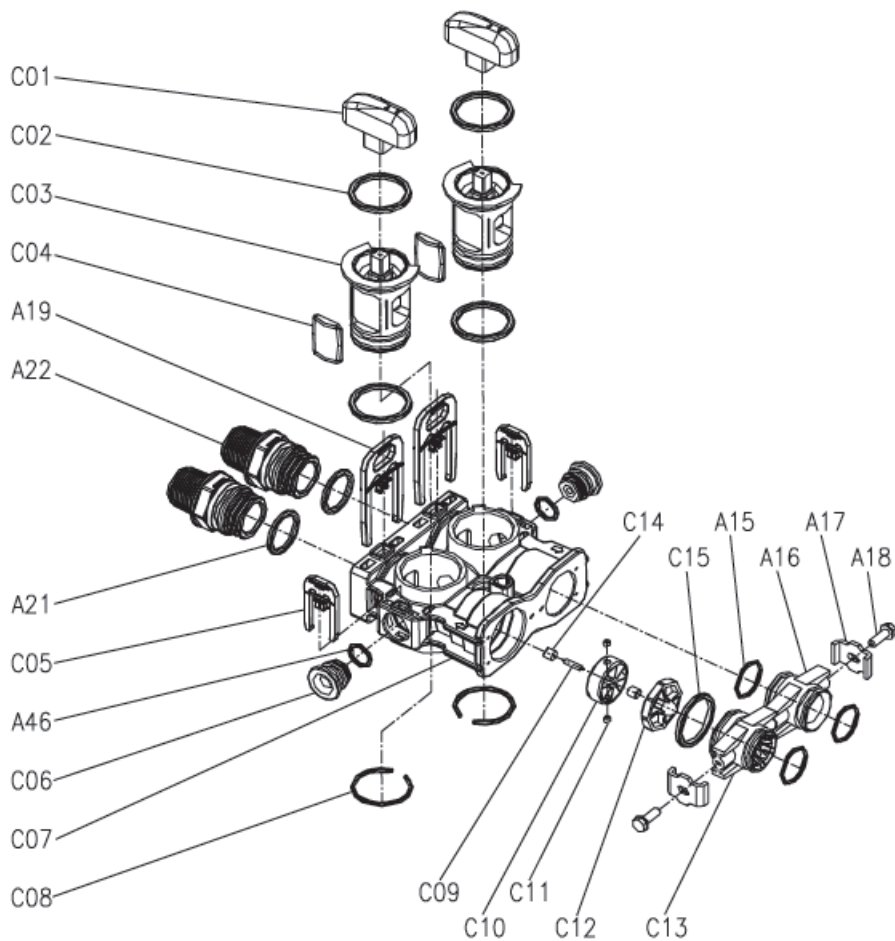


Liste de pièces de rechange pour le chapeau BNT-1650

N° d'article	N° de pièce	Description de la pièce	Quantité
A01	05056087	Vis M5x12 (hexagone)	3
A02	05056088	Vis M5x16 (hexagone avec rondelle)	2
A03	05056047	Retenue de bouchon	1
A04	05010081	Tige de piston Bnt65	1
A05	05056097	Axe du piston	1
A06	05056023	Bouchon	1
A07	05056070	Joint quadruple	2
A08	05056024	Rondelle de bouchon	1
A09	05056022	Retenue du piston	1
A10	05056181	Piston (électrique)	1
A11	05056104	Silencieux	1
A12	05056021	Espaceur	4
A13	05056073	Joint	5
A14	05056019	Corps de vanne Bnt65	1
A15	05056063	Joint torique q78.74x5.33	1
A16	05056129	Joint torique q23x3	4
A17	05056025	Couplage d'adaptateur	2
A18	05056044	Clip d'adaptation	2
A19	05056090	Vis ST4.2x13 (hexagone avec rondelle)	2
A20	21709003	Clip de sécurité	2
A21	05056140	Connecteur de vanne	1
A22	05056065	Joint torique q23.6x2.65	2
A23	21319006	Adaptateur à vis	2
A24	26010103	Joint torique q25x3.55	1
A25	07060007	Connecteur de vanne inférieur	1
A26	13000426	Vis ST2.9x13 (grande plaquette)	2
A27	05010082	Raccord de drainage-B	1
A28	05056134	Joint torique 12x2	2
A29	05056172	Clip de sécurité S	1
A30	05056186	DLFC-2#	1
A31	05056035	Bouton de retenue BL F C	1
A32	05056191	BL F C-2#	1
A33	05056138	Joint torique 14x1.8	1
A34	05056100B	Raccord BL F C	1
A35	05056106	Écran ligne saumure	1
A36	05056107	Insert de tube BL F C	1
A37	05056033	BL F C Femule	1
A38	05056108	Écrou de raccord BL F C	1
A39	05056066	Vis M6x30 (hexagone avec rondelle)	2
A40	05056029	Couvercle d'injecteur	1
A41	05056072	Joint torique q24x2	1
A42	05056103	Écran d'injecteur	1
A43	05056027	Buse d'injecteur	1
A44	05056028	Venturi d'injecteur	1
A45	05056177	Corps d'injecteur-B	1
A46	05056075	Siège d'injecteur	1

A47	05056054	Espaceur d'injecteur	1
A49	05056081	Joint torique 12.5x1.8	1
A50	05056030	Couvercle d'injecteur	1
A51	05056093	Écran d'injecteur	1
A52	05010049	Rondelle spéciale	1
A53	05056105	Anneau de retenue	1
A54	05056067	Joint torique 7.8x1.9	2
A55	05056037	Disperseur d'air	1
A56	05056066	Joint torique 11x2	1
A57	05056165	Corps d'injecteur (filtre)	1

Vue éclatée de la vanne de dérivation



Liste des pièces de rechange de la vanne de dérivation BNT-1650

N° d'article	N° de pièce	Description de la pièce	Quantité
C01	05056147	Bouton de dérivation	2
C02	26010028	Joint torique 28x2.65	4
C03	05056148	Bouchon de dérivation	2
C04	05056149	Joint de dérivation	2
A20	21709003	Clip de sécurité	2
A23	21319006	Vis d'adaptation	2
A22	05056065	Joint torique 23.6x2.65	2
C05	05056172	Clip de sécurité S	2
A48	05056134	Joint torique 12x2	1
C06	05056146	Cloison	2
C07	05056145	Corps de dérivation	1
C08	05056150	Collier 32x2.5	2
C09	05010079	Broche de turbine	1
C10	05010014	Turbine	1
C11	05010078	Aimant 4x3	2
C12	05010077	Support de turbine	1
C13	05010083	Distributeur d'adaptation	1
C14	05010019	Porte-broche	2
C15	26010046	Joint torique 27x3	1
A16	05056129	Joint torique 23x3	3
A17	05056025	Couplage d'adaptateur	1
A18	05056044	Clip d'adaptation	2
A19	05056090	Vis-ST4.2x13 (hexagone avec rondelle)	2

Données techniques

Pression de service : 2,0 bar à 6,0 bar
 Température ambiante : +5 °C à +40 °C
 Raccordement de l'installation : Entrée : 230 V / 50 Hz -- Sortie : 25 V / 50 Hz
 Filetage vers le réservoir sous pression : 2.5" NPSM
 Taille de raccord Entrée/sortie : 3/4"

Instrucciones de uso

Instrucciones de programación

Regeneración retrasada controlada por volumen
200 g salado >Corriente continua<
R2D2- 32 / 48m / 72



Sistema de ablandamiento de agua R2D2
Capacidad 32, 48 y 72
con válvula de control BNT 1650

Índice

Notas importantes	52
Instrucciones de seguridad	52
Áreas de aplicación	53
Sal regeneradora	54
Indicaciones de peligros	54
Mantenimiento / Servicio	54
Almacenamiento y transporte	54
Instalación	54
Puesta en servicio	56
Ajuste de la válvula de control	57
Programación de la válvula de control	60
Cálculo de la capacidad de ablandamiento	63
Ajuste de la intersección	64
Dimensiones de la válvula de control	66
Despiece del cabezal de control con números de pieza	67
Despiece del cuello de la válvula con números de pieza	69
Despiece de la válvula de derivación con números de pieza	71

1. Notas importantes

Lea detenidamente este manual de instrucciones antes de instalar y utilizar el sistema. Deben seguirse y respetarse las instrucciones de seguridad.

Hemos preprogramado en gran parte el ablandador.

Verifique la dureza de su agua y ajuste el valor preestablecido si es necesario. ¡Un valor mal ajustado puede causar fallos! El sistema incluye una garantía de fábrica estándar de 3 años. Esta garantía solo es válida si el sistema se utiliza de acuerdo con todas las regulaciones.

2. Instrucciones de seguridad

El sistema de ablandamiento de agua debe instalarse en un lugar protegido de las heladas y de la humedad. No debe instalarse en el exterior.

El montaje y la instalación solo deben ser realizados por personal especializado formado. Los trabajos en la instalación de agua solo pueden ser realizados por empresas instaladoras autorizadas. Deben respetarse estrictamente las normativas locales. Asegúrese de seguir las instrucciones del manual de instalación.

Este sistema de ablandamiento de agua solo está diseñado para funcionar en el sector del agua potable. No deben superarse los valores límite de la Ordenanza sobre agua potable (TVO), especialmente para el hierro (Fe 0,2 mg/L) y el manganeso (Mn 0,05 mg/L).

No se permite ningún uso que no se ajuste a la finalidad prevista. Debe instalarse un filtro de agua delante del sistema de ablandamiento de agua, sobre todo para protegerlo de la contaminación y el enlodamiento.

También se recomienda usar un filtro protector aguas abajo del sistema, ya que los daños mecánicos o los defectos del material podrían provocar la expulsión de la resina de intercambio iónico.

La presión de agua admisible es de 2,0 - 6,0 bar. Si la presión del agua existente es superior al valor límite, debe utilizarse un reductor de presión.

Para evitar daños por agua, debe haber un drenaje abierto cerca del lugar de instalación. Si esto no es posible, instale un dispositivo de corte de agua antes del drenaje para evitar el retroceso de aguas residuales.

El lugar de instalación debe ser plano, seco y libre de fuentes de calor, con una temperatura entre +5 °C y +40 °C. Asegúrese de que el dispositivo esté estable y no pueda volcarse.

En sistemas con cobre y zinc, el agua muy suave puede causar corrosión. Para una dureza del agua superior a 15 °dH, se recomienda mantener una dureza residual de 3 a 5 °dH. El descalcificador Aqmos reduce la dureza a 0 °dH por defecto, pero esto se puede ajustar fácilmente con el tornillo de mezcla.

Verifique si se requiere un dispositivo de prevención de retroceso en el suministro de agua según las normativas nacionales. En caso de duda, contacte con su proveedor de agua.

3. Ámbitos de aplicación

Campo de aplicación: Agua potable

Uso previsto: Reducción de la dureza del agua (calcio / magnesio)

Conexión de sistema: Entrada: 230 V / 50 Hz Salida: 24 V / 50 Hz

Temperatura ambiente: mín. +5 °C / máx. +40 °C

Temperatura del agua: mín. +5 °C / máx. +30 °C

Presión de funcionamiento: mín. 2 bar / máx. 6 bar

Humedad: máx. 60

Sal: según DIN 19604, DIN EN 973 tipo A

A prueba de salpicaduras: no

Iones interferentes: cloro, hierro, manganeso

4. Sal regeneradora

El sistema solo puede utilizarse con pastillas de sal fabricadas con sal evaporada de gran pureza (NaCl) según DIN 10604 DIN EN 973 tipo A. (grado de pureza)

El uso de otras sales (sal de carretera, sal triturada) puede contaminar el sistema y causar daños considerables. Utilice únicamente sal regeneradora.

5. Advertencias de peligro

Peligro por energía eléctrica: ¡riesgo de descarga eléctrica!

¡Desconecte siempre el enchufe de la red antes de trabajar en el sistema!

En caso de daños en el aislamiento de los cables o en los componentes eléctricos, sustitúyalos inmediatamente.

¡Peligro debido a la presión del agua!

Antes de trabajar en el sistema, libere siempre la presión y cierre el agua en el bloque de montaje. Para ello, cierre primero las válvulas exteriores y, a continuación, abra la válvula de derivación central. Si no hay un bloque de montaje, cierre la válvula principal y libere la presión a través de un punto de toma situado lo más bajo posible en la red de distribución de agua.

¡Peligro por contaminación!

Ajuste el sistema al consumo real de agua para garantizar un caudal suficiente. Si el sistema no se utiliza durante un periodo de tiempo prolongado, una empresa especializada debe apagarlo correctamente. No desactive la regeneración forzada en ningún caso.

6. Mantenimiento / Servicio

El sistema debe someterse a pruebas periódicas para comprobar su correcto funcionamiento por parte del operario. Se recomienda el mantenimiento anual por parte de una empresa especializada —basado en la norma DIN 1988 Parte 8— para garantizar un funcionamiento técnicamente perfecto. Los defectos o fallos de funcionamiento deben subsanarse inmediatamente.

El operario debe asegurarse de que siempre haya una cantidad suficiente de sal en el sistema para garantizar un funcionamiento correcto.

7. Almacenamiento y transporte

El sistema solo puede transportarse en su embalaje original. Al almacenarlo, debe estar protegido de las heladas, no cerca de fuentes de calor fuertes y en posición vertical. Preste atención a la dirección de colocación indicada en el embalaje exterior.

8. Instalación

La instalación del sistema debe cumplir las normas y reglamentos aplicables.

Conexión bloque de montaje

Antes de empezar a trabajar, cierre la llave de paso principal.

A continuación, abra un grifo situado detrás y libere la presión residual del agua.

El bloque de montaje debe instalarse en la línea de instalación después del contador de agua, el filtro de agua y, si procede, el reductor de presión.

Asegúrese de prestar atención a la dirección de flujo del bloque de montaje (flecha en el bloque de montaje).

Inserte el grifo de comprobación (parte delantera) y el tapón (parte trasera) según el sentido del caudal.

Cierre las dos válvulas exteriores del bloque de montaje. A continuación, abra la válvula de derivación central. A continuación, la válvula de compuerta principal puede abrirse de nuevo. El agua fluye ahora a través de la derivación del bloque de montaje. Compruebe si hay fugas.

Conexión aguas residuales

Debe haber una conexión de aguas residuales cerca del lugar de instalación. Puede colocar la manguera de aguas residuales a un máximo de 120 cm hacia arriba desde la conexión de aguas residuales del sistema. La longitud debe ser de 6 metros como máximo y tener una pendiente mínima.

Conecte la manguera de aguas residuales (diámetro 12 mm) a la toma de desagüe (en la parte posterior del cabezal de control) de la válvula de control. Asegure la conexión con una abrazadera de manguera.

Conecte la manguera de rebose al rebosadero de la carcasa del armario (en la parte posterior del depósito de sal).

Lleve los extremos de las mangueras a la conexión del conducto (ambos por separado, no los conecte con una pieza en T. ¡Peligro de reflujo!). Utilice un grifo abierto y/o una válvula antirretorno (peligro de reflujo). Asegure suficientemente las mangueras (peligro de que se salgan debido a los golpes de presión).

Conexión sistema de ablandamiento

Alinee el sistema en la posición deseada a nivel del suelo. Asegúrese de que el suelo esté nivelado y limpio. Los escombros o las piedras pueden dañar la carcasa del armario.

Conecte las conexiones de la válvula de control (rosca exterior de 3/4") con las conexiones del bloque de montaje (rosca exterior de 1") utilizando mangueras flexibles blindadas. Utilice para ello las juntas planas de 3/4". Preste atención a la entrada y salida (flechas) de las conexiones en el sistema y en el bloque de montaje (¡peligro de confusión!).

Abra las válvulas de cierre rojas de la válvula de control (deben estar paralelas entre sí).

Compruebe la estanqueidad de todas las conexiones.

¡No rellene sal todavía en la carcasa de armario!

Abra las dos válvulas exteriores del bloque de montaje, solo entonces cierre la válvula de derivación central. Ahora el agua pasa por el sistema de ablandamiento.
Compruebe la estanqueidad de todas las conexiones.

9. Puesta en servicio

- Llene aprox. 15 litros en el armario (hasta aprox. 25 cm de altura). Tras la primera regeneración, el nivel óptimo de agua se encuentra en el depósito de sal.
- Compruebe la estanqueidad de la línea de agua salada (3/8" de diámetro) entre la válvula de control y la válvula de flotador.
- Conecte la válvula de control a la red eléctrica. La pantalla LCD parpadea y muestra el tiempo y la capacidad restante.
- Realice ahora una regeneración manual. Para ello, gire el mando giratorio grande de la válvula de control en el sentido de las agujas del reloj desde la posición "SERV." hasta la posición "BA. WA.". La pantalla muestra

BACKWASH

El sistema realiza ahora una regeneración manual.

Ahora empieza el retrolavado (Backwash).

El tiempo restante se muestra en la línea inferior de la pantalla.

Una vez transcurrido el tiempo restante, el mando gira a la posición "BRINE" (salado).
La pantalla muestra

BRINE

La planta realiza ahora el salado de la resina ablandadora.

Después del salado, el sistema realiza los pasos "RINSE" (aclarado) y "REFILL" (llenado del depósito de salmuera).

Asegúrese de que el sistema no aspire aire a través de la manguera de salmuera, compruebe las conexiones de la manguera de salmuera si es necesario.

Espere a que finalice la regeneración manual (aprox. 45 min.).

- Ahora el sistema ha aclarado la resina ablandadora y ha bombeado la cantidad adecuada de agua en el depósito de salmuera.

- Vierta ahora pastillas de sal en el depósito de salmuera hasta que esté completamente lleno. Tarda aprox. 4 a

6 horas hasta que la sal se disuelve en agua hasta la concentración máxima y se forma una

salmuera. Esto hace que baje el nivel de llenado de las pastillas de sal. ¡No añada más agua!
 - Ahora se pueden realizar los ajustes en la válvula de control. (El sistema viene completamente preconfigurado por nosotros.) Usted solo tiene que ajustar la hora y la capacidad

10. Ajuste de la válvula de control

La válvula de control se controla mediante un sistema electrónico fácil de usar a través de una pantalla LCD.

En funcionamiento normal, se muestran la hora actual y la capacidad restante hasta la próxima regeneración.

La capacidad se indica en T (toneladas). Una tonelada corresponde a 1000 litros o 1 m³ de agua.

Ya hemos configurado la válvula de control en el modo "Modo de Volumen con Regeneración Forzada" (meter override). La dureza del agua a eliminar debe ajustarse a la dureza que usted tenga. No se debe cambiar el modo de funcionamiento para evitar la germinación.

¡Todos los valores siguientes ya están preestablecidos!

Parámetro	Opciones	Descripción	
1	IDIOMA	<u>INGLÉS</u> entre otros	Seleccionar el idioma del menú (inglés, español, turco, polaco, francés, ruso)
2	REGIÓN	<u>MÉTRICO</u>	Selección de unidades
		US	Galones (US) o toneladas (1 tonelada = 1000 l)
3	MODO REGENERACIÓN	CALENDAR CLOCK	En este modo, el sistema se regenera después de un número fijo programado de días a una hora fija. <u>No</u> se tiene en cuenta la cantidad de agua consumida durante el periodo. Abreviatura en la pantalla: CC (Calendar Clock)
		METER IMMEDIATE	En este modo, el sistema se regenera tras alcanzar una cantidad fija programada de volumen de agua. Una vez alcanzado el volumen fijado, la regeneración se produce <u>inmediatamente</u> . Abreviatura en la pantalla: MI (Meter Immediate)

		<p>METER DELAY</p>	<p>En este modo, el sistema se regenera tras alcanzar una cantidad fija programada de volumen de agua. Tras alcanzar el volumen fijado, la regeneración tiene lugar en un momento determinado (<u>con retraso</u>).</p> <p>Abreviatura en la pantalla: MD (Meter Delay)</p>
		<p><u>METER</u> <u>OVERRIDE</u></p>	<p>En este modo, el sistema se regenera tras alcanzar una cantidad fija programada de volumen de agua.</p> <p>Tras alcanzar el volumen fijado, la regeneración tiene lugar en un momento determinado (con retraso). Además, se activa una regeneración forzada después de un número predefinido de días, independientemente del volumen consumido. Así se evita que el sistema se ensucie cuando no se utiliza agua (por ejemplo, durante las vacaciones).</p> <p>Abreviatura en la pantalla: MO (Meter Override)</p>
4	TIME		Aquí se fija la hora.
5	REG. TIME (REGENERATION DAYS)	2:00	Introduzca la hora a la que el sistema deba regenerar. Recomendamos a las 2:00 de la madrugada, ya que el agua rara vez se utiliza a esta hora.
6	REG. DAYS (REGENERATION DAYS)	7	Introduzca el número de días tras los cuales el sistema debe regenerarse (solo en modo "Calendar Clock" y "Meter Override").
7	REG. CAP.	<p>R2D2-32 = 1,45 to.</p> <p>R2D2-48 = 2,10 to.</p> <p>R2D2-72 = 3,20 to.</p>	Aquí se especifica la capacidad de ablandamiento. La capacidad se calcula a partir de la dureza del agua existente y de la cantidad de resina ablandadora, así como de la mezcla deseada en la válvula de control.
8	BACKWASH (retrolavado)	<p>R2D2-32 = 1 min</p> <p>R2D2-48 = 1 min</p>	Duración del retrolavado de la resina del ablandador en minutos. El retrolavado

		R2D2-72 = 2 min	limpia la resina. No modifique este valor.
9	BRINE (salado)	R2D2-32 = 28 min R2D2-48 = 35 min R2D2-72 = 40 min	Duración del salado del ablandador en minutos. Al salar con salmuera se regenera la resina y le devuelve su capacidad de ablandamiento original. No modifique este valor.
10	RINSE (aclarado)	R2D2-32 = 2 min R2D2-48 = 2 min R2D2-72 = 3 min	Duración del aclarado de la resina ablandadora en minutos. Los residuos finales de la salmuera y cualquier suciedad en el lecho de resina se eliminan con el aclarado transparente. No modifique este valor.
11	REFILL (Rellenar el tanque de salmuera)	R2D2-32 = 3,2 min R2D2-48 = 4,8 min R2D2-72 = 7,2 min	Duración de la recarga del depósito de salmuera en minutos. Al rellenarse, el depósito de salmuera vuelve a llenarse de agua para que pueda formarse una nueva salmuera hasta el siguiente proceso de regeneración. No modifique este valor.
12	LOAD DEFAULT (restablecer la configuración de fábrica)		Restablece todos los ajustes a cero. El sistema ya está programado con valores alemanes. Al restablecer, se sobrescribirán. No active esta función.

El "modo de volumen con regeneración forzada" recomendado para los usuarios europeos (Meter Override) ya se ha preajustado y no debe modificarse.

Solo es necesario realizar unos pocos ajustes para un funcionamiento correcto en este modo.

Ajustar la hora

Esto lleva a cabo la regeneración a la hora deseada (por defecto: 2:00 de la madrugada).

Ajuste de los días hasta que se realice una regeneración forzada

Hemos preestablecido la regeneración forzada a 7 días por razones higiénicas. (También se puede aumentar a 10 días para un funcionamiento más eficiente).

Ajuste de la capacidad de ablandamiento

Dependiendo del tamaño del sistema (cantidad de resina ablandadora) y de la dureza del agua, debe calcularse e introducirse la capacidad. **Ver capítulo 12**

Comprobación de todos los parámetros

Compruebe que todos los parámetros corresponden al tamaño de la planta.

11. Programación de la válvula de control en modo "Volumen con regeneración forzada" (Meter Override)

Pulse el botón "☐" durante 3 segundos para desbloquear la pantalla (unlock screen).
Pulse el botón "☐" para entrar en el menú.

Aparece "LANGUAGE".

Pulse el botón "■". La pantalla empieza a parpadear.

Utilice los botones "▲" y "▼" para seleccionar el modo "ENGLISH".

Guarde esta entrada con el botón "■".

Pulse el botón "▼" para pasar a la siguiente opción.

Aparece "REGION METRIC" o "REGION US".

Pulse el botón "■". La pantalla empieza a parpadear.

Seleccione el modo "REGION METRIC" con los botones "▲" y "▼".

Guarde esta entrada con el botón "■".

Pulse el botón "▼" para pasar a la siguiente opción.

Se le mostrará uno de los siguientes modos: "METER DELAY", "METER OVERRIDE", "METER IMMEDIAT", "CALENDAR CLOCK".

Pulse el botón "■". La pantalla empieza a parpadear.

Seleccione el modo "METER OVERRIDE" con los botones "▲" y "▼".

Guarde la entrada con el botón "■".

Pulse el botón "▼" para pasar a la siguiente opción.

Se le mostrará: "TIME" (hora actual).

Pulse el botón "■". La pantalla empieza a parpadear.

Seleccione la hora con los botones "▲" y "▼".

Guarde la entrada con el botón "■".

Ahora parpadea el ajuste para el minuto.

Seleccione el minuto con los botones "▲" y "▼".

Guarda esta entrada con el botón "■".

Pulse el botón "▼" para pasar a la siguiente opción.

Se le mostrará: "REG. TIME".

Pulse el botón "■". La pantalla empieza a parpadear.

Seleccione la hora con los botones "▲" y "▼".

(Recomendamos "2")

Guarde esta entrada con el botón "■".

Ahora parpadea el ajuste de los minutos.

Seleccione los minutos con los botones "▲" y "▼".

(Recomendamos "0")

Guarde esta entrada con el botón "■".

Pulse el botón "▼" para pasar a la siguiente opción.

Se le mostrará: "REG. DAYS".

Pulse el botón "■". La pantalla empieza a parpadear.

Utilice los botones "▲" y "▼" para seleccionar los días.

(Recomendamos "07")

Guarde esta entrada con el botón "■".

Pulse el botón "▼" para pasar a la siguiente opción.

Aparecerá el mensaje "REG. CAP".

Pulse el botón "■". La pantalla empieza a parpadear.

Utilice los botones "▲" y "▼" para seleccionar la capacidad en toneladas (= 1000 litros).

Introduzca aquí el valor del volumen de la tabla de la página 63.

Guarde esta entrada con el botón "■".

Ahora parpadea el ajuste de la capacidad en litros.

Utilice los botones "▲" y "▼" para seleccionar la capacidad en litros.

Introduzca el valor del punto decimal en la tabla de la página 63.

Guarde esta entrada con el botón "■".

Pulse el botón "▼" para pasar a la siguiente opción.

Se le mostrará: "BACKWASH".

Pulse el botón "■". La pantalla empieza a parpadear.

Utilice los botones "▲" y "▼" para seleccionar el tiempo en minutos adecuado para su instalación:

R2D2-32: 01 min.

R2D2-48: 01 min.

R2D2-72: 01 min.

Guarde esta entrada con el botón "■".

Pulse el botón "▼" para pasar a la siguiente opción.

Se le mostrará: "BRINE".

Pulse el botón "■". La pantalla empieza a parpadear.

Utilice los botones "▲" y "▼" para seleccionar el tiempo en minutos adecuado para su instalación:

R2D2-32: 28 min.

R2D2-48: 35 min.

R2D2-72: 40 min.

Guarde esta entrada con el botón "■".

Se le mostrará: "RINSE".

Pulse el botón "■". La pantalla empieza a parpadear.

Utilice los botones "▲" y "▼" para seleccionar el tiempo en minutos adecuado para su instalación:

R2D2-32: 02 min.

R2D2-48: 02 min.

R2D2-72: 03 min.

Guarde esta entrada con el botón "■".

Pulse el botón "▼" para pasar a la siguiente opción.

Se le mostrará: "REFILL".

Pulse el botón "■". La pantalla empieza a parpadear.

Utilice los botones "▲" y "▼" para seleccionar el tiempo en minutos adecuado para su instalación:

R2D2-32: 03.2 min.

R2D2-48: 04.8 min.

R2D2-72: 07.2 min.

Guarde esta entrada con el botón "■".

Pulse el botón "□" para salir de la programación.

Su sistema de ablandamiento de agua ya está totalmente programado y listo para funcionar.

12. Cálculo de la capacidad de ablandamiento

En función de la cantidad de resina de ablandamiento utilizada, un sistema de ablandamiento puede ablandar distintas cantidades de agua.

La dureza del agua bruta también afecta significativamente a la capacidad de un sistema.

Ambos valores deben conocerse y almacenarse en la válvula de control para garantizar el funcionamiento más económico y correcto del sistema.

Utilice un equipo de medición de la dureza total para determinar fácilmente la dureza actual del agua bruta. También puede encontrar la dureza del agua en la información facilitada por su empresa de suministro de agua (por ejemplo, en su página web).

También puede calcular usted mismo los valores de la tabla siguiente si es necesario:

Ejemplo:

32: 20°dH = 1200ltr agua blanda

48: 20°dH = 1800ltr agua blanda

72: 10°dH = 5400ltr agua blanda

		R2D2-32	R2D2-48	R2D2-72
°dH	°fH			
5	9	4,80 T	7,20 T	10,80 T
6	11	4,00 T	6,00 T	9,00 T
7	12	3,40 T	5,10 T	7,70 T
7,5	13	3,20 T	4,80 T	7,20 T
8	14	3,00 T	4,50 T	6,70 T
9	16	2,60 T	4,00 T	6,00 T
10	18	2,40 T	3,60 T	5,40 T
11	20	2,10 T	3,20 T	4,90 T
12	21	2,00 T	3,00 T	4,50 T
13	23	1,80 T	2,70 T	4,10 T
14	25	1,70 T	2,50 T	3,80 T
15	27	1,60 T	2,40 T	3,60 T
16	29	1,50 T	2,20 T	3,30 T
17	30	1,40 T	2,10 T	3,10 T
18	32	1,30 T	2,00 T	3,00 T
19	34	1,20 T	1,90 T	2,80 T
20	36	1,20 T	1,80 T	2,70 T
21	37	1,10 T	1,70 T	2,50 T
22	39	1,00 T	1,60 T	2,40 T
23	41	1,00 T	1,50 T	2,30 T
24	43	1,00 T	1,50 T	2,20 T
25	45	0,90 T	1,40 T	2,10 T
26	46	0,90 T	1,30 T	2,00 T
27	48	0,80 T	1,30 T	2,00 T
28	50	0,80 T	1,20 T	1,90 T
29	52	0,80 T	1,20 T	1,80 T
30	54	0,80 T	1,20 T	1,80 T

13. Ajuste de la mezcla

El dispositivo suaviza el agua bruta hasta 0 °dH.

Recomendamos seguir los consejos de los fabricantes de dispositivos como calentadores. Si se especifica una dureza del agua, puede ser necesario mezclar el agua suavizada con agua bruta hasta alcanzar la dureza recomendada.

Opción 1: válvula de mezcla integrada en el cabezal de control

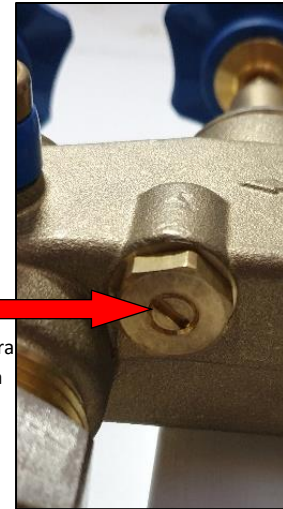


Girando el tornillo de ajuste, se modifica la mezcla con el agua bruta.

Girar en sentido horario: La dureza del agua aumenta.

Girar en sentido antihorario: La dureza del agua disminuye.

Opción 2 - Tornillo ranurado en el bloque de montaje



Tornillo ranurado para el ajuste de la dureza residual

Al girar el tornillo ranurado, también se modifica la mezcla con agua bruta.

Girar en sentido antihorario: La dureza del agua aumenta.

Girar en sentido horario: La dureza del agua disminuye.

Recomendamos mezclar mediante el bloque de montaje.

El resultado es más preciso. Además, el bloque de montaje es de latón y, por tanto, más robusto.

Compruebe la dureza del agua en un punto de toma (grifo de toma de muestras en el bloque de montaje) cerca del sistema con un juego de medición de la dureza del agua (solución de valoración).

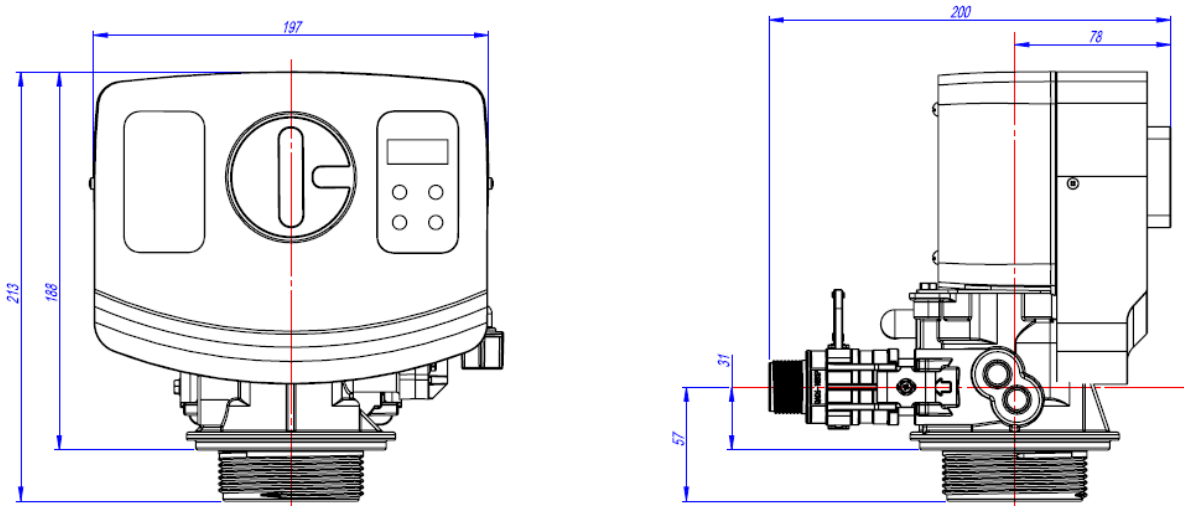
Deje correr el agua permanentemente en el grifo. Mida la dureza del agua solo con agua fría (el agua caliente pasa por el calentador y solo se ablanda gradualmente).

Dependiendo de la distancia al grifo, puede pasar mucho tiempo hasta que se pueda medir la dureza del agua recién mezclada. (Por lo tanto, mida directamente en la toma de muestras del bloque de montaje)

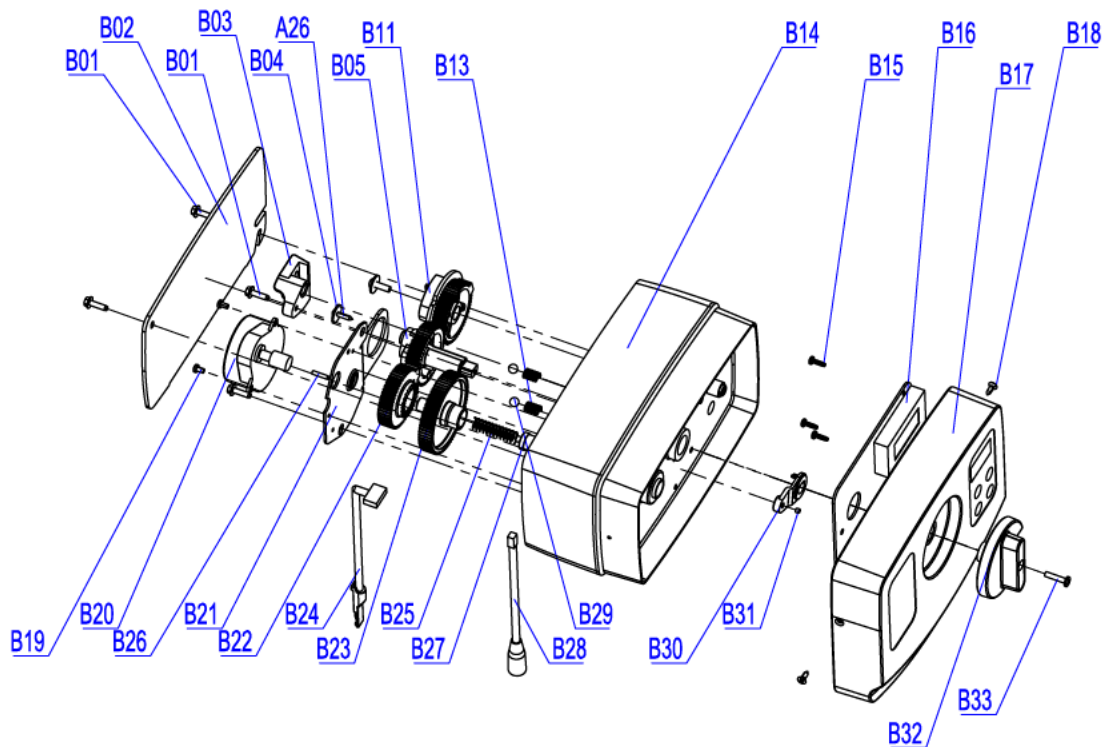
Lo mejor es abrir el grifo más cercano a medio caudal y ajustar la dureza del agua.

14. Dibujos

Dimensiones de la válvula de control



Despiece del cabezal de control BNT1650

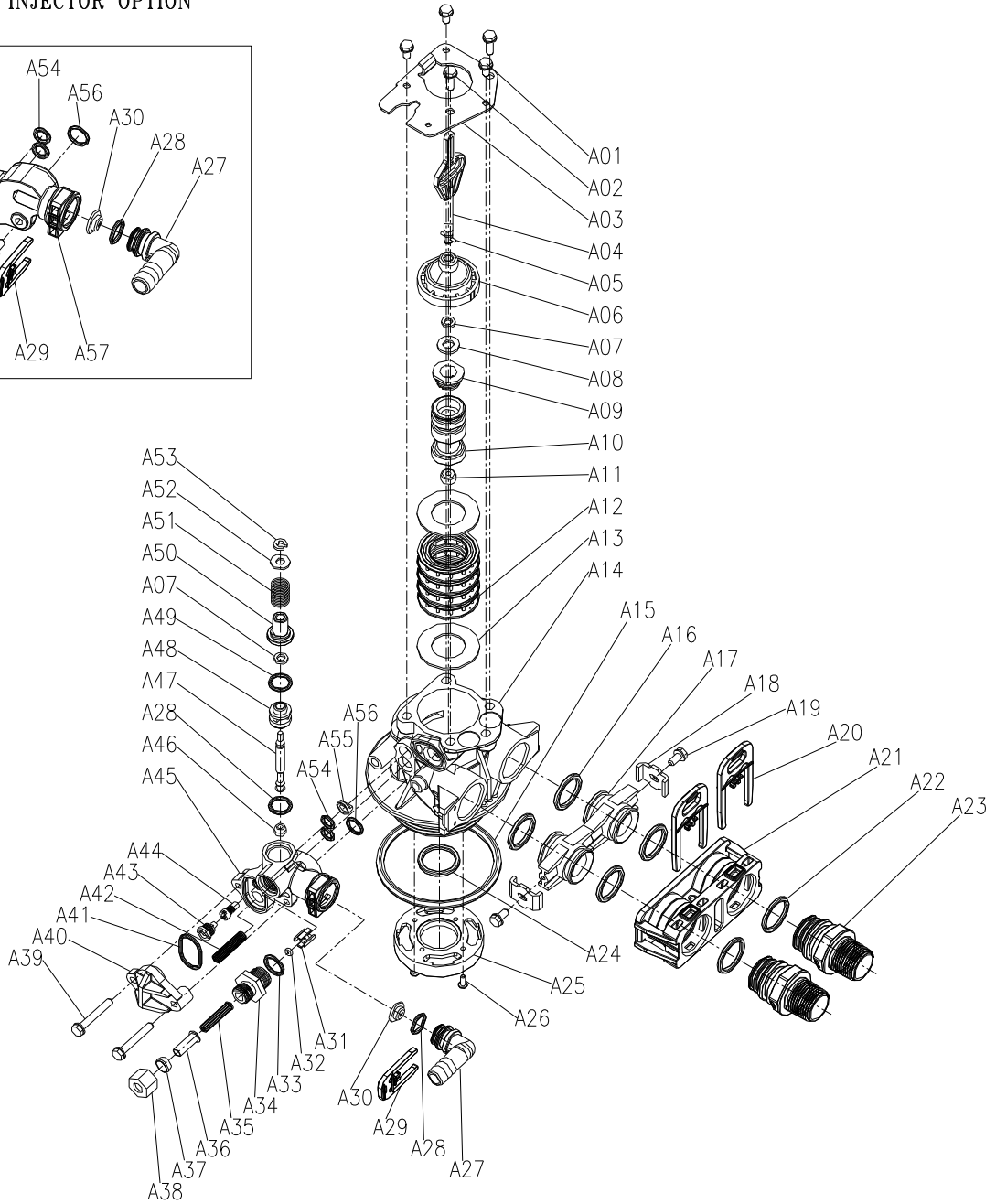
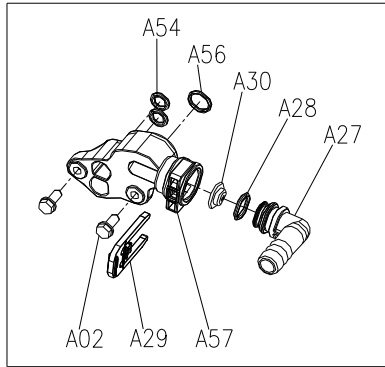


Lista de piezas de repuesto BNT-1650

	Nº de pieza	Descripción de la pieza	Cantidad
B01	05056136	Tornillo ST3.5x13 (hexagonal con arandela)	4
B02	05056014	Tapa trasera Bnt65	1
B03	05010045	Soporte del vástago del pistón	1
A26	13000426	Tornillo ST2.9x13 (cabeza plana grande)	1
B04	05056139	Arandela 3x13	1
B05	05056005	Engranaje principal	1
B06	05056083	Tornillo M4x14	1
B07	05056166	Tornillo ST4.2x12 (cabeza plana grande)	1
B08	05056141	Arandela 4x12	1
B09	13111004	Arandela 4x9	1
B10	05056016	Regulador de recarga	1
B11	05056015	Engranaje de salado	1
B12	05056089	Tuerca M4	1
B13	05056095	Retén de muelle	2
B14	05056001	Carcasa Bnt65	1
B15	05010037	Tornillo ST2.9x10	5
B16	05056504	Pcb Bnt165	1
B17	05056500	Tapa frontal Bnt165	1
	05056505	Etiqueta de funcionamiento Bnt165	1
	05056506	Etiqueta regen. Bnt165	1
	3010019582	Etiqueta con código QR	1
B18	05056509	Tornillo ST2.9x10 (CSK)	2
B19	05056082	Tornillo M3x5	2
B20	05056510	Motor 12v/2rpm	1
	11700005	Conector de cable	2
B21	05056045	Placa de montaje del motor	1
B22	05056501	Engranaje de transmisión Bnt165	1
A04	05010081	Biela Bnt65	1
B23	05056002	Engranaje loco	1
B24	05010031	Montaje del contador	1
	05010046	Alivio de tensión del contador	1
B25	05056094	Tensor de muelle	1
B26	05056098	Pasador del motor	1
B27	05056502	Retenedor de muelle	1
B28	05056507	Cable de alimentación Bnt165	1
	05056013	Alivio de tensión Bnt65	1
B29	05056092	Bola 1/4 pulg.	2
B30	05056503	Portaimanes	1
B31	05010023	Imán 3x2,7	1
B32	05056008	Pomo Bnt65	1
	05056111	Etiqueta de pomo Bnt65	1
B33	05056084	Tornillo ST3.5x13	1

Despiece del cuello de la válvula BNT-1650

FILTER INJECTOR OPTION

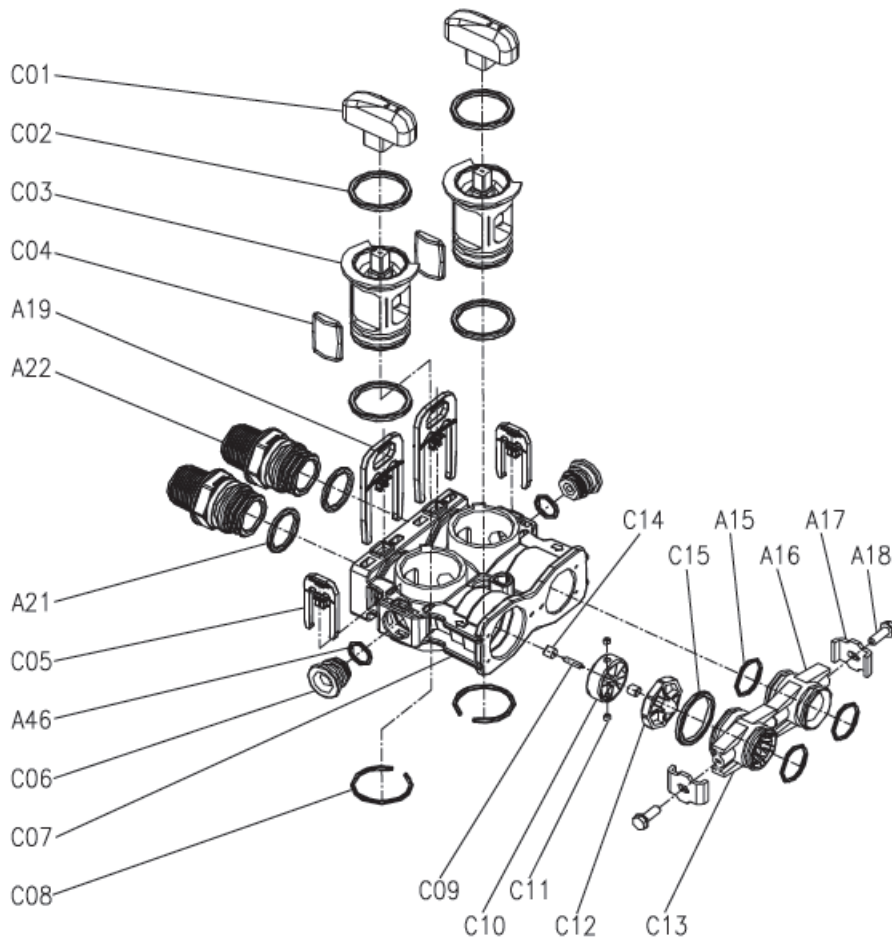


Lista de piezas de repuesto del cuello de la válvula BNT-1650

Nº de artículo	Nº pieza	Descripción de la pieza	Cantidad
A01	05056087	Tornillo M5x12 (hexagonal)	3
A02	05056088	Tornillo M5x16 (hexagonal con arandela)	2
A03	05056047	Retenedor del tapón	1
A04	05010081	Biela Bnt65	1
A05	05056097	Pasador de pistón	1
A06	05056023	Tapón terminal	1
A07	05056070	Anillo cuádruple	2
A08	05056024	Tapón final arandela	1
A09	05056022	Retenedor de pistón	1
A10	05056181	Pistón (eléctrico)	1
A11	05056104	Silenciador	1
A12	05056021	Espaciador	4
A13	05056073	Sello	5
A14	05056019	Cuerpo de válvula Bnt65	1
A15	05056063	Junta tórica q78.74x5.33	1
A16	05056129	Junta tórica q23x3	4
A17	05056025	Adaptador de acoplamiento	2
A18	05056044	Clip adaptador	2
A19	05056090	Tornillo ST4.2x13 (hexagonal con arandela)	2
A20	21709003	Clip Secune	2
A21	05056140	Conector de válvula	1
A22	05056065	Junta tórica q23.6x2.65	2
A23	21319006	Adaptador de tornillo	2
A24	26010103	Junta tórica q25x3.55	1
A25	07060007	Conector inferior de la válvula	1
A26	13000426	Tornillo ST2.9x13 (cabeza plana grande)	2
A27	05010082	Accesorio desagüe B	1
A28	05056134	Junta tórica 12x2	2
A29	05056172	Clip Sesune S	1
A30	05056186	DLFC-2#	1
A31	05056035	Botón retenedor BL F C	1
A32	05056191	BL F C-2#	1
A33	05056138	Junta tórica 14x1,8	1
A34	05056100B	Accesorio BL F C	1
A35	05056106	Pantalla de línea de salado	1
A36	05056107	Inserto de tubo BL F C	1
A37	05056033	Femule BL F C	1
A38	05056108	Tuerca de racor BL F C	1
A39	05056066	Tornillo M6x30 (hexagonal con arandela)	2
A40	05056029	Tapa del inyector	1
A41	05056072	Junta tórica q24x2	1
A42	05056103	Pantalla del inyector	1
A43	05056027	Boquilla inyectora	1
A44	05056028	Cuello del inyector	1
A45	05056177	Cuerpo inyector B	1
A46	05056075	Asiento del inyector	1

A47	05056054	Espaciador del inyector	1
A49	05056081	Junta tórica 12,5x1,8	1
A50	05056030	Tapa del inyector	1
A51	05056093	Pantalla del inyector	1
A52	05010049	Arandela especial	1
A53	05056105	Anillo de retención	1
A54	05056067	Junta tórica 7,8x1,9	2
A55	05056037	Dispensor de aire	1
A56	05056066	Junta tórica 11x2	1
A57	05056165	Cuerpo del inyector (Filtro)	1

Despiece de la válvula de derivación



Lista de piezas de repuesto Válvula de derivación BNT-1650

Nº de artículo	Nº de pieza	Descripción de la pieza	Cantidad
C01	05056147	Pomo de derivación	2
C02	26010028	Junta tórica 28x2,65	4
C03	05056148	Conector de derivación	2
C04	05056149	Junta de derivación	2
A20	21709003	Clip de seguridad	2
A23	21319006	Adaptador de tornillo	2
A22	05056065	Junta tórica 23,6x2,65	2
C05	05056172	Clip de seguridad S	2
A48	05056134	Junta tórica 12x2	1
C06	05056146	Mamparo	2
C07	05056145	Cuerpo de derivación	1
C08	05056150	Cuello 32x2,5	2
C09	05010079	Pasador del impulsor	1
C10	05010014	Impulsor	1
C11	05010078	Imán 4x3	2
C12	05010077	Soporte del impulsor	1
C13	05010083	Adaptador Distribuidor	1
C14	05010019	Sujetapasador	2
C15	26010046	Junta tórica 27x3	1
A16	05056129	Junta tórica 23x3	3
A17	05056025	Adaptador de acoplamiento	1
A18	05056044	Clip adaptador	2
A19	05056090	Tornillo ST4.2x13 (hexagonal con arandela)	2

Datos técnicos

Presión de funcionamiento: 2,0 bar a 6,0 bar
 Temperatura ambiente: de +5 °C a +40 °C
 Conexión de sistema: Entrada: 230 V / 50 Hz -- Salida: 25 V / 50 Hz
 Rosca al recipiente a presión: 2.5" NPSM
 Tamaño de conexión entrada/salida: 3/4"

Istruzioni per l'uso

Istruzioni di programmazione

Rigenerazione temporizzata a volume controllato
Salatura 200 g >Corrente continua<
R2D2- 32 / 48 / 72



Addolcitore d'acqua R2D2
Capacità 32, 48 e 72
con valvola di controllo BNT 1650

Indice

Note importanti	73
Istruzioni di sicurezza	73
Aree di applicazione	74
Sale rigenerante	75
Avvertenze di pericolo	75
Manutenzione/assistenza	75
Stoccaggio e trasporto	75
Installazione	76
Messa in servizio	77
Regolazione delle impostazioni della valvola di controllo	78
Programmazione della valvola di controllo	81
Calcolo della capacità di addolcimento	83
Impostazione della miscelazione	85
Dimensioni della valvola di controllo	87
Vista esplosa della testa di controllo con numeri delle parti	88
Vista esplosa del collo della valvola con numeri delle parti	90
Vista esplosa della valvola di bypass con numeri delle parti	92

1. Note importanti

Prima di installare e utilizzare l'apparecchio, leggere attentamente le presenti istruzioni per l'uso. Seguire e rispettare le istruzioni di sicurezza.

Abbiamo in gran parte preprogrammato l'addolcitore.

Controllare la durezza dell'acqua e correggere il valore preimpostato, se necessario. Un valore impostato in modo errato può causare malfunzionamenti! Il sistema ha una garanzia di fabbrica standard di 3 anni. Questa garanzia è valida solo se il sistema viene utilizzato in conformità con tutte le normative.

2. Istruzioni di sicurezza

L'addolcitore deve essere installato in un luogo protetto dal gelo e dall'umidità. Non deve essere installato all'esterno.

Il montaggio e l'installazione devono essere eseguiti esclusivamente da personale specializzato e qualificato. I lavori sull'impianto idrico possono essere eseguiti solo da imprese di installazione autorizzate. Le norme locali devono essere rigorosamente rispettate. Assicurarsi di seguire le istruzioni del manuale di installazione!

Questo addolcitore d'acqua è progettato esclusivamente per il funzionamento nel settore dell'acqua potabile. I valori limite dell'ordinanza sull'acqua potabile (OPAE) non devono essere superati, in particolare per il ferro (Fe 0,2 mg/L) e il manganese (Mn 0,05 mg/L).

Qualsiasi uso non conforme alla destinazione d'uso non è consentito. È necessario installare un filtro per l'acqua davanti all'addolcitore, soprattutto per proteggerlo dalla contaminazione e dall'insabbiamento.

Si raccomanda inoltre l'uso di un filtro di protezione a valle dell'unità, poiché danni meccanici o difetti del materiale potrebbero causare lo spurgo della resina a scambio ionico.

La pressione dell'acqua ammessa è di 2,0 - 6,0 bar. Se la pressione dell'acqua esistente è superiore al valore limite, è necessario utilizzare un riduttore di pressione.

Per evitare danni da acqua, è necessario un drenaggio aperto vicino al sito di installazione. Se ciò non è possibile, installare una valvola di interruzione prima del drenaggio per evitare il riflusso delle acque reflue.

Il luogo di installazione deve essere pianeggiante, asciutto e privo di fonti di calore, con una temperatura compresa tra +5 °C e +40 °C. Assicurarsi che l'apparecchio sia stabile e non possa ribaltarsi.

Nei sistemi con rame e zinco, l'acqua molto dolce può causare corrosione. Per una durezza dell'acqua superiore a 15 °dH, si consiglia di mantenere una durezza residua tra 3 e 5 °dH. L'addolcitore Aqmos ammorbidisce l'acqua a 0 °dH di default, ma può essere facilmente regolato tramite la vite di miscelazione.

Verificare se è necessario un dispositivo di prevenzione del riflusso sul sistema di approvvigionamento idrico secondo le normative nazionali. In caso di dubbi, contattare il fornitore di acqua.

3. Aree di applicazione

Area di applicazione: acqua potabile

Uso previsto: riduzione della durezza dell'acqua (calcio/magnesio)

Collegamento con l'impianto: Ingresso: 230 V / 50 Hz Uscita: 24 V / 50 Hz

Temperatura ambiente: min. +5 °C / max. +40 °C

Temperatura dell'acqua: min. +5 °C / max. +30 °C

Pressione di esercizio: min. 2 bar / max. 6 bar

Umidità: max. 60%

Sale: secondo DIN 19604, DIN EN 973 tipo A

A prova di spruzzi: no

Ioni interferenti: cloro, ferro, manganese

4. Sale rigenerante

Il sistema può essere utilizzato solo con pastiglie di sale evaporato di elevata purezza (NaCl) secondo la norma DIN 10604 DIN EN 973 tipo A. (grado di purezza)

L'uso di altri sali (sale stradale, sale tritato) può portare alla contaminazione del sistema e causare gravi danni. Utilizzare solo sale rigenerante.

5. Avvertenze di pericolo

Pericolo dovuto all'energia elettrica - rischio di scosse elettriche!

Scollegare sempre la spina di rete prima di intervenire sull'apparecchio!

In caso di danni all'isolamento dei cavi o ai componenti elettrici, sostituirli immediatamente.

Pericolo dovuto alla pressione dell'acqua!

Prima di intervenire sull'apparecchio, scaricare sempre la pressione e chiudere l'acqua sul blocco di montaggio. A tal fine, chiudere prima le valvole esterne, quindi aprire la valvola di bypass centrale.

Se non è presente alcun blocco di montaggio, chiudere la valvola principale e rilasciare la pressione attraverso un punto di prelievo situato il più in basso possibile nella rete di distribuzione dell'acqua.

Pericolo dovuto alla contaminazione!

Regolare il sistema in base al consumo effettivo di acqua per garantire un flusso sufficiente. Se l'impianto non viene utilizzato per un periodo di tempo prolungato, deve essere messo fuori servizio correttamente da un'azienda specializzata. Non disattivare in nessun caso la rigenerazione forzata.

6. Manutenzione / Assistenza

Il sistema deve essere sottoposto a test regolari per verificarne il corretto funzionamento da parte dell'operatore. Per garantire un funzionamento tecnicamente ineccepibile, si raccomanda di far effettuare la manutenzione annuale da parte di un'azienda specializzata, conformemente alla norma DIN 1988 parte 8.

I difetti o i malfunzionamenti devono essere eliminati immediatamente.

L'operatore deve assicurarsi che nel sistema sia sempre presente una quantità di sale sufficiente a garantire il corretto funzionamento dell'unità.

7. Stoccaggio e trasporto

L'unità può essere trasportata solo nell'imballaggio originale. Lo stoccaggio deve avvenire al riparo dal gelo, non vicino a forti fonti di calore e in posizione verticale. Prestare attenzione alla direzione di regolazione indicata sulla confezione esterna.

8. Installazione

L'installazione dell'unità deve essere conforme alle norme e ai regolamenti vigenti.

Collegamento blocco di montaggio

Prima di iniziare i lavori, chiudere la valvola di intercettazione principale.

Quindi aprire un rubinetto dietro di esso e rilasciare la pressione dell'acqua residua.

Il blocco di montaggio deve essere installato nella linea di installazione dopo il contatore dell'acqua, il filtro dell'acqua e, se applicabile, il riduttore di pressione.

Prestare attenzione alla direzione del flusso del blocco di montaggio (freccia sul blocco di montaggio).

Inserire il rubinetto di prova (anteriore) e l'otturatore (posteriore) secondo la direzione del flusso.

Chiudere le due valvole esterne del blocco di montaggio. Quindi aprire la valvola di bypass centrale. A questo punto è possibile riaprire la valvola di intercettazione principale. L'acqua scorre ora attraverso il bypass del blocco di montaggio. Controllare che non ci siano perdite.

Collegamento acque reflue

In prossimità del luogo di installazione deve essere presente un allacciamento per le acque reflue. È possibile posare il tubo flessibile delle acque reflue a un massimo di 120 cm dal raccordo dell'acqua di scarico del sistema. La lunghezza deve essere di massimo 6 metri e avere una pendenza minima.

Collegare il tubo flessibile dell'acqua di scarico (diametro 12 mm) alla presa di scarico (sul retro della testa di controllo) della valvola di controllo. Fissare il collegamento con una fascetta stringitubo.

Collegare il tubo di troppopieno al troppopieno dell'alloggiamento dell'armadietto (sul retro del contenitore del sale).

Condurre le estremità dei tubi flessibili all'attacco del condotto (entrambi separatamente; non collegare con un raccordo a T). Pericolo di riflusso!). Utilizzare un beccuccio aperto e/o un dispositivo anti-riflusso (pericolo di riflusso). Fissare sufficientemente i tubi flessibili (pericolo di sfilamento a causa degli sbalzi di pressione).

Collegamento impianto di addolcimento

Allineare il sistema nella posizione desiderata a livello del suolo. Assicurarsi che il pavimento sia piano e pulito. I calcinacci o le pietre possono danneggiare l'alloggiamento dell'armadietto.

Collegare gli attacchi della valvola di controllo (filettatura esterna da 3/4") con gli attacchi del blocco di montaggio (filettatura esterna da 1") utilizzando tubi flessibili corazzati. A tale scopo, utilizzare le guarnizioni piatte da 3/4". Prestare attenzione all'ingresso e all'uscita (freccie) dei collegamenti sul sistema e sul blocco di montaggio (pericolo di confusione!).

Aprire le valvole di intercettazione rosse sulla valvola di controllo (devono essere parallele tra loro). Verificare la tenuta di tutti i collegamenti.

Non riempire ancora l'armadietto con il sale!

Aprire le due valvole esterne del blocco di montaggio, quindi chiudere la valvola di bypass centrale.

Ora l'acqua viene fatta passare attraverso l'addolcitore.
Verificare la tenuta di tutti i collegamenti.

9. Messa in servizio

- Riempire l'armadietto con circa 15 litri (fino a circa 25 cm di altezza). Dopo la prima rigenerazione, il livello ottimale dell'acqua si trova nel contenitore del sale.
- Controllare la tenuta della linea della salamoia (diametro 3/8") tra la valvola di controllo e la valvola a galleggiante.
- Collegare la valvola di controllo alla rete elettrica. Il display LCD lampeggia e mostra l'ora e la capacità residua.
- Eseguire ora una rigenerazione manuale. A tal fine, ruotare la manopola grande sul display Valvola di regolazione in senso orario dalla posizione "SERV." alla posizione "BA. WA". Il display indica

BACKWASH

L'unità esegue ora una rigenerazione manuale.

A questo punto il controlavaggio (Backwash) viene avviato.
Il tempo rimanente viene indicato nella riga inferiore del display.

Allo scadere del tempo rimanente, la manopola passa alla posizione "BRINE" (salatura).
Il display indica

BRINE

L'impianto effettua ora la salatura della resina ammorbidente.

Dopo la salatura, il sistema esegue le fasi "RINSE" (risciacquo) e "REFILL" (riempimento del serbatoio della salamoia).

Assicurarsi che il sistema non aspiri aria attraverso il tubo della miscela incongelabile; se necessario, controllare i collegamenti del tubo della miscela incongelabile.

Attendere la fine della rigenerazione manuale (circa 45 minuti).

- Ora il sistema ha risciacquato la resina dell'addolcitore e ha pompato la quantità d'acqua appropriata nel serbatoio della salamoia.

- Quindi riempire completamente il serbatoio della salamoia con pastiglie di sale. Sono necessarie circa

4-6 ore affinché il sale si sciolga in acqua alla massima concentrazione e formi una salamoia. In questo modo il livello delle pastiglie di sale si abbassa. Non aggiungere altra acqua!

- Ora è possibile effettuare le impostazioni sulla valvola di controllo. (L'unità viene fornita già completamente preimpostata.) È sufficiente impostare l'ora e la capacità

10. Regolazione delle impostazioni della valvola di controllo

La valvola di controllo è gestita da un'elettronica di facile utilizzo tramite un display LCD. Nel funzionamento normale, vengono mostrati l'ora corrente e la capacità residua fino alla prossima rigenerazione.

La capacità viene indicata in T (tonnellate). Una tonnellata corrisponde a 1000 litri o 1 m³ di acqua.

Abbiamo già impostato la valvola di controllo sulla modalità "Modalità Volume con Rigenerazione Forzata" (meter override). La durezza dell'acqua da rimuovere deve essere regolata in base alla durezza effettiva in loco. Per evitare la germinazione, non modificare la modalità di funzionamento.

Tutti i seguenti valori sono già preimpostati!

Parametro	Opzioni	Descrizione
1	LINGUA <u>INGLESE</u> ad esempio	Selezionare la lingua del menu (inglese, spagnolo, turco, polacco, francese, russo)
2	<u>METRIC</u>	Selezione dell'unità
	STATI UNITI	Galloni (USA) o tonnellate (1 tonnellata = 1000 l)
3	CALENDAR CLOCK	In questa modalità, l'unità si rigenera dopo un numero fisso di giorni programmati a un'ora fissa. La quantità di acqua consumata durante questo periodo <u>non</u> viene presa in considerazione. Abbreviazione sul display: CC (Calendar Clock)
	METER IMMEDIATE	In questa modalità, il sistema si rigenera autonomamente dopo aver raggiunto una quantità fissa programmata di volume d'acqua. Dopo aver raggiunto il volume impostato, la rigenerazione avviene <u>immediatamente</u> . Abbreviazione sul display: MI (Meter Immediate)

		<p>METER DELAY</p>	<p>In questa modalità, il sistema si rigenera autonomamente dopo aver raggiunto una quantità fissa programmata di volume d'acqua. Dopo aver raggiunto il volume impostato, la rigenerazione avviene in un determinato momento (<u>ritardata</u>). Abbreviazione sul display: MD (Meter Delay)</p>
		<p><u>METER</u> <u>OVERRIDE</u></p>	<p>In questa modalità, il sistema si rigenera autonomamente dopo aver raggiunto una quantità fissa programmata di volume d'acqua. Dopo aver raggiunto il volume impostato, la rigenerazione avviene in un determinato momento (ritardata). Inoltre, la rigenerazione forzata viene attivata dopo un numero predefinito di giorni, indipendentemente dal volume consumato. In questo modo si evita che il sistema si infetti quando non viene utilizzata l'acqua (ad esempio, durante le vacanze). Abbreviazione sul display: MO (Meter Override)</p>
4	TIME		Qui si imposta l'ora.
5	REG. TIME (REGENERATION DAYS)	2:00	Inserire l'ora in cui l'unità deve rigenerarsi. Consigliamo le 2:00 del mattino, perché a quest'ora l'acqua viene usata raramente.
6	REG. DAYS (REGENERATION DAYS)	7	Inserire il numero di giorni dopo i quali l'unità deve rigenerarsi (solo in modalità "Calendar Clock" e "Meter Override").
7	REG. CAP.	<p>R2D2-32 = 1,45 to. R2D2-48 = 2,10 to. R2D2-72 = 3,20 to.</p>	Qui viene specificata la capacità di addolcimento. La capacità viene calcolata in base alla durezza dell'acqua esistente e alla quantità di resina addolcente, nonché alla miscelazione desiderata sulla valvola di controllo.
8	BACKWASH (controlavaggio)	<p>R2D2-32 = 1 min R2D2-48 = 1 min R2D2-72 = 2 min</p>	<p>Durata del controlavaggio della resina dell'addolcitore in minuti. Il controlavaggio pulisce la resina. <u>Non modificare questo valore.</u></p>
9	BRINE (salatura)	R2D2-32 = 28 min	Durata della salatura dell'addolcitore in minuti. La salatura con salamoia rigenera

		R2D2-48 = 35 min R2D2-72 = 40 min	la resina e ripristina la sua capacità ammorbidente originale. <u>Non modificare questo valore.</u>
10	RINSE (risciacquo)	R2D2-32 = 2 min R2D2-48 = 2 min R2D2-72 = 3 min	Durata del risciacquo della resina dell'addolcitore in minuti. I residui finali della salamoia e l'eventuale sporcizia nel letto di resina vengono risciacquati dal risciacquo chiaro. <u>Non modificare questo valore.</u>
11	REFILL (Riempimento del serbatoio della salamoia)	R2D2-32 = 3,2 min R2D2-48 = 4,8 min R2D2-72 = 7,2 min	Durata del riempimento del serbatoio della salamoia in minuti. Con il riempimento, il serbatoio della salamoia viene nuovamente riempito d'acqua in modo che si possa formare una nuova salamoia fino al successivo processo di rigenerazione. <u>Non modificare questo valore.</u>
12	LOAD DEFAULT (Ripristino delle impostazioni di fabbrica)		Ripristino di tutte le impostazioni. Il sistema è già programmato sui valori italiani. Al momento della reimpostazione, anche questi verranno sovrascritti. <u>Non attivare questa funzione.</u>

La "Modalità volume con rigenerazione forzata" (Meter Override) consigliata agli utilizzatori europei è già stata preimpostata e non deve essere modificata.

Per il corretto funzionamento in questa modalità, occorre effettuare solo alcune impostazioni.

Impostazione dell'ora

Eseguire la rigenerazione all'ora desiderata (default: 2:00 del mattino).

Impostazione dei giorni fino all'esecuzione di una rigenerazione forzata

Per motivi igienici, abbiamo impostato la rigenerazione forzata a 7 giorni. (Può anche essere aumentato a 10 giorni per un funzionamento più efficiente).

Impostazione della capacità di addolcimento

A seconda delle dimensioni del sistema (quantità di resina addolcente) e della durezza dell'acqua, è necessario calcolare e inserire la capacità. **Vedi capitolo 12**

Verifica di tutti i parametri

Verificare che tutti i parametri corrispondano alle dimensioni dell'unità.

11. Programmazione della valvola di regolazione in modalità "Modalità volume con rigenerazione forzata" (Meter Override)

Premere il pulsante "☐" per 3 secondi per rilasciare il blocco dei pulsanti (sblocco dello schermo).
Premere il pulsante "☐" per accedere al menu.

Comparirà il messaggio "LANGUAGE".

Premere il pulsante "■". Il display inizia a lampeggiare.

Utilizzare i pulsanti "▲" e "▼" per selezionare la modalità "ENGLISH".

Salvare questa voce con il pulsante "■".

Premere il pulsante "▼" per passare alla voce successiva.

Appare il messaggio "REGION METRIC" o "REGION US".

Premere il pulsante "■". Il display inizia a lampeggiare.

Selezionare la modalità "REGION METRIC" con i pulsanti "▲" e "▼".

Salvare questa voce con il pulsante "■".

Premere il pulsante "▼" per passare alla voce successiva.

Verrà visualizzata una delle seguenti modalità: "METER DELAY", "METER OVERRIDE", "METER IMMEDIATE", "CALENDAR CLOCK".

Premere il pulsante "■". Il display inizia a lampeggiare.

Selezionare la modalità "METER OVERRIDE" con i pulsanti "▲" e "▼".

Salvare la voce con il pulsante "■".

Premere il pulsante "▼" per passare alla voce successiva.

Apparirà: "TIME" (ora corrente).

Premere il pulsante "■". Il display inizia a lampeggiare.

Selezionare l'ora con i pulsanti "▲" e "▼".

Salvare la voce con il pulsante "■".

L'impostazione dei minuti lampeggia.

Selezionare i minuti con i pulsanti “▲” e “▼”.
Salvare questa voce con il pulsante “■”.

Premere il pulsante “▼” per passare alla voce successiva.

Apparirà: “REG. TIME”.
Premere il pulsante “■”. Il display inizia a lampeggiare.
Selezionare l’ora con i pulsanti “▲” e “▼”.
(Si consiglia “2”).
Salvare questa voce con il pulsante “■”.

L’impostazione dei minuti lampeggia.
Selezionare i minuti con i pulsanti “▲” e “▼”.
(Si consiglia “0”)
Salvare questa voce con il pulsante “■”.

Premere il pulsante “▼” per passare alla voce successiva.

Apparirà: “REG. DAYS”.
Premere il pulsante “■”. Il display inizia a lampeggiare.
Selezionare i giorni con i pulsanti “▲” e “▼”.
(Si consiglia “07”)
Salvare questa voce con il pulsante “■”.

Premere il pulsante “▼” per passare alla voce successiva.

Apparirà “REG. CAP.”.
Premere il pulsante “■”. Il display inizia a lampeggiare.
Selezionare la capacità in tonnellate (= 1000 litri) con i pulsanti “▲” e “▼”.
Inserire qui il valore del volume dalla tabella a pagina 84.
Salvare questa voce con il pulsante “■”.

L’impostazione della capacità in litri lampeggia.
Selezionare la capacità in litri con i pulsanti “▲” e “▼”.
Inserire qui il valore decimale dalla tabella a pagina 84.
Salvare questa voce con il pulsante “■”.

Premere il pulsante “▼” per passare alla voce successiva.

Apparirà: “BACKWASH”.
Premere il pulsante “■”. Il display inizia a lampeggiare.
Selezionare il tempo in minuti adatto alla propria unità con i pulsanti “▲” e “▼”.
R2D2-32: 01 min.
R2D2-48: 01 min.
R2D2-72: 01 min.
Salvare questa voce con il pulsante “■”.

Premere il pulsante “▼” per passare alla voce successiva.

Apparirà: “BRINE”.

Premere il pulsante “■”. Il display inizia a lampeggiare.

Selezionare il tempo in minuti adatto alla propria unità con i pulsanti “▲” e “▼”.

R2D2-32: 28 min.

R2D2-48: 35 min.

R2D2-72: 40 min.

Salvare questa voce con il pulsante “■”.

Apparirà: “RINSE”.

Premere il pulsante “■”. Il display inizia a lampeggiare.

Selezionare il tempo in minuti adatto alla propria unità con i pulsanti “▲” e “▼”.

R2D2-32: 02 min.

R2D2-48: 02 min.

R2D2-72: 03 min.

Salvare questa voce con il pulsante “■”.

Premere il pulsante “▼” per passare alla voce successiva.

Apparirà: “REFILL”.

Premere il pulsante “■”. Il display inizia a lampeggiare.

Selezionare il tempo in minuti adatto alla propria unità con i pulsanti “▲” e “▼”.

R2D2-32: 03.2 min.

R2D2-48: 04.8 min.

R2D2-72: 07.2 min.

Salvare questa voce con il pulsante “■”.

Premere il pulsante “□” per uscire dalla programmazione.

L’addolcitore è ora completamente programmato e pronto per il funzionamento.

12. Calcolo della capacità di addolcimento

A seconda della quantità di resina utilizzata, un sistema di addolcimento può addolcire quantità diverse di acqua.

Anche la durezza dell’acqua grezza influisce in modo significativo sulla capacità di un’unità.

Entrambi i valori devono essere noti e memorizzati nella valvola di controllo per garantire il funzionamento più economico e corretto possibile del sistema.

Utilizzare un set di misurazione della durezza totale per determinare facilmente la durezza attuale dell’acqua grezza. In alternativa, è possibile trovare la durezza dell’acqua nelle informazioni fornite

dall'azienda di approvvigionamento idrico (ad esempio, sul relativo sito web).

Se necessario, è possibile anche calcolare autonomamente i valori della tabella sottostante:

Esempio:

32: 20°dH = 1200 litri di acqua dolce

48: 20°dH = 1800 litri di acqua dolce

72: 10°dH = 5400 litri di acqua dolce

		R2D2-32	R2D2-48	R2D2-72
°dH	°fH			
5	9	4,80 T	7,20 T	10,80 T
6	11	4,00 T	6,00 T	9,00 T
7	12	3,40 T	5,10 T	7,70 T
7,5	13	3,20 T	4,80 T	7,20 T
8	14	3,00 T	4,50 T	6,70 T
9	16	2,60 T	4,00 T	6,00 T
10	18	2,40 T	3,60 T	5,40 T
11	20	2,10 T	3,20 T	4,90 T
12	21	2,00 T	3,00 T	4,50 T
13	23	1,80 T	2,70 T	4,10 T
14	25	1,70 T	2,50 T	3,80 T
15	27	1,60 T	2,40 T	3,60 T
16	29	1,50 T	2,20 T	3,30 T
17	30	1,40 T	2,10 T	3,10 T
18	32	1,30 T	2,00 T	3,00 T
19	34	1,20 T	1,90 T	2,80 T
20	36	1,20 T	1,80 T	2,70 T
21	37	1,10 T	1,70 T	2,50 T
22	39	1,00 T	1,60 T	2,40 T
23	41	1,00 T	1,50 T	2,30 T
24	43	1,00 T	1,50 T	2,20 T
25	45	0,90 T	1,40 T	2,10 T
26	46	0,90 T	1,30 T	2,00 T
27	48	0,80 T	1,30 T	2,00 T
28	50	0,80 T	1,20 T	1,90 T
29	52	0,80 T	1,20 T	1,80 T
30	54	0,80 T	1,20 T	1,80 T

13. Impostazione della miscelazione

Il dispositivo addolcisce l'acqua grezza fino a 0 °dH.

Si consiglia di seguire le indicazioni dei produttori di apparecchi come le caldaie. Se viene indicata una specifica durezza dell'acqua, potrebbe essere necessario mescolare l'acqua addolcita con acqua grezza fino a raggiungere la durezza raccomandata.

Opzione 1 - Valvola di miscelazione integrata nella testa di controllo

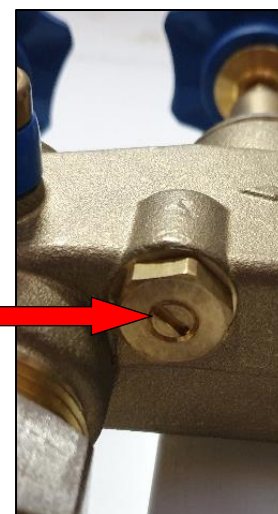


Ruotando la vite di regolazione, si modifica la miscelazione con l'acqua grezza.

Rotazione in senso orario: viene aumentata la durezza dell'acqua.

Rotazione in senso antiorario: viene diminuita la durezza dell'acqua.

Opzione 2 - Vite scanalata sul blocco di montaggio



Vite scanalata per la regolazione della durezza residua

Ruotando la vite scanalata, si modifica anche la miscelazione con l'acqua grezza.

Rotazione in senso antiorario: viene aumentata la durezza dell'acqua.

Rotazione in senso orario: viene diminuita la durezza dell'acqua.

**Si consiglia la miscelazione tramite il blocco di montaggio.
Il risultato è più preciso. Inoltre, il blocco di montaggio è in ottone e quindi più robusto.**

Controllare la durezza dell'acqua in un punto di prelievo (rubinetto di campionamento sul blocco di montaggio) vicino all'unità con un set di misurazione della durezza dell'acqua (soluzione di titolazione).

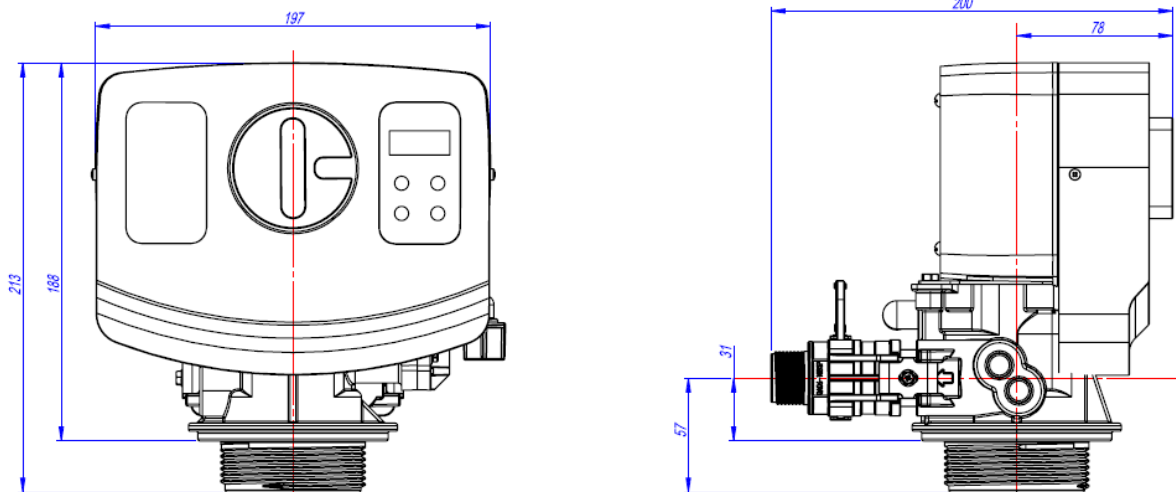
Lasciare scorrere l'acqua dal rubinetto. Misurare la durezza dell'acqua solo con acqua fredda (l'acqua calda passa attraverso il riscaldatore e diventa più dolce solo gradualmente).

A seconda della distanza dal rubinetto, potrebbe essere necessario molto tempo prima di poter misurare la durezza dell'acqua appena miscelata. (Pertanto, misurare direttamente sul rubinetto di campionamento del blocco di montaggio)

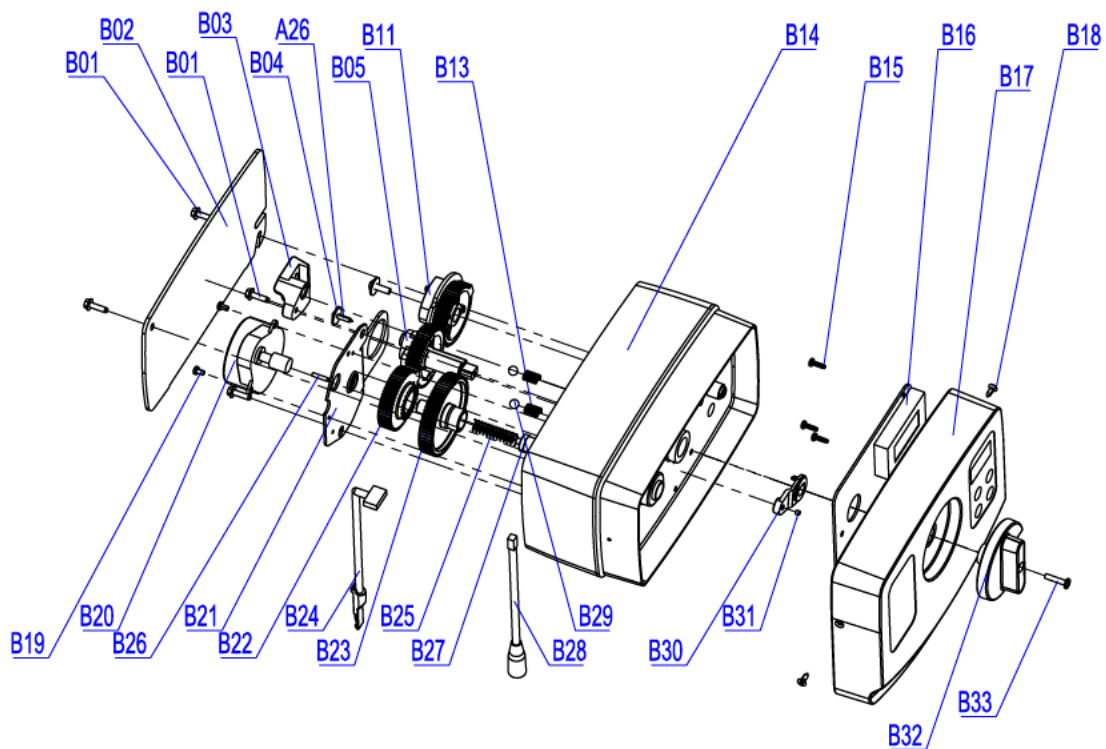
È meglio far funzionare a mezz'asta il rubinetto più vicino e regolare la durezza dell'acqua.

14. Disegni

Dimensioni della valvola di controllo



Vista esplosa della testa di controllo BNT1650

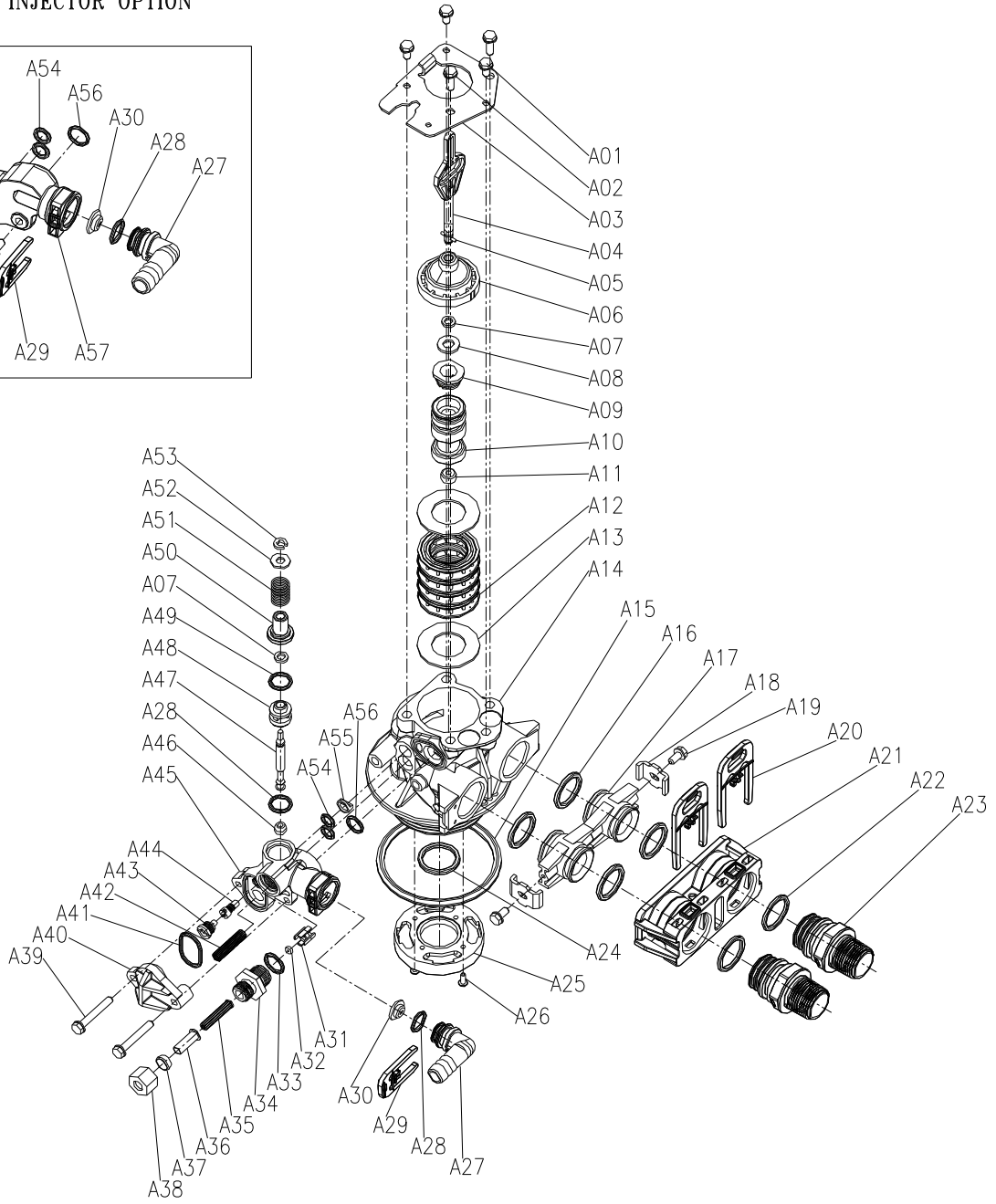
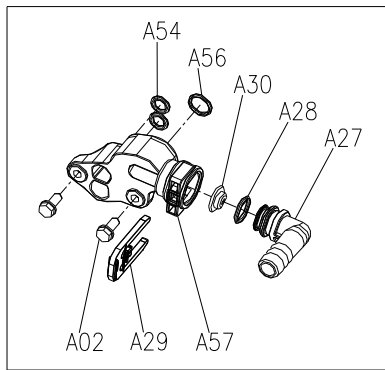


Elenco parti di ricambio BNT-1650

	Num. parte	Descrizione parte	Quantità
B01	05056136	Vite ST3,5x13 (esagonale con rondella)	4
B02	05056014	Bnt65 Copertura posteriore	1
B03	05010045	Supporto dello stelo del pistone	1
A26	13000426	Vite ST2.9x13 (grande acqua)	1
B04	05056139	Rondella-3x13	1
B05	05056005	Ingranaggio principale	1
B06	05056083	Vite-M4x14	1
B07	05056166	Vite ST4.2x12 (grande acqua)	1
B08	05056141	Rondella-4x12	1
B09	13111004	Rondella-4x9	1
B10	05056016	Regolatore di ricarica	1
B11	05056015	Ingranaggio della salamoia	1
B12	05056089	Scanalatura-M4	1
B13	05056095	Molla di sicurezza	2
B14	05056001	Alloggiamento Bnt65	1
B15	05010037	Vite-ST2.9x10	5
B16	05056504	Bnt165 Pcb	1
B17	05056500	Bnt165 Copertura anteriore	1
	05056505	Bnt165 Etichetta di funzionamento	1
	05056506	Bnt165 Rigen. Etichetta	1
	3010019582	Etichetta con codice QR	1
B18	05056509	Vite ST2.9x10 (CSK)	2
B19	05056082	Vite-M3x5	2
B20	05056510	Motore-12 v/2 giri/min.	1
	11700005	Connettore a filo	2
B21	05056045	Piastra di montaggio del motore	1
B22	05056501	Bnt165 Ingranaggio di trasmissione	1
A04	05010081	Bnt65 Stelo del pistone	1
B23	05056002	Ingranaggio folle	1
B24	05010031	Gruppo contatore	1
	05010046	Scaricatore di tensione del contatore	1
B25	05056094	Molla tendicinghia	1
B26	05056098	Perno del motore	1
B27	05056502	Fermo a molla	1
B28	05056507	Bnt165 Cavo di alimentazione	1
	05056013	Bnt65 Scaricatore di tensione	1
B29	05056092	Sfera-1/4 di pollice	2
B30	05056503	Supporto per magneti	1
B31	05010023	Magnete-3x2,7	1
B32	05056008	Bnt65 Manopola	1
	05056111	Bnt65 Etichetta della manopola	1
B33	05056084	Vite ST3.5x13	1

Vista esplosa del collo della valvola BNT-1650

FILTER INJECTOR OPTION

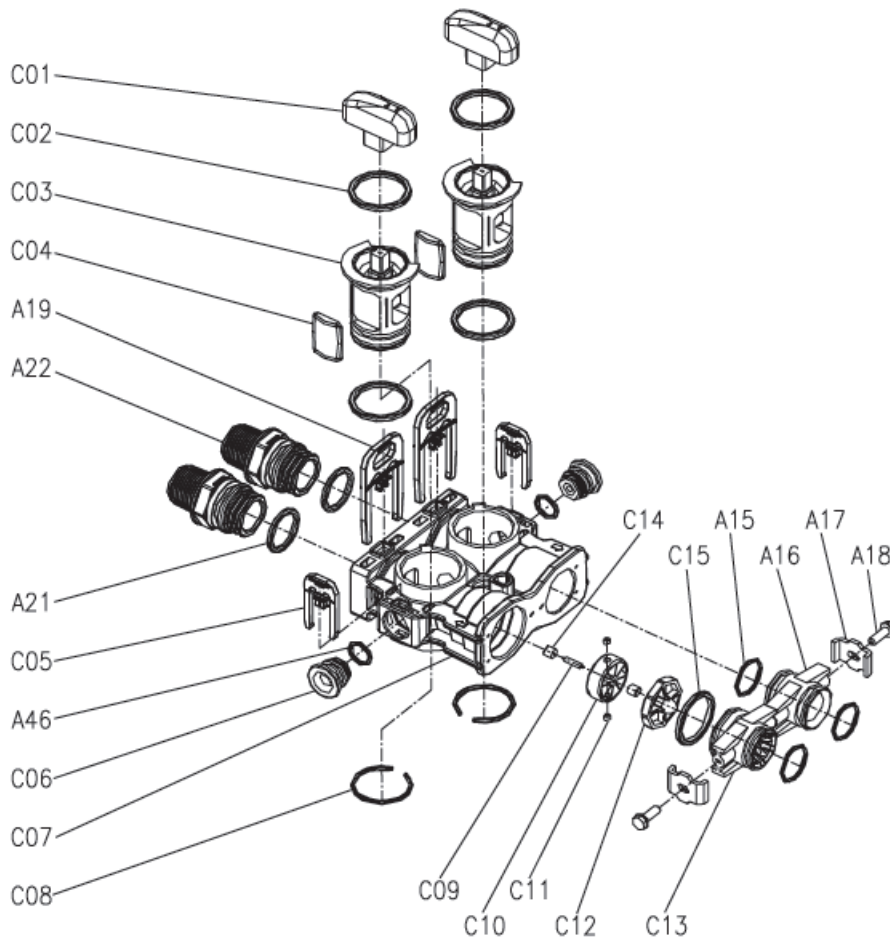


Elenco parti di ricambio del collo della valvola BNT-1650

Articolo n.	Num. parte	Descrizione parte	Quantità
A01	05056087	Vite-M5x12 (esagonale)	3
A02	05056088	Vite-M5x16 (esagonale con rondella)	2
A03	05056047	Fermo della spina terminale	1
A04	05010081	Bnt65 Stelo del pistone	1
A05	05056097	Perno del pistone	1
A06	05056023	Spina terminale	1
A07	05056070	Anello quadr	2
A08	05056024	Rondella della spina terminale	1
A09	05056022	Fermo del pistone	1
A10	05056181	Pistone (elettrico)	1
A11	05056104	Silenziatore	1
A12	05056021	Distanziatore	4
A13	05056073	Guarnizione	5
A14	05056019	Bnt65 Corpo valvola	1
A15	05056063	O-ring-q78.74x5.33	1
A16	05056129	O-ring q23x3	4
A17	05056025	Accoppiamento dell'adattatore	2
A18	05056044	Clip dell'adattatore	2
A19	05056090	Vite ST4.2x13 (esagonale con rondella)	2
A20	21709003	Clip di sicurezza	2
A21	05056140	Connettore della valvola	1
A22	05056065	O-ring q23.6x2.65	2
A23	21319006	Adattatore a vite	2
A24	26010103	O-ring q25x3.55	1
A25	07060007	Connettore inferiore della valvola	1
A26	13000426	Vite ST2.9x13 (wafer grande)	2
A27	05010082	Raccordo di scarico-B	1
A28	05056134	O-ring 12x2	2
A29	05056172	Clip di sicurezza S	1
A30	05056186	DLFC-2#	1
A31	05056035	BL F C Fermo del pulsante	1
A32	05056191	BL F C-2#	1
A33	05056138	O-ring 14x1.8	1
A34	05056100B	BL F C Raccordo	1
A35	05056106	Schermo della linea della salamoia	1
A36	05056107	BL F C Insetto per tubo	1
A37	05056033	BL F C Femula	1
A38	05056108	BL F C Dado del raccordo	1
A39	05056066	Vite-M6x30 (esagonale con rondella)	2
A40	05056029	Copertura dell'iniettore	1
A41	05056072	O-ring q24x2	1
A42	05056103	Schermo dell'iniettore	1
A43	05056027	Ugello dell'iniettore	1
A44	05056028	Gola dell'iniettore	1
A45	05056177	Corpo dell'iniettore-B	1
A46	05056075	Sede dell'iniettore	1

A47	05056054	Distanziatore dell'iniettore	1
A49	05056081	O-ring 12.5x1.8	1
A50	05056030	Tappo dell'iniettore	1
A51	05056093	Schermo dell'iniettore	1
A52	05010049	Rondella speciale	1
A53	05056105	Anello di blocco	1
A54	05056067	O-ring 7.8x1.9	2
A55	05056037	Dispersore d'aria	1
A56	05056066	O-ring 11x2	1
A57	05056165	Corpo dell'iniettore (filtro)	1

Vista esplosa della valvola di bypass



Elenco parti di ricambio valvola di bypass BNT-1650

Articolo n.	Num. parte	Descrizione parte	Quantità
C01	05056147	Manopola di bypass	2
C02	26010028	O-ring 28x2.65	4
C03	05056148	Spina di bypass	2
C04	05056149	Guarnizione di bypass	2
A20	21709003	Clip di sicurezza	2
A23	21319006	Adattatore per viti	2
A22	05056065	O-ring 23.6x2.65	2
C05	05056172	Clip di sicurezza S	2
A48	05056134	O-ring 12x2	1
C06	05056146	Paratia	2
C07	05056145	Corpo di bypass	1
C08	05056150	Collare 32x2.5	2
C09	05010079	Perno della girante	1
C10	05010014	Girante	1
C11	05010078	Magnete 4x3	2
C12	05010077	Supporto della girante	1
C13	05010083	Distributore dell'adattatore	1
C14	05010019	Supporto per perni	2
C15	26010046	O-ring 27x3	1
A16	05056129	O-ring 23x3	3
A17	05056025	Accoppiamento dell'adattatore	1
A18	05056044	Clip dell'adattatore	2
A19	05056090	Vite ST4.2x13 (esagonale con rondella)	2

Dati tecnici

Pressione di esercizio: da 2,0 bar a 6,0 bar
Temperatura ambiente: da +5 °C a +40 °C
Collegamento con l'impianto: Ingresso: 230 V / 50 Hz -- Uscita: 25 V / 50 Hz
Filettatura al recipiente in pressione: 2.5" NPSM
Dimensioni di connessione ingresso/uscita: 3/4"

Instrukcja obsługi

Instrukcja programowania

Kontrolowana ilościowo regeneracja opóźniona w czasie

200 g zasolenie >prąd stały<
R2D2- 32 / 48 / 72



Zmiękcacz wody R2D2
Pojemność 32, 48 i 72
z zaworem sterującym BNT 1650

Spis treści

Ważne instrukcje	94
Instrukcje bezpieczeństwa	94
Obszary zastosowań	95
Sól regeneracyjna	96
Ostrzeżenia o zagrożeniach	96
Konserwacja / serwis	96
Przechowywanie i transport	96
Instalacja	97
Uruchomienie	98
Regulacja ustawień na zaworze sterującym	99
Programowanie zaworu sterującego	102
Obliczanie zdolności zmiękczenia	105
Ustawianie mieszania	106
Wymiary zaworu sterującego	108
Widok rozstrzelony głowicy kontrolnej z numerami części	109
Widok rozstrzelony szyjki zaworu z numerami części	111
Widok rozstrzelony zaworu obejściowego z numerami części	113

1. Ważne instrukcje

Przed przystąpieniem do instalacji i użytkowania urządzenia należy przeczytać w całości niniejszą instrukcję obsługi. Konieczne jest przestrzeganie i stosowanie się do instrukcji bezpieczeństwa.

Zmiękczac został w dużej mierze wstępnie zaprogramowany.

Sprawdź twardość wody i w razie potrzeby skoryguj ustawioną wartość. Nieprawidłowa wartość może prowadzić do awarii! System posiada standardową 3-letnią gwarancję fabryczną. Gwarancja obowiązuje tylko wtedy, gdy system jest używany zgodnie ze wszystkimi przepisami.

2. Instrukcje bezpieczeństwa

Zmiękczac wody musi być zainstalowany w miejscu zabezpieczonym przed mrozem i wilgocią. Nie wolno go instalować na zewnątrz.

Montaż i instalacja mogą być przeprowadzane wyłącznie przez przeszkolonych specjalistów. Prace przy instalacji wodnej mogą być wykonywane wyłącznie przez autoryzowane firmy instalacyjne. Należy ściśle przestrzegać lokalnych przepisów. Pamiętaj, aby postępować zgodnie z instrukcjami zawartymi w instrukcji instalacji!

Ten zmiękczac jest przeznaczony wyłącznie do użytku w sektorze wody pitnej. Nie wolno przekraczać wartości granicznych rozporządzenia w sprawie wody pitnej (TVO), zwłaszcza żelaza (Fe 0,2 mg/l) i manganu (Mn 0,05 mg/l).

Użycie niezgodne z przeznaczeniem jest niedozwolone. Filtr wody musi być zainstalowany przed zmiękczaczem wody, aby chronić go przed zabrudzeniem i zamuleniem.

Zaleca się również zastosowanie filtra ochronnego za urządzeniem, ponieważ uszkodzenia mechaniczne lub wady materiałowe mogą spowodować wypłukanie żywicy jonowymiennej.

Dopuszczalne ciśnienie wody wynosi 2,0 – 6,0 bar. Jeżeli istniejące ciśnienie wody przekracza wartość graniczną, należy zastosować reduktor ciśnienia.

Aby zapobiec uszkodzeniom spowodowanym wodą, w pobliżu miejsca instalacji powinien być dostępny otwarty odpływ. Jeśli to niemożliwe, zainstaluj zawór odcinający przed odpływem, aby zapobiec cofaniu się ścieków.

Miejsce instalacji musi być płaskie, suche i wolne od źródeł ciepła, z temperaturą pomiędzy +5 °C a +40 °C. Upewnij się, że urządzenie jest stabilne i nie może przewrócić się.

W systemach z miedzią i cynkiem, bardzo miękka woda może powodować korozję. Dla twardości wody powyżej 15 °dH zaleca się utrzymanie twardości resztkowej na poziomie 3–5 °dH. Zmiękczacze wody Aqmos domyślnie zmiękcza wodę do 0 °dH, ale można to łatwo dostosować za pomocą śruby mieszającej.

Sprawdź, czy na dopływie wody wymagany jest zawór zapobiegający cofaniu zgodnie z przepisami krajowymi. W razie wątpliwości skontaktuj się z dostawcą wody.

3. Obszary zastosowań

Obszar zastosowania: woda pitna

Przeznaczenie: redukcja twardości wody (wapń/magnez)

Połączenie urządzenia: Wejście: 230 V / 50 Hz Wyjście: 24 V / 50 Hz

Temperatura otoczenia: min +5°C / maks. +40°C

Temperatura wody: min +5°C / maks. +30°C

Ciśnienie operacyjne: min 2 bary / maks. 6 barów

Wilgotność powietrza: maks. 60%

Sól: zgodnie z DIN 19604, DIN EN 973 Typ A

Bryzgoszczelny: NIE

Jony interferencyjne: chlor, żelazo, mangan

4. Sól regeneracyjna

Urządzenie może być używane wyłącznie z tabletkami solnymi wykonanymi z soli warzonej o wysokiej czystości (NaCl) zgodnie z normą DIN 10604 DIN EN 973 typ A. (stopień czystości)

Stosowanie innych soli (drogowej, łamanej) może doprowadzić do zanieczyszczenia urządzenia i do znacznych uszkodzeń. Proszę używać wyłącznie soli regeneracyjnej.

5. Wskazówki dotyczące zagrożeń

Zagrożenie ze strony energii elektrycznej – niebezpieczeństwo porażenia prądem!

Przed przystąpieniem do pracy przy urządzeniu należy zawsze odłączyć wtyczkę sieciową!

Jeśli izolacja kabla lub komponenty elektryczne są uszkodzone, należy je natychmiast wymienić.

Zagrożenie przez ciśnienie wody!

Przed przystąpieniem do pracy przy urządzeniu należy je zawsze rozhermetyzować i zakręcić dopływ wody do bloku montażowego. Aby to zrobić, najpierw zamknąć zewnętrzne zawory, a następnie otworzyć środkowy zawór obejściowy. Jeśli nie ma bloku montażowego, zamknij główny zawór i spuść ciśnienie przez punkt poboru wody znajdujący się jak najniżej w sieci dystrybucji wody.

Zagrożenie z powodu zanieczyszczeń!

Dostosować urządzenie do rzeczywistego zużycia wody, aby zapewnić wystarczający przepływ. Jeśli urządzenie nie jest używane przez dłuższy czas, musi zostać odpowiednio wyłączone przez specjalistyczną firmę. Nigdy nie wyłączać wymuszonej regeneracji.

6. Konserwacja / serwis

Urządzenie powinno podlegać regularnej kontroli przez operatora, aby upewnić się, że działa prawidłowo. W oparciu o normę DIN 1988 część 8 zaleca się coroczną konserwację przez specjalistyczną firmę, aby zapewnić prawidłowe działanie urządzenia.

Wady lub usterki należy natychmiast usuwać.

Operator musi upewnić się, że w urządzeniu zawsze znajduje się wystarczająca ilość soli, aby zapewnić jego prawidłowe działanie.

7. Przechowywanie i transport

Urządzenie może być transportowane wyłącznie w oryginalnym opakowaniu. Przechowywanie może odbywać się wyłącznie w miejscu zabezpieczonym przed mrozem, nie w pobliżu silnych źródeł ciepła i w pozycji stojącej. Zwrócić uwagę na kierunek ustawienia podany na opakowaniu zewnętrznym.

8. Instalacja

Instalacja urządzenia musi być zgodna z obowiązującymi normami i przepisami.

Przyłącze – blok montażowy

Przed przystąpieniem do pracy należy zamknąć zasuwę główną.

Następnie otworzyć za nim punkt poboru i zwolnić ciśnienie resztkowe wody.

Blok montażowy montuje się w ciągu instalacyjnym za wodomierzem, filtrem wody i w razie potrzeby reduktorem ciśnienia.

Podczas stosowania bloku montażowego należy koniecznie zwrócić uwagę na kierunek przepływu (strzałka na bloku montażowym).

Włożyć kurek kontrolny (przód) i korek (tył) zgodnie z kierunkiem przepływu.

Zamknąć dwa zewnętrzne zawory bloku montażowego. Następnie otworzyć środkowy zawór obejściowy. Następnie można ponownie otworzyć główny zawór odcinający. Woda przepływa teraz przez obejście bloku montażowego. Sprawdzić, czy nie ma wycieków.

Przyłącze kanalizacyjne

W pobliżu miejsca instalacji musi znajdować się przyłącze kanalizacyjne. Wąż odpływowy można położyć maksymalnie 120 cm od przyłącza odpływowego urządzenia. Długość powinna wynosić maksymalnie 6 metrów i mieć minimalne nachylenie.

Podłączyć wąż odpływowy (średnica 12 mm) do króćca spustowego (z tyłu głowicy kontrolnej) zaworu sterującego. Zabezpieczyć połączenie za pomocą opaski zaciskowej.

Podłączyć wąż przelewowy do przelewu obudowy szafki (z tyłu pojemnika na sól).

Końcówki węży doprowadzić do przyłącza kanału (oba oddzielnie, proszę nie łączyć trójnikiem. Niebezpieczeństwo przepływu wstecznego!). Użyć otwartego wylotu i/lub zaworu zwrotnego (niebezpieczeństwo przepływu wstecznego). Dostatecznie zamocować węże (niebezpieczeństwo wyslizgnięcia się z powodu skoków ciśnienia).

Przyłącze zmiękczacza

Ustawić urządzenie w żądanej pozycji na poziomie gruntu. Upewnić się, że podłoga jest równa i czysta. Gruz lub kamienie mogą uszkodzić obudowę.

Połączyć przyłącza zaworu sterującego (gwint zewnętrzny 3/4") z przyłączami bloku montażowego (gwint zewnętrzny 1") za pomocą elastycznych węży pancernych. W tym celu należy użyć płaskich uszczelek 3/4". Pamiętać, aby zwrócić uwagę na wejścia i wyjścia (strzałki) połączeń w urządzeniu i bloku montażowym (ryzyko pomyłki!).

Otworzyć czerwone zawory odcinające na zaworze sterującym (muszą być ustawione równoległe do siebie).

Sprawdzić szczelność wszystkich połączeń.

Nie napełniać jeszcze obudowy solą!

Otworzyć dwa zewnętrzne zawory bloku montażowego, dopiero potem zamknąć środkowy zawór

obejściowy. Woda przepływa teraz przez zmiękcacz.
Sprawdzić wszystkie połączenia pod kątem wycieków.

9. Uruchomienie

- Wlać ok. 15 litrów do obudowy (do wysokości ok. 25 cm). Po pierwszej regeneracji w zbiorniku soli jest optymalny poziom wody.

- Sprawdzić, czy przewód solanki (średnio 3/8") między zaworem sterującym a zaworem pływakowym jest dobrze osadzony.

- Podłączyć zawór sterujący do zasilania. Wyświetlacz LCD miga i pokazuje czas oraz pozostałą pojemność.

- Teraz przeprowadzić ręczną regenerację. W tym celu przekręć duże pokrętko na zaworze sterującym zgodnie z ruchem wskazówek zegara z pozycji „SERV”. Do pozycji „BA. WA.”. Wyświetlacz pokazuje

BACKWASH (PŁUKANIE WSTECZNE)

Urządzenie przeprowadza teraz ręczną regenerację.

Teraz zaczyna się płukanie wsteczne (Backwash).
Pozostały czas jest pokazany w dolnym wierszu wyświetlacza.

Po upływie pozostałego czasu pokrętko ustawia się w pozycji „BRINE” (solenie).
Wyświetlacz pokazuje

BRINE

Urządzenie przeprowadza teraz solenie zmiękczonej żywicy.

Po zasoleniu urządzenie nadal wykonuje kroki „RINSE” (płukanie) i „REFILL” (napełnianie zbiornika solanki).

Upewnić się, że urządzenie nie zasysa powietrza przez wąż solanki, w razie potrzeby sprawdzić połączenia węża solanki.

Poczekać na zakończenie ręcznej regeneracji (ok. 45 min.).

- Teraz urządzenie wypłukało żywicę zmiękczonej i napompowało odpowiednią ilość wody w zbiorniku solanki.

- Teraz napełnić tabletki soli do zbiornika solanki, aż będzie całkowicie napełniony. Trwa to około 4-6 godzin, aż sól rozpuści się w wodzie do maksymalnego stężenia i powstanie solanka.

Poziom napełnienia tabletek solnych spada. Nie dodawać dodatkowej wody!

- Teraz można dokonać ustawień zaworu sterującego. (Urządzenie jest przez nas w pełni ustawione.) Wszystko, co trzeba zrobić, to ustawić czas i pojemność.

10. Regulacja ustawień na zaworze sterującym

Zawór sterujący jest sterowany przez łatwą w obsłudze elektronikę za pośrednictwem wyświetlacza LCD.

Podczas normalnej pracy wyświetlany jest aktualny czas i pozostała pojemność do następnej regeneracji.

Pojemność jest pokazana w T (tonach). Tona odpowiada 1000 litrom lub 1 m³ wody.

Ustawiliśmy już zawór sterujący w trybie "Tryb objętościowy z wymuszoną regeneracją" (meter override). Twardość wody, która ma zostać usunięta, musi być dostosowana do posiadanej twardości. Nie należy zmieniać trybu pracy, aby zapobiec skażeniu.

Wszystkie poniższe wartości są już dla Ciebie ustawione!

Parametr		Opcje	Opis
1	LANGUAGE (JĘZYK)	ENGLISH (ANGIELSKI) itp.	Wybór języka menu (angielski, hiszpański, turecki, polski, francuski, rosyjski)
2	REGION	METRIC (METRYKA)	Wybór jednostek
		USA	Galony (USA) lub tony (1 tona = 1000 l)
3	TRYB REGENERACJI	CALENDAR (KALENDARZ) CLOCK (ZEGAR)	W tym trybie urządzenie regeneruje się po ustalonej zaprogramowanej liczbie dni o ustalonej godzinie. Ilość wody zużytej w tym okresie <u>nie</u> jest brana pod uwagę. Skrót na wyświetlaczu: CC (Calendar Clock – zegar kalendarzowy)
		METER (LICZNIK) IMMEDIATE (NATYCHMIASTOWY)	W tym trybie urządzenie regeneruje się po osiągnięciu stałej zaprogramowanej ilości wody. Po osiągnięciu określonej objętości następuje <u>natychmiastowa regeneracja</u> . Skrót na wyświetlaczu: MI (Meter Immediate – licznik natychmiastowy)
		METER (LICZNIK) DELAY (OPÓŹNIENIE)	W tym trybie urządzenie regeneruje się po osiągnięciu stałej zaprogramowanej ilości wody. Po osiągnięciu określonej objętości następuje regeneracja o określonej godzinie (z opóźnieniem).

			Skrót na wyświetlaczu: MD (Meter Delay – opóźnienie licznika)
		<u>METER (LICZNIK)</u> <u>OVERRIDE (NADPISANIE)</u>	<p>W tym trybie urządzenie regeneruje się po osiągnięciu stałej zaprogramowanej ilości wody.</p> <p>Po osiągnięciu określonej objętości następuje regeneracja o określonej godzinie (z opóźnieniem). Dodatkowo po określonej liczbie dni uruchamiana jest wymuszona regeneracja, niezależnie od zużytej objętości. Zapobiega to skażeniu urządzenia, gdy woda nie jest używana (np. podczas urlopu).</p> <p>Skrót na wyświetlaczu: MO (Meter Override – nadpisanie licznika)</p>
4	TIME (CZAS)		Tutaj ustawia się czas.
5	REG. TIME (CZAS) (REGENERATION (REGENERACJA) DAYS (DNI))	2:00	Wprowadzić czas, w którym urządzenie powinno się zregenerować. Zalecamy godzinę 2:00, ponieważ o tej porze woda jest rzadko spożywana.
6	REG. DAYS (DNI) (REGENERATION DAYS – DNI REGENERACJI)	7	Wprowadzić liczbę dni, po których urządzenie ma się zregenerować (tylko w trybach „Calendar Clock” i „Meter Override”).
7	REG. CAP.	R2D2-32 = 1,45 tony R2D2-48 = 2,10 tony R2D2-72 = 3,20 tony	Tutaj określana jest zdolność zmiękczenia. Wydajność jest obliczana na podstawie istniejącej twardości wody i ilości żywicy zmiękczej oraz żądanego mieszania na zaworze sterującym.
8	BACKWASH (płukanie wsteczne)	R2D2-32 = 1 min R2D2-48 = 1 min R2D2-72 = 2 min	Czas trwania płukania wstecznego żywicy zmiękczej w minutach. Płukanie wsteczne czyści żywicę. Nie zmieniaj tej wartości.
9	BRINE (solenie)	R2D2-32 = 28 min R2D2-48 = 35 min	Czas solenia zmiękczacza w minutach. Solenie solanką regeneruje żywicę i przywraca jej pierwotną zdolność

		R2D2-72 = 40 min	zmiękczenia. <u>Nie zmieniaj tej wartości.</u>
10	RINSE (płukanie)	R2D2-32 = 2 min R2D2-48 = 2 min R2D2-72 = 3 min	Czas trwania płukania żywicy zmiękczonej w minutach. Końcowe płukanie wypłukuje resztki solanki i wszelkie zanieczyszczenia ze złoża żywicy. <u>Nie zmieniaj tej wartości.</u>
11	REFILL (napełnić zbiornik solanki)	R2D2-32 = 3,2 min R2D2-48 = 4,8 min R2D2-72 = 7,2 min	Czas napełniania zbiornika solanki w minutach. Podczas napełniania zbiornik solanki jest ponownie napełniany wodą, dzięki czemu może powstać nowa solanka do następnego procesu regeneracji. <u>Nie zmieniaj tej wartości.</u>
12	LOAD DEFAULT (reset do ustawień fabrycznych)		Zresetuj wszystkie ustawienia do zera. Urządzenie jest już zaprogramowane na wartości niemieckie. Jeśli zresetujesz, zostaną one również nadpisane. <u>Nie włączaj tej funkcji.</u>

Tryb „Tryb objętościowy z wymuszoną regeneracją” zalecany dla użytkowników europejskich

(Meter Override) został już ustawiony i nie powinien być zmieniany.

Do poprawnej pracy w tym trybie wystarczy wprowadzić tylko kilka ustawień.

Ustawianie czasu

Spowoduje to regenerację o wybranej godzinie (domyślnie: 2:00 rano).

Ustawienie dni do przeprowadzenia wymuszonej regeneracji

Ze względów higienicznych ustawiliśmy wymuszoną regenerację na 7 dni. (Można również zwiększyć do 10 dni, aby zapewnić bardziej wydajną pracę).

Regulacja wydajności zmiękczenia

W zależności od wielkości urządzenia (ilość żywicy zmiękczonej) i twardości wody należy obliczyć oraz wprowadzić wydajność. **Patrz rozdział 12**

Sprawdzenie wszystkich parametrów

Sprawdź, czy wszystkie parametry odpowiadają rozmiarowi urządzenia.

11. Programowanie zaworu sterującego w trybie „tryb objętościowy z wymuszoną regeneracją” (Meter Override)

Naciskać przycisk „□” przez 3 sekundy, aby zwolnić blokadę klawiszy (unlock screen).
Nacisnąć przycisk „□”, aby przejść do menu.

Pojawi się „LANGUAGE (JĘZYK)”.
Nacisnąć przycisk „■”. Wskaźnik zacznie migać.
Za pomocą przycisków „▲” i „▼” wybrać tryb „ENGLISH”.
Zapisać ten wpis przyciskiem „■”.

Naciśnięcie przycisku „▼” powoduje przejście do następnego punktu.

Pojawi się „REGION METRIC” lub „REGION US”.
Nacisnąć przycisk „■”. Wskaźnik zacznie migać.
Za pomocą przycisków „▲” i „▼” wybrać tryb „REGION METRIC”.
Zapisać ten wpis przyciskiem „■”.

Naciśnięcie przycisku „▼” powoduje przejście do następnego punktu.

Zostanie wyświetlony jeden z następujących trybów: „METER DELAY”, „METER OVERRIDE”, „METER IMMEDIAT”, „CALENDAR CLOCK”.
Nacisnąć przycisk „■”. Wskaźnik zacznie migać.
Za pomocą przycisków „▲” i „▼” wybrać tryb „METER OVERRIDE”.
Zapisać wpis przyciskiem „■”.

Naciśnięcie przycisku „▼” powoduje przejście do następnego punktu.

Nastąpi wyświetlenie: „TIME” (aktualny czas).
Nacisnąć przycisk „■”. Wskaźnik zacznie migać.
Za pomocą przycisków „▲” i „▼” wybrać godzinę.
Zapisać wpis przyciskiem „■”.

Ustawienie minut zacznie migać.
Za pomocą przycisków „▲” i „▼” wybrać minuty.
Zapisać ten wpis przyciskiem „■”.

Naciśnięcie przycisku „▼” powoduje przejście do następnego punktu.

Nastąpi wyświetlenie: „REG. TIME”.
Nacisnąć przycisk „■”. Wskaźnik zacznie migać.
Za pomocą przycisków „▲” i „▼” wybrać godzinę.

(Zalecamy „2”)

Zapisać ten wpis przyciskiem „■”.

Ustawienie minut zacznie migać.

Za pomocą przycisków „▲” i „▼” wybrać minuty.

(Zalecamy „0”)

Zapisać ten wpis przyciskiem „■”.

Naciśnięcie przycisku „▼” powoduje przejście do następnego punktu.

Nastąpi wyświetlenie: „REG. DAYS”.

Nacisnąć przycisk „■”. Wskaźnik zacznie migać.

Użyć przycisków „▲” i „▼”, aby wybrać dni.

(Zalecamy „07”)

Zapisać ten wpis przyciskiem „■”.

Naciśnięcie przycisku „▼” powoduje przejście do następnego punktu.

Nastąpi wyświetlenie „REG. CAP.”.

Nacisnąć przycisk „■”. Wskaźnik zacznie migać.

Za pomocą przycisków „▲” i „▼” wybrać pojemność w tonach (= 1000 litrów).

Wprowadź wartość objętości z tabeli na stronie 105.

Zapisać ten wpis przyciskiem „■”.

Teraz zacznie migać ustawienie pojemności w litrach.

Za pomocą przycisków „▲” i „▼” wybrać pojemność w litrach.

Wpisz tutaj wartość dziesiętną z tabeli ze strony 105.

Zapisać ten wpis przyciskiem „■”.

Naciśnięcie przycisku „▼” powoduje przejście do następnego punktu.

Nastąpi wyświetlenie: „BACKWASH”.

Nacisnąć przycisk „■”. Wskaźnik zacznie migać.

Za pomocą przycisków „▲” i „▼” wybrać odpowiedni czas w minutach dla swojego urządzenia:

R2D2-32: 01 min.

R2D2-48: 01 min.

R2D2-72: 01 min.

Zapisać ten wpis przyciskiem „■”.

Naciśnięcie przycisku „▼” powoduje przejście do następnego punktu.

Nastąpi wyświetlenie: „BRINE”.

Nacisnąć przycisk „■”. Wskaźnik zacznie migać.

Za pomocą przycisków „▲” i „▼” wybrać odpowiedni czas w minutach dla swojego urządzenia:

R2D2-32: 28 min.

R2D2-48: 35 min.

R2D2-72: 40 min.

Zapisać ten wpis przyciskiem „■”.

Nastąpi wyświetlenie: „RINSE”.

Nacisnąć przycisk „■”. Wskaźnik zacznie migać.

Za pomocą przycisków „▲” i „▼” wybrać odpowiedni czas w minutach dla swojego urządzenia:

R2D2-32: 02 min.

R2D2-48: 02 min.

R2D2-72: 03 min.

Zapisać ten wpis przyciskiem „■”.

Naciśnięcie przycisku „▼” powoduje przejście do następnego punktu.

Nastąpi wyświetlenie: „REFILL”.

Nacisnąć przycisk „■”. Wskaźnik zacznie migać.

Za pomocą przycisków „▲” i „▼” wybrać odpowiedni czas w minutach dla swojego urządzenia:

R2D2-32: 03.2 min.

R2D2-48: 04.8 min.

R2D2-72: 07.2 min.

Zapisać ten wpis przyciskiem „■”.

Nacisnąć przycisk „□”, aby wyjść z programowania.

Twój zmiękcacz wody jest teraz w pełni zaprogramowany i gotowy do użycia.

12. Obliczanie wydajności zmiękczenia

W zależności od ilości użytej żywicy zmiękczej, zmiękczac może zmiękczać różne ilości wody. Istotny wpływ na wydajność urządzenia ma również twardość wody surowej.

Obie wartości muszą być znane i zapisane w zaworze sterującym, aby urządzenie działało możliwie wydajnie i poprawnie.

Użyć zestawu do pomiaru twardości całkowitej, aby łatwo określić twardość wody surowej. Alternatywnie można sprawdzić twardość wody z informacji dostarczonych przez Twoje przedsiębiorstwo wodociągowe (np. na jego stronie internetowej).

W razie potrzeby można również samodzielnie obliczyć wartości w poniższej tabeli:

Przykład:

32: 20°dH = 1200 litrów miękkiej wody

48: 20°dH = 1800 litrów miękkiej wody

72: 10°dH = 5400 litrów miękkiej wody

		R2D2-32	R2D2-48	R2D2-72
°dH	°fH			
5	9	4,80 T	7,20 T	10,80 T
6	11	4,00 T	6,00 T	9,00 T
7	12	3,40 T	5,10 T	7,70 T
7,5	13	3,20 T	4,80 T	7,20 T
8	14	3,00 T	4,50 T	6,70 T
9	16	2,60 T	4,00 T	6,00 T
10	18	2,40 T	3,60 T	5,40 T
11	20	2,10 T	3,20 T	4,90 T
12	21	2,00 T	3,00 T	4,50 T
13	23	1,80 T	2,70 T	4,10 T
14	25	1,70 T	2,50 T	3,80 T
15	27	1,60 T	2,40 T	3,60 T
16	29	1,50 T	2,20 T	3,30 T
17	30	1,40 T	2,10 T	3,10 T
18	32	1,30 T	2,00 T	3,00 T
19	34	1,20 T	1,90 T	2,80 T
20	36	1,20 T	1,80 T	2,70 T
21	37	1,10 T	1,70 T	2,50 T
22	39	1,00 T	1,60 T	2,40 T
23	41	1,00 T	1,50 T	2,30 T
24	43	1,00 T	1,50 T	2,20 T
25	45	0,90 T	1,40 T	2,10 T
26	46	0,90 T	1,30 T	2,00 T
27	48	0,80 T	1,30 T	2,00 T
28	50	0,80 T	1,20 T	1,90 T
29	52	0,80 T	1,20 T	1,80 T
30	54	0,80 T	1,20 T	1,80 T

13. Ustawienie mieszania

Urządzenie zmiękcza wodę surową do 0 °dH.

Zalecamy przestrzeganie zaleceń producentów urządzeń, takich jak podgrzewacze wody. Jeśli podano określoną twardość wody, może być konieczne zmieszanie zmiękczonej wody z wodą surową do zalecanej twardości.

Możliwość 1 – zintegrowany zawór mieszający na głowicy sterującej

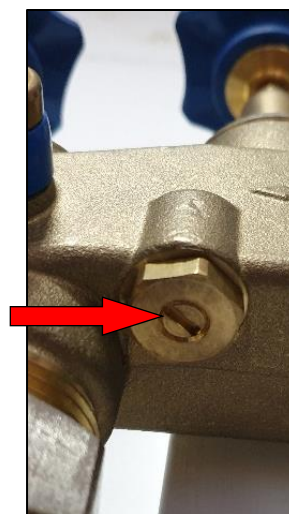


Kręć śrubą regulacyjną zmienia się mieszanie z wodą surową.

Obrót zgodnie z ruchem wskazówek zegara: twardość wody zwiększa się.

Obrót przeciwnie do ruchu wskazówek zegara: twardość wody zmniejsza się.

Możliwość 2 – śruba z rowkiem na bloku montażowym



Śruba z rowkiem do regulacji twardości resztkowej

Obracając śrubę z rowkiem, zmienia się również mieszanie z wodą surową.

Obrót przeciwnie do ruchu wskazówek zegara: twardość wody zwiększa się.

Obrót zgodnie z ruchem wskazówek zegara: twardość wody zmniejsza się.

Zalecamy mieszanie nad blokiem montażowym.

Wynik jest dokładniejszy. Ponadto blok montażowy jest wykonany z mosiądzu, dzięki czemu jest bardziej wytrzymały.

Sprawdzić twardość wody w kranie (pobór próbki na bloku montażowym) w pobliżu urządzenia za pomocą zestawu do pomiaru twardości wody (roztwór miarowy).

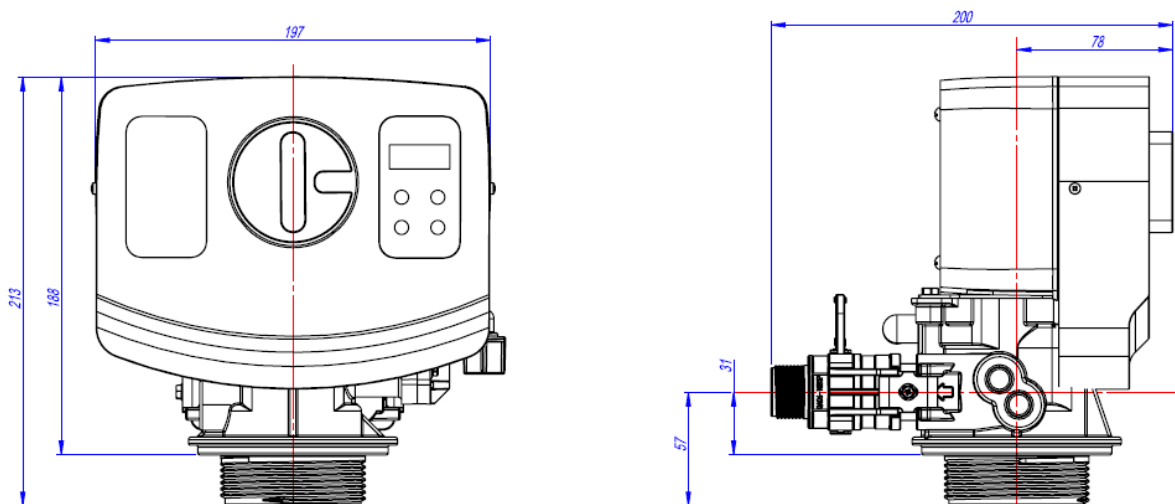
Pozostawić stale płynącą wodę w kranie. Twardość wody mierzyć tylko z zimną wodą (ciepła woda przepływa przez podgrzewacz i stopniowo mięknie).

W zależności od odległości od kranu pomiar twardości świeżo zmieszanej wody może zająć dużo czasu. (Dlatego proszę mierzyć bezpośrednio przy kranie do pobierania próbek na bloku montażowym)

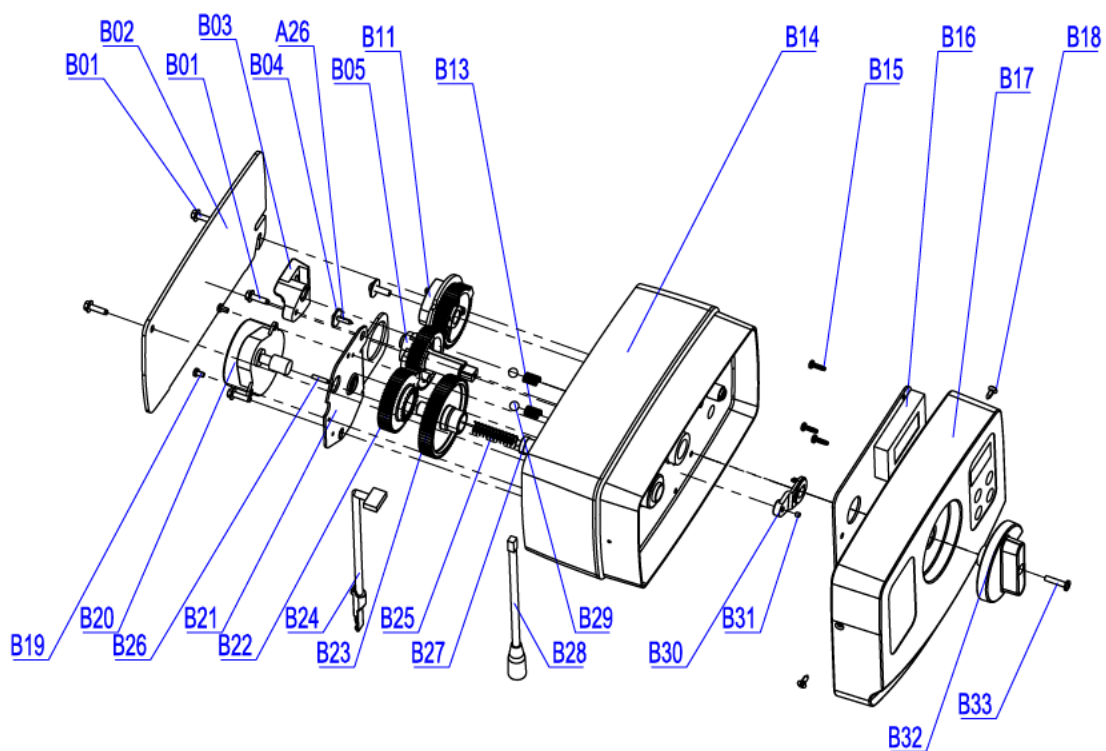
Najlepiej odkręcić pobliski kran z wodą do połowy masztu i wyregulować twardość wody.

14. Rysunki

Wymiary zaworu sterującego



Widok rozstrzelony głowicy kontrolnej BNT1650

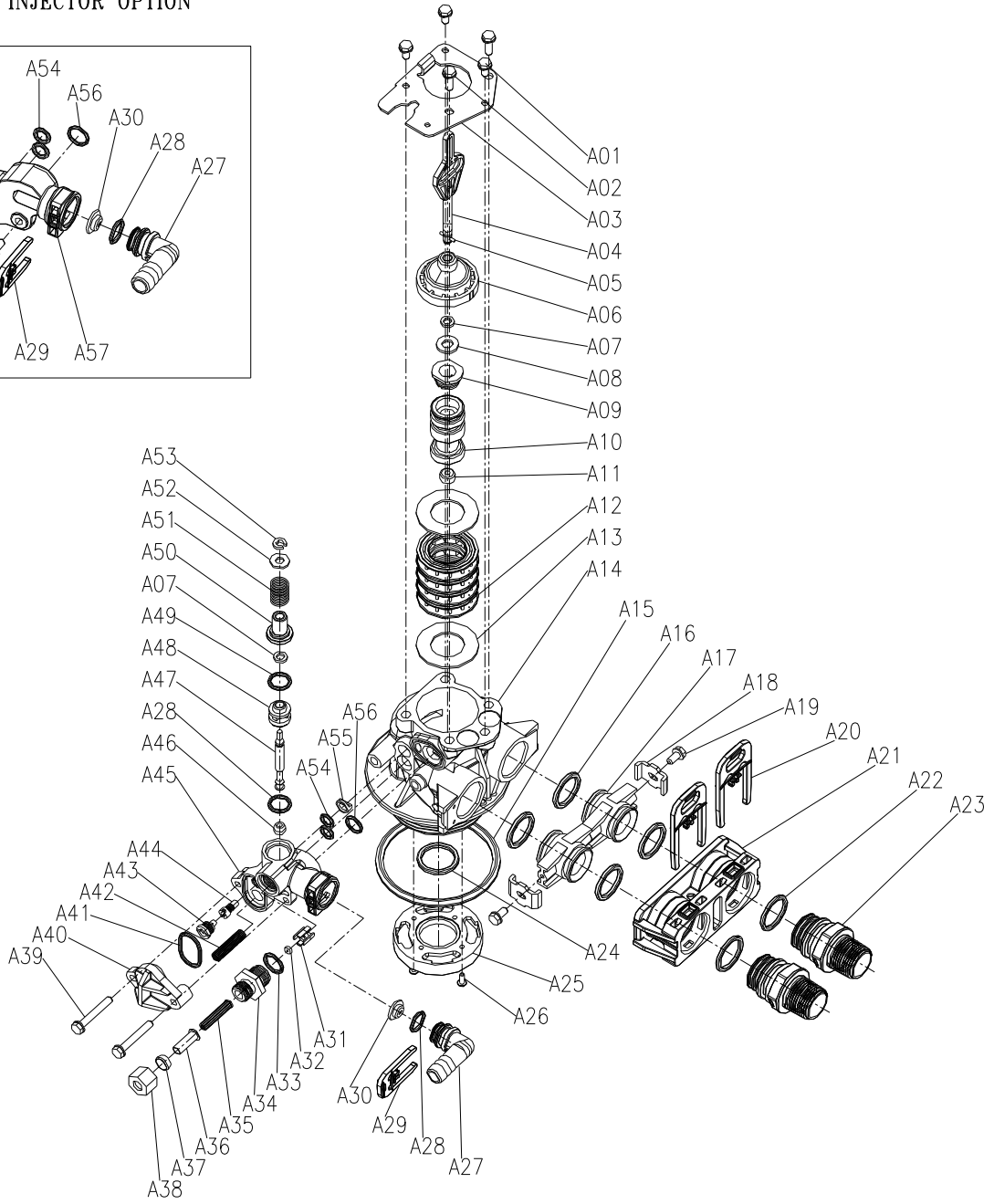
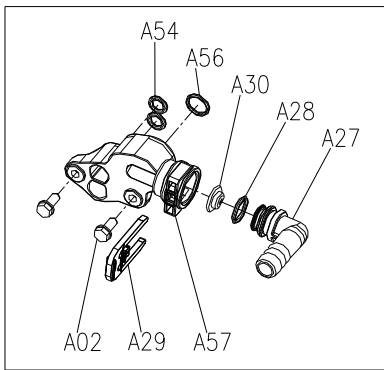


Lista części zamiennych BNT-1650

	Nr części	Opis części	Ilość
B01	05056136	Śruba-ST3.5x13 (sześciokąt z podkładką)	4
B02	05056014	Tyłna pokrywa Bnt65	1
B03	05010045	Uchwyt trzonka tłoka	1
A26	13000426	Śruba-ST2.9x13 (duża woda)	1
B04	05056139	Podkładka-3x13	1
B05	05056005	Główne koło zębate	1
B06	05056083	Śruba-M4x14	1
B07	05056166	Śruba-ST4.2x12 (duża woda)	1
B08	05056141	Podkładka-4x12	1
B09	13111004	Podkładka 4x9	1
B10	05056016	Regulator napełniania	1
B11	05056015	Przekładnia solanki	1
B12	05056089	Nakrętka-M4	1
B13	05056095	Zatrzymanie skoku	2
B14	05056001	Obudowa Bnt65	1
B15	05010037	Śruba ST2.9x10	5
B16	05056504	Płytką Bnt165	1
B17	05056500	Ostona przednia Bnt165	1
	05056505	Etykieta pracy Bnt165	1
	05056506	Bnt165 etykieta regeneracji	1
	3010019582	Etykieta z kodem QR	1
B18	05056509	Śruba-ST2.9x10 (CSK)	2
B19	05056082	Śruba-M3x5	2
B20	05056510	Silnik 12v/2rpm	1
	11700005	Złącze przewodu	2
B21	05056045	Płyta montażowa silnika	1
B22	05056501	Przekładnia napędowa Bnt165	1
A04	05010081	Tłoczysko Bnt65	1
B23	05056002	Bieg jałowy	1
B24	05010031	Montaż licznika	1
	05010046	Zacisk licznika	1
B25	05056094	Koło pasowe luźne napinacza	1
B26	05056098	Pin silnika	1
B27	05056502	Zabezpieczenia sprężynowe	1
B28	05056507	Kabel zasilający Bnt165	1
	05056013	Odciążenie przewodu zasilającego Bnt65	1
B29	05056092	Kula-1/4 cala	2
B30	05056503	Uchwyt na magnes	1
B31	05010023	Magnes 3x2,7	1
B32	05056008	Pokrętło Bnt65	1
	05056111	Etykieta pokrętła Bnt65	1
B33	05056084	Śruba-ST3.5x13	1

Widok rozstrzelony szyjki zaworu BNT-1650

FILTER INJECTOR OPTION

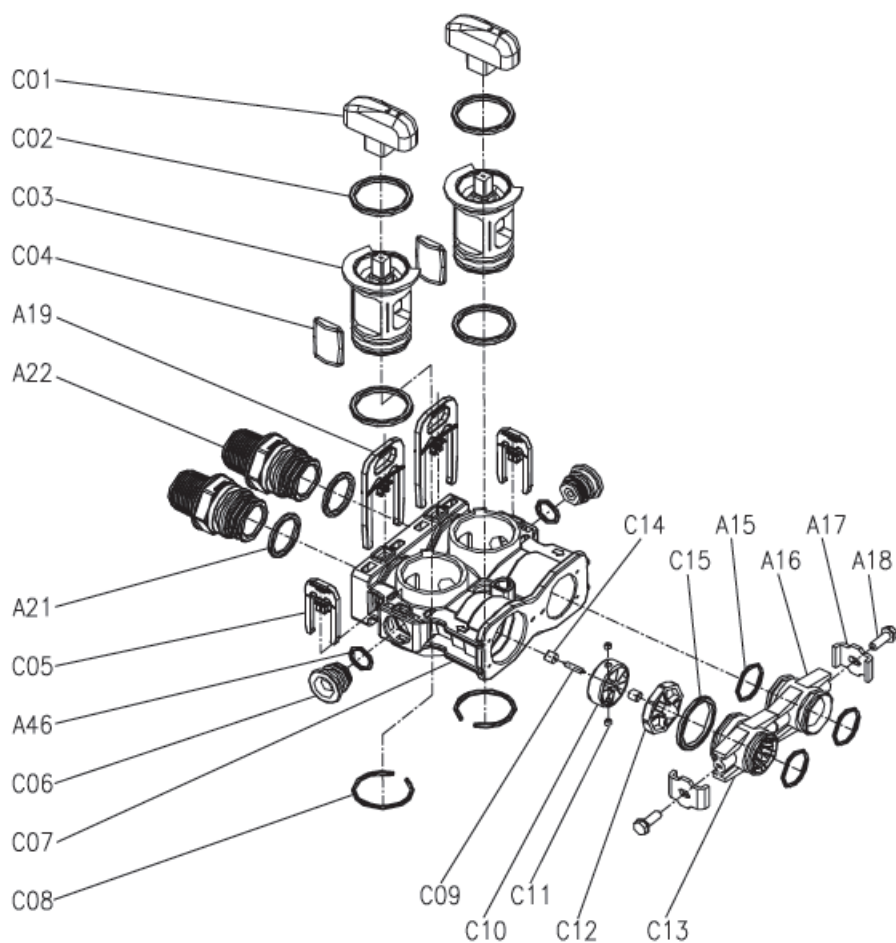


Lista części zamiennych – szyjka zaworu BNT-1650

Nr pozycji	Nr części	Opis części	Ilość
A01	05056087	Śruba-M5x12 (sześciokąt)	3
A02	05056088	Śruba-M5x16 (sześciokątna z podkładką)	2
A03	05056047	Element ustalający wtyczki końcowej	1
A04	05010081	Tłoczysko Bnt65	1
A05	05056097	Sworzeń tłoka	1
A06	05056023	Wtyczka końcowa	1
A07	05056070	Pierścień czworokąta	2
A08	05056024	Podkładka zatyczki końcowej	1
A09	05056022	Elementy ustalające tłoka	1
A10	05056181	Tłok (elektryczny)	1
A11	05056104	Tłumik	1
A12	05056021	Przekładka	4
A13	05056073	Uszczelka	5
A14	05056019	Korpus zaworu Bnt65	1
A15	05056063	O-ring q78.74x5.33	1
A16	05056129	O-ring q23x3	4
A17	05056025	Złącze adaptera	2
A18	05056044	Klips adaptera	2
A19	05056090	Śruba ST4.2x13 (sześciokątna z podkładką)	2
A20	21709003	Klips Secune	2
A21	05056140	Złącze zaworu	1
A22	05056065	O-ring q23,6x2,65	2
A23	21319006	Adapter śrubowy	2
A24	26010103	O-ring q25x3,55	1
A25	07060007	Złącze dolne zaworu	1
A26	13000426	Śruba ST2.9x13 (duża płytka)	2
A27	05010082	Złączka spustowa-B	1
A28	05056134	O-ring 12x2	2
A29	05056172	Klips Sesune S	1
A30	05056186	DLFC-2#	1
A31	05056035	Element ustalający przycisk BL FC	1
A32	05056191	BL F C-2#	1
A33	05056138	O-ring 14x1,8	1
A34	05056100B	Złączka BL FC	1
A35	05056106	Ekran linii solanki	1
A36	05056107	Wkładka rurowa BL FC	1
A37	05056033	BL F C Femule	1
A38	05056108	Nakrętka mocująca BL FC	1
A39	05056066	Śruba-M6x30 (sześciokątna z podkładką)	2
A40	05056029	Ośłona wtryskiwacza	1
A41	05056072	O-ring q24x2	1
A42	05056103	Ekran wtryskiwacza	1
A43	05056027	Dysza wtryskiwacza	1
A44	05056028	Szyjka wtryskiwacza	1
A45	05056177	Korpus wtryskiwacza-B	1
A46	05056075	Gniazdo wtryskiwacza	1
A47	05056054	Przekładki wtryskiwaczy	1

A49	05056081	Oring 12,5x1,8	1
A50	05056030	Nasadka wtryskiwacza	1
A51	05056093	Ekran wtryskiwacza	1
A52	05010049	Specjalna podkładka	1
A53	05056105	Pierścień ustalający	1
A54	05056067	O-ring 7,8x1,9	2
A55	05056037	Dyspergator powietrza	1
A56	05056066	O-ring 11x2	1
A57	05056165	Korpus wtryskiwacza (filtr)	1

Widok rozstrzelony zaworu obejściowego



Lista części zamiennych – zawór obejściowy BNT-1650

Nr pozycji	Nr części	Opis części	Ilość
C01	05056147	Pokrętło obejścia	2
C02	26010028	O-ring 28x2,65	4
C03	05056148	Wtyczka obejściowa	2
C04	05056149	Uszczelnienie obejściowe	2
A20	21709003	Bezpieczny klips	2
A23	21319006	Adapter śrubowy	2
A22	05056065	O-ring 23,6x2,65	2
C05	05056172	Bezpieczny klips S	2
A48	05056134	O-ring 12x2	1
C06	05056146	Przegroda	2
C07	05056145	Korpus obejścia	1
C08	05056150	Pierścień 32x2,5	2
C09	05010079	Sworzeń wirnika	1
C10	05010014	Wirnik	1
C11	05010078	Magnes 4x3	2
C12	05010077	Uchwyt wirnika	1
C13	05010083	Dystrybutor adaptera	1
C14	05010019	Uchwyt sworznia	2
C15	26010046	O-ring 27x3	1
A16	05056129	O-ring 23x3	3
A17	05056025	Złącze adaptera	1
A18	05056044	Klips adaptera	2
A19	05056090	Śruba-ST4.2x13 (sześciokąt z podkładką)	2

Dane techniczne

Ciśnienie operacyjne:	2,0 bara do 6,0 bara
Temperatura otoczenia:	+5°C do +40°C
Połączenie urządzenia:	Wejście: 230 V / 50 Hz -- Wyjście: 25 V / 50 Hz
Gwint do naczynia ciśnieniowego:	2.5" NPSM
Rozmiar przyłącza wejście/wyjście:	3/4"

Instrucțiuni

Ghid de programare

Regenerare controlată cantitativ, cu întârziere
Sare 200g >curent continuu<
R2D2- 32 / 48 / 72



Dedurizator de apă R2D2
Capacitate 32 / 48 / 72
cu supapă de control BNT 1650

Cuprins

Indicații importante	115
Instrucțiuni de siguranță	115
Zonele de utilizare	116
Sare de regenerare	117
Avertismente de pericol	117
Întreținere/service	117
Depozitare și transport	117
Instalare	118
Punerea în funcțiune	119
Reglarea setărilor supapei de control	120
Programarea supapei de control	123
Calculul capacității de dedurizare	125
Setarea amestecului	127
Dimensiunile supapei de control	129
Desen desfășurat al capului de control cu numere de piesă	130
Desen desfășurat a gâtului supapei cu numere de piesă	132
Desen desfășurat al supapei bypass cu numere de piesă	134

1. Note importante

Vă rugăm să citiți aceste instrucțiuni de utilizare în regim înainte de a instala și utiliza sistemul. Instrucțiunile de siguranță trebuie să fie respectate și urmate cu strictețe.

Am preprogramat în mare parte dedurizatorul.

Verificați duritatea apei și corectați valoarea prestabilită, dacă este necesar. O valoare incorectă poate duce la defecțiuni! Sistemul vine cu o garanție standard de 3 ani din fabrică. Această garanție este valabilă doar dacă sistemul este utilizat conform tuturor prescripțiilor.

2. Instrucțiuni de siguranță

Dedurizatorul de apă trebuie să fie instalat într-un loc fără îngheț, protejat de umiditate. Nu trebuie să fie instalat în aer liber.

Asamblarea și instalarea pot fi efectuate numai de specialiști instruiți. Lucrările la instalația de apă pot fi efectuate numai de către companii de instalare autorizate. Reglementările locale vor fi respectate cu strictețe. Asigurați-vă că urmați indicațiile din instrucțiunile de instalare!

Acest dedurizator de apă este proiectat numai pentru funcționarea în sectorul apei potabile. Valorile limită ale Ordonanței privind apa potabilă (TVO) nu trebuie să fie depășite, în special pentru fier (Fe 0,2 mg / L) și mangan (Mn 0,05 mg / L).

Orice utilizare care nu corespunde utilizării prevăzute nu este permisă. În special, pentru a proteja dedurizatorul de apă de contaminare și siltare, trebuie să fie instalat un filtru de apă în fața acestuia.

Utilizarea unui filtru de protecție în spatele sistemului este recomandată, deoarece rășina schimbătoare de ioni ar putea fi spălată din cauza deteriorării mecanice sau a defectelor materiale.

Presiunea admisă a apei este de 2,0 – 6,0 bari. Dacă presiunea existentă a apei depășește valoarea limită, trebuie să fie utilizat un reductor de presiune.

Pentru a preveni daunele cauzate de apă, trebuie să existe un drenaj deschis în apropierea locației de instalare. Dacă acest lucru nu este posibil, instalați un dispozitiv de protecție înainte de drenaj pentru a preveni refluxul apelor uzate.

Locația de instalare trebuie să fie plată, uscată și fără surse de căldură, cu o temperatură între +5 °C și +40 °C. Asigurați-vă că dispozitivul este stabil și nu poate cădea.

În sistemele cu cupru și zinc, apa prea moale poate cauza coroziune. Pentru o duritate a apei mai mare de 15 °dH, se recomandă menținerea unei durtăți reziduale între 3–5 °dH. Dedurizatorul de apă Aqmos reduce automat duritatea la 0 °dH, dar acest lucru poate fi ajustat ușor cu șurubul de amestec.

Verificați dacă este necesar un dispozitiv de prevenire a refluxului pe alimentarea cu apă, conform reglementărilor naționale. În caz de îndoială, contactați furnizorul de apă.

3. Zonele de utilizare

Zona de utilizare: Apă potabilă

Utilizarea prevăzută: Reducerea durtății apei (calciu / magneziu)

Conexiune sistem: Intrare: leșire 230 V / 50 Hz: 24 V / 50 Hz

Temperatura mediului ambiant: min. +5 °C / max. +40 °C

Temperatura apei: min. +5 °C / max. +30 °C

Presiunea de lucru: min. 2 bar / max. 6 bar

Umiditate: max. 60 %

Sare: conform DIN 19604, DIN EN 973 tip A

Rezistent la stropire: nu

Ioni de interferență: clor, fier, mangan

4. Sare de regenerare

Sistemul poate fi utilizat numai cu tablete de sare fabricate din sare evaporată de înaltă puritate (NaCl) conform DIN 10604 DIN EN 973 tip A. (puritate)

Utilizarea altor săruri (sare rutieră, sare spartă) poate duce la contaminarea sistemului și poate duce la daune considerabile. Vă rugăm să utilizați numai sare de regenerare.

5. Avertismente

Pericol din cauza energiei electrice – risc de electrocutare!

Trageți întotdeauna ștecherul de alimentare înainte de a lucra la sistem!

În cazul deteriorării izolației cablului sau a componentelor electrice, acestea trebuie să fie înlocuite imediat.

Pericol din cauza presiunii apei!

Înainte de a lucra la sistem, eliberați întotdeauna presiunea și opriți apa de pe blocul de montare. Pentru a face acest lucru, închideți mai întâi supapele exterioare, apoi deschideți supapa de bypass din mijloc. Dacă nu există un bloc de montaj, închideți vana principală și eliberați presiunea printr-un punct de robinet situat cât mai jos posibil în rețeaua de distribuție a apei.

Pericol de contaminare!

Adaptați sistemul la consumul real de apă pentru a asigura un debit suficient. Dacă nu este utilizat pentru o perioadă mai lungă de timp, sistemul trebuie să fie scos din funcțiune corespunzător de către o companie specializată. Nu dezactivați niciodată regenerarea forțată.

6. Mentenanță/service

Instalația ar trebui să facă obiectul unor teste periodice efectuate de operator pentru a se asigura buna funcționare a acesteia. Se recomandă întreținerea anuală de către o companie specializată pentru o funcționare impecabilă din punct de vedere tehnic - pe baza DIN 1988 Partea 8.

Defectele sau defecțiunile trebuie să fie remediate imediat.

Operatorul trebuie să se asigure că există întotdeauna o cantitate suficientă de sare în instalație pentru a asigura buna funcționare a instalației.

7. Depozitare și transport

Sistemul poate fi transportat doar în ambalajul original. Depozitarea trebuie să fie efectuată numai fără îngheț și nu lângă surse puternice de căldură și în picioare. Trebuie să fie acordată atenție direcției de reglare indicate pe ambalajul exterior.

8. Instalare

Instalarea sistemului trebuie să respecte standardele și reglementările aplicabile.

Blocul de montare a conexiunii

Înainte de a începe lucrul, vă rugăm să închideți supapa principală a barierei.

Apoi deschideți un robinet în spatele acestuia și eliberați presiunea apei reziduale.

Blocul de montare trebuie să fie instalat în linia de instalare după contorul de apă, filtrul de apă și, dacă este necesar, după reductorul de presiune.

În cazul blocului de montare, asigurați-vă că acordați atenție direcției de curgere (săgeata de pe blocul de montare).

Introduceți robinetul de testare (față) și dopul (spate) în funcție de direcția fluxului.

Închideți cele două supape exterioare ale blocului de montare. Apoi deschideți supapa de bypass din mijloc. Supapa principală a barierei poate fi apoi redeschisă. Apa curge acum prin bypass-ul blocului de montare. Verificați dacă există scurgeri.

Racordarea pentru apele uzate

Trebuie să existe o conexiune de canalizare în apropierea locului de instalare. Puteți așeza furtunul de apă uzată cu maximum 120 cm mai sus de conexiunea de apă uzată a sistemului. Lungimea trebuie să fie de max. 6 metri și să aibă o pantă minimă.

Conectați furtunul de canalizare (diametru 12 mm) la duza de scurgere (din spatele capului de control) a supapei de control. Strângeți conexiunea cu o clemă de furtun.

Conectați furtunul de preaplin la preaplinul carcusei dulapului (în partea din spate a rezervorului de sare).

Ghidați capetele furtunurilor către conexiunea de canalizare (ambele separat, vă rugăm să nu vă conectați cu un T. Risc de reflux!). Utilizați o gură de scurgere deschisă și / sau o supapă de reținere (risc de apă din spate). Fixați furtunurile în mod adecvat (risc de alunecare din cauza supratensiunilor).

Racordarea la dedurizatorul de apă

Aliniați sistemul în poziția dorită la nivelul solului. Asigurați-vă că podeaua este plană și curată.

Molozul sau pietrele pot deteriora carcasa dulapului.

Conectați conexiunile supapei de control (filet tată 3/4") la conexiunile blocului de montare (filet tată 1") prin intermediul furtunurilor blindate flexibile. Vă rugăm să utilizați garniturile plate de 3/4" în acest scop. Asigurați-vă că acordați atenție intrării și ieșirii (săgeților) conexiunilor la sistem și blocului de montare (risc de confuzie!).

Deschideți supapele roșii de închidere de pe supapa de control (trebuie să fie paralele una cu cealaltă).

Verificați etanșeitatea tuturor conexiunilor.

Nu adăugați încă sare în carcasa dulapului!

Deschideți cele două supape exterioare ale blocului de montare, apoi închideți supapa de bypass din mijloc. Acum apa este alimentată prin dedurizatorul de apă.

Verificați toate conexiunile pentru scurgeri.

9. Punerea în funcțiune

- Umpleți aproximativ 15 litri în carcasa dulapului (până la aproximativ 25 cm înălțime). După prima regenerare, nivelul optim al apei este în rezervorul de sare.

- Verificați etanșeitarea liniei de saramură (în medie 3/8") dintre supapa de control și supapa cu flotor.

- Conectați supapa de control la rețea. Afișajul LCD clipește și arată timpul și capacitatea rămasă.

- Acum efectuați o regenerare manuală. Pentru a face acest lucru, rotiți butonul rotativ mare de pe supapă de control în sensul acelor de ceasornic din poziția „SERV”. La poziția „BA. WA.”. Afișajul arată

BACKWASH

Sistemul efectuează acum regenerarea manuală.

Acum începe spălarea de retur (backwash).

Linia de jos a afișajului arată timpul rămas.

După ce a trecut timpul rămas, butonul se întoarce în poziția „BRINE” (sărare).

Afișajul arată

BRINE

Instalația efectuează acum sărarea rășinii de înmuiere.

După sărare, sistemul efectuează etapele „RINSE” (clătire) și „REFILL” (umplerea rezervorului de saramură).

Asigurați-vă că sistemul nu trage aer prin furtunul de saramură, verificați conexiunile furtunului de saramură, dacă este necesar.

Așteptați sfârșitul regenerării manuale (aprox. 45 min.).

- Acum sistemul a clătit rășina de dedurizare și a pompat cantitatea corespunzătoare de apă în rezervorul de saramură.

- Acum turnați tabletele de sare în recipientul cu saramură până când este complet umplut. Este nevoie de aproximativ 4-

6 ore până când sarea se dizolvă în apă până la concentrația maximă și formează o saramură.

În acest caz, nivelul comprimatelor de sare scade. Nu adăugați apă suplimentară!

- Acum pot fi făcute setările la supapa de control. (Instalația va fi presetată complet de noi.
) Tot ce trebuie să faceți este să setați timpul și capacitatea

10. Reglarea setărilor de pe supapa de control

Supapa de control este controlată de electronice ușor de utilizat prin intermediul unui afișaj LCD. În condiții normale de funcționare, veți vedea ora curentă și capacitatea rămasă până la următoarea regenerare.

Capacitatea este afișată în T (tone). O tonă corespunde la 1000 de litri sau 1 m³ de apă

Am setat deja supapa de control pe modul "Mod Volum cu Regenerare Forțată" (meter override). Durețea apei care trebuie să fie îndepărtată trebuie să fie adaptată la durețea pe care o aveți. Modul de funcționare nu trebuie să fie schimbat pentru a preveni contaminarea.

Toate valorile următoare sunt deja presetate pentru dvs.!

Parametru		Opțiuni	Descriere
1	LIMBĂ	ENGLEZĂ și alt.	Selectați limba meniului (engleză, spaniolă, turcă, poloneză, franceză, rusă)
2	REGIUNE	METRIC	Selectarea unității
		SUA	Galoane (SUA) sau tone (1 tonă = 1000 L)
3	MOD REGENERARE	CALENDAR CEAS	În acest mod, sistemul se regenerează după un număr fix de zile la o oră fixă. Cantitatea de apă consumată în această perioadă <u>nu</u> este luată în considerare. Abreviere pe afișaj: CC (Ceas cu calendar)
		CONTOR IMEDIAT	În acest mod, sistemul se regenerează după atingerea unei cantități fixe programate de volum de apă. După atingerea volumului stabilit, regenerarea are loc <u>imediat</u> . Abreviere pe afișaj: MI (metru imediat)
		CONTOR ÎNTÂRZIERE	În acest mod, sistemul se regenerează după atingerea unei cantități fixe programate de volum de apă. După atingerea volumului specificat, regenerarea are loc la un anumit moment

			(întârziat). Abreviere pe afișaj: MD (întârziere contor)
		<u>SUPRASCRIERE</u> <u>CONTOR</u>	În acest mod, sistemul se regenerează după atingerea unei cantități fixe programate de volum de apă. După atingerea volumului specificat, regenerarea are loc la un anumit moment (întârziat). În plus, după un anumit număr de zile, indiferent de volumul consumat, se declanșează regenerarea forțată. Acest lucru previne contaminarea sistemului dacă nu se consumă apă (de exemplu, în timpul sărbătorilor). Abreviere pe afișaj: MO (suprascriere contor)
4	ORĂ		Aici puteți seta ora.
5	ORĂ REG. (ZILE REGENERARE)	2:00	Introduceți ora la care sistemul ar trebui să se regenereze. Vă recomandăm ora 2:00 a.m., deoarece apa este rar folosită în acest moment.
6	ZILE REG. (ZILE REGENERARE)	7	Introduceți numărul de zile după care sistemul ar trebui să se regenereze (numai în modul „Calendar Clock” și „Meter Override”).
7	CAP. REG.	R2D2-32 = 1,45 to. R2D2-48 = 2,10 to. R2D2-72 = 3,20 to.	Aici este specificată capacitatea de dedurizare. Capacitatea este calculată din duritatea apei existente și cantitatea de rășină de dedurizare, precum și intersecția dorită pe supapa de control.
8	BACKWASH (spălare inversă)	R2D2-32 = 1 min R2D2-48 = 1 min R2D2-72 = 2 min	Durata spălării inverse a rășinii de dedurizare în câteva minute. Spălarea inversă curăță rășina. <u>Nu modificați această valoare.</u>
9	BRINE (sărare)	R2D2-32 = 28 min R2D2-48 = 35 min R2D2-72 = 40 min	Durata de sărare a dedurizatorului în câteva minute. Prin sărarea cu saramură, rășina este regenerată și își recapătă

			capacitatea inițială de dedurizare. Nu modificați această valoare.
10	RINSE (clătire)	R2D2-32 = 2 min R2D2-48 = 2 min R2D2-72 = 3 min	Durata de clătire a rășinii de dedurizare în câteva minute. Clătirea elimină ultimele resturi de saramură și, dacă este necesar, murdăria din patul de rășină. Nu modificați această valoare.
11	REFILL (Umpleți rezervorul de saramură)	R2D2-32 = 3,2 min R2D2-48 = 4,8 min R2D2-72 = 7,2 min	Durata umplerii rezervorului de saramură în câteva minute. Prin umplerea acestuia, rezervorul de saramură este reumplut cu apă, astfel încât să se poată forma o nouă soluție salină până la următorul proces de regenerare. Nu modificați această valoare.
12	LOAD DEFAULT (ÎNCĂRCARE IMPLICITĂ) (revenire la setările din fabrică)		Resetați toate setările la zero. Sistemul este deja programat la valorile germane. În cazul unei resetări, acestea vor fi suprascrise. Nu activați această caracteristică.

Modul „Mod de volum cu regenerare forțată” recomandat utilizatorilor europeni (Meter Override) a fost deja presetat și nu trebuie să fie modificat.

Pentru o funcționare corectă în acest mod, trebuie să fie făcute doar câteva setări.

Setarea orei

Ca urmare, regenerarea se efectuează la ora dorită (implicit: 2:00 a.m.).

Stabilirea zilelor până la efectuarea regenerării forțate

Am presetat regenerarea forțată la 7 zile din motive de igienă. (Poate fi, de asemenea, mărit la 10 zile pentru o funcționare mai eficientă).

Reglarea capacității de dedurizare

În funcție de dimensiunea sistemului (cantitatea de rășină de dedurizare) și de duritatea apei, capacitatea trebuie să fie calculată și introdusă. **Vezi capitolul 12**

Verificarea tuturor parametrilor

Verificați dacă toți parametrii corespund dimensiunii instalației.

11. Programarea supapei de control în modul „modul volum cu regenerare forțată” (suprareglarea contorului)

Apăsați butonul „□” timp de 3 secunde pentru a elibera ecranul de deblocare.
Apăsați butonul „□” pentru a intra în meniu.

Apare „LANGUAGE”.

Apăsați butonul „■”. Indicatorul va începe să clipească.

Utilizați butoanele „▲” și „▼” pentru a selecta modul „ENGLISH”.

Salvați această intrare cu tasta „■”.

Apăsarea butonului „▼” vă va duce la următorul element.

Vă va apărea „REGION METRIC” sau „REGION US”.

Apăsați butonul „■”. Indicatorul va începe să clipească.

Utilizați butoanele „▲” și „▼” pentru a selecta modul „REGION METRIC”.

Salvați această intrare cu tasta „■”.

Apăsarea butonului „▼” vă va duce la următorul element.

Veți vedea unul dintre următoarele moduri: „METER DELAY”, „METER OVERRIDE”, „METER IMMEDIAT”, „CALENDAR CLOCK”.

Apăsați butonul „■”. Indicatorul va începe să clipească.

Utilizați butoanele „▲” și „▼” pentru a selecta modul „METER OVERRIDE”.

Salvați intrarea cu tasta „■”.

Apăsarea butonului „▼” vă va duce la următorul element.

Vi se va afișa: „TIME” (ora curentă).

Apăsați butonul „■”. Indicatorul va începe să clipească.

Utilizați butoanele „▲” și „▼” pentru a selecta ora.

Salvați intrarea cu tasta „■”.

Acum setarea clipește pentru minut.

Utilizați butoanele „▲” și „▼” pentru a selecta minutul.

Salvați această intrare cu tasta „■”.

Apăsarea butonului „▼” vă va duce la următorul element.

Vi se va afișa: „ORĂ REG.”

Apăsați butonul „■”. Indicatorul va începe să clipească.

Utilizați butoanele „▲” și „▼” pentru a selecta ora.

(Vă recomandăm „2”)

Salvați această intrare cu tasta „■”.

Acum setarea clipește pentru minute.

Utilizați butoanele „▲” și „▼” pentru a selecta minutele.

(Vă recomandăm „0”)

Salvați această intrare cu tasta „■”.

Apăsarea butonului „▼” vă va duce la următorul element.

Vi se va afișa: „ZILE REG.”

Apăsați butonul „■”. Indicatorul va începe să clipească.

Utilizați butoanele „▲” și „▼” pentru a selecta zilele.

(Vă recomandăm „07”)

Salvați această intrare cu tasta „■”.

Apăsarea butonului „▼” vă va duce la următorul element.

Vi se va afișa „CAP. REG.”.

Apăsați butonul „■”. Indicatorul va începe să clipească.

Utilizați butoanele „▲” și „▼” pentru a selecta capacitatea în tone (= 1000 litri).

Introduceți aici valoarea volumului din tabelul paginii 126.

Salvați această intrare cu tasta „■”.

Acum setarea pentru capacitatea în litri clipește.

Utilizați butoanele „▲” și „▼” pentru a selecta capacitatea în litri.

Introduceți aici valoarea zecimală din tabelul paginii 126.

Salvați această intrare cu tasta „■”.

Apăsarea butonului „▼” vă va duce la următorul element.

Vi se va afișa: „BACKWASH”.

Apăsați butonul „■”. Indicatorul va începe să clipească.

Utilizați butoanele „▲” și „▼” pentru a selecta ora potrivită în minute pentru sistemul dvs.:

R2D2-32: 01 min.

R2D2-48: 01 min.

R2D2-72: 01 min.

Salvați această intrare cu tasta „■”.

Apăsarea butonului „▼” vă va duce la următorul element.

Vi se va afișa: „BRINE”.

Apăsați butonul „■”. Indicatorul va începe să clipească.

Utilizați butoanele „▲” și „▼” pentru a selecta ora potrivită în minute pentru sistemul dvs.:

R2D2-32: 28 min.

R2D2-48: 35 min.

R2D2-72: 40 min.

Salvați această intrare cu tasta „■”.

Vi se va afișa: „RINSE”.

Apăsați butonul „■”. Indicatorul va începe să clipească.

Utilizați butoanele „▲” și „▼” pentru a selecta ora potrivită în minute pentru sistemul dvs.:

R2D2-32: 02 min.

R2D2-48: 02 min.

R2D2-72: 03 min.

Salvați această intrare cu tasta „■”.

Apăsarea butonului „▼” vă va duce la următorul element.

Vi se va afișa: „REFILL”.

Apăsați butonul „■”. Indicatorul va începe să clipească.

Utilizați butoanele „▲” și „▼” pentru a selecta ora potrivită în minute pentru sistemul dvs.:

R2D2-32: 03.2 min.

R2D2-48: 04.8 min.

R2D2-72: 07.2 min.

Salvați această intrare cu tasta „■”.

Apăsați butonul „□” pentru a ieși din programare.

Dedurizatorul dvs. de apă este acum complet programat și gata de funcționare.

12. Calculul capacității de dedurizare

În funcție de cantitatea de rășină de dedurizare utilizată, un dedurizator de apă poate deduriza diferite cantități de apă.

Duritatea apei brute afectează în mod semnificativ capacitatea unei plante.

Ambele valori trebuie să fie cunoscute și stocate în supapa de control pentru a asigura funcționarea cea mai economică și corectă a sistemului.

Pentru determinarea ușoară a durității apei brute, utilizați un instrument de măsurare a durității totale. Alternativ, puteți găsi duritatea apei în informațiile furnizate de compania dvs. de alimentare cu apă (de exemplu, pe site-ul său web).

În plus, puteți calcula singuri valorile din tabelul de mai jos, dacă este necesar:

Exemplu:

32: 20°dH = 1200 ltr apă moale

48: 20°dH = 1800 ltr apă moale

72: 10°dH = 5400 ltr apă moale

		R2D2-32	R2D2-48	R2D2-72
°dH	°fH			
5	9	4,80 T	7,20 T	10,80 T
6	11	4,00 T	6,00 T	9,00 T
7	12	3,40 T	5,10 T	7,70 T
7,5	13	3,20 T	4,80 T	7,20 T
8	14	3,00 T	4,50 T	6,70 T
9	16	2,60 T	4,00 T	6,00 T
10	18	2,40 T	3,60 T	5,40 T
11	20	2,10 T	3,20 T	4,90 T
12	21	2,00 T	3,00 T	4,50 T
13	23	1,80 T	2,70 T	4,10 T
14	25	1,70 T	2,50 T	3,80 T
15	27	1,60 T	2,40 T	3,60 T
16	29	1,50 T	2,20 T	3,30 T
17	30	1,40 T	2,10 T	3,10 T
18	32	1,30 T	2,00 T	3,00 T
19	34	1,20 T	1,90 T	2,80 T
20	36	1,20 T	1,80 T	2,70 T
21	37	1,10 T	1,70 T	2,50 T
22	39	1,00 T	1,60 T	2,40 T
23	41	1,00 T	1,50 T	2,30 T
24	43	1,00 T	1,50 T	2,20 T
25	45	0,90 T	1,40 T	2,10 T
26	46	0,90 T	1,30 T	2,00 T
27	48	0,80 T	1,30 T	2,00 T
28	50	0,80 T	1,20 T	1,90 T
29	52	0,80 T	1,20 T	1,80 T
30	54	0,80 T	1,20 T	1,80 T

13. Setarea amestecului

Aparatul dedurizează apa brută până la 0 °dH.

Recomandăm să urmați sfaturile producătorilor de dispozitive, cum ar fi boilerele. Dacă este menționată o duritate specifică a apei, poate fi necesar să amestecați apa dedurizată cu apă brută până la duritatea recomandată.

Opțiunea 1 – supapă de amestecare integrată pe capul de control

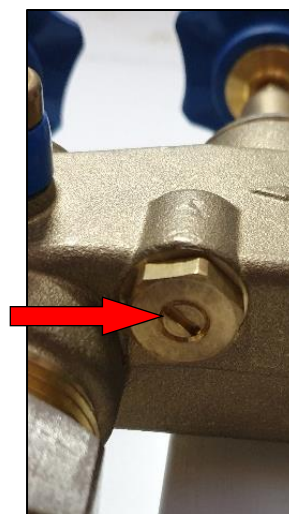


Prin rotirea șurubului de reglare, schimbați amestecul cu apă brută.

Rotire în sensul acelor de ceasornic: Duritatea apei este crescută.

Rotire în sens invers acelor de ceasornic: Duritatea apei scade.

Opțiunea 2 – Șurub cu fante pe blocul de montare



Șurub cu fante pentru reglarea durității reziduale

Prin rotirea șurubului cu fante, schimbați și amestecul cu apă brută.

Rotire în sens invers acelor de ceasornic: Duritatea apei este crescută.

Rotire în sensul acelor de ceasornic: Duritatea apei scade.

Vă recomandăm amestecul prin blocul de montare.

Rezultatul este mai precis. În plus, blocul de montare este fabricat din alamă și, prin urmare, mai robust.

Verificați duritatea apei la un robinet (robinetul de eșantionare de pe blocul de montare) din apropierea sistemului cu un set de măsurare a durității apei (soluție de titrare).

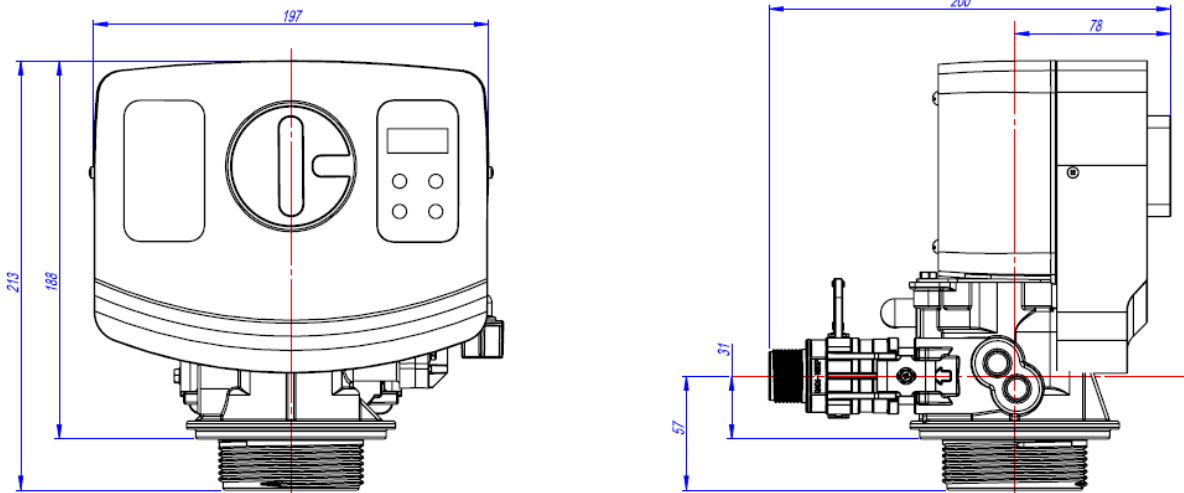
Lăsați apa să curgă continuu la robinet. Măsurați duritatea apei numai cu apă rece (apa caldă este trecută prin încălzitor și se înmoaie treptat).

În funcție de distanța până la robinet, poate dura mult timp înainte ca duritatea apei nou amestecată să poată fi măsurată. (Prin urmare, vă rugăm să măsurați direct la robinetul de eșantionare de pe blocul de montare)

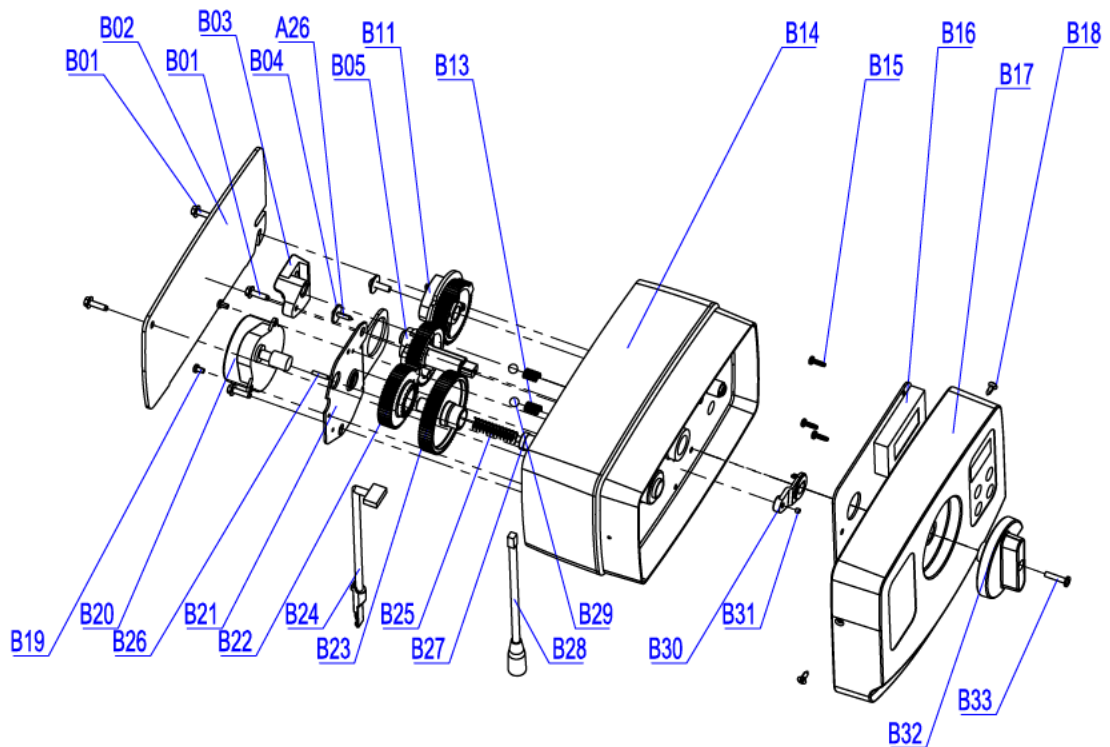
Cel mai bine este să rulați cel mai apropiat robinet la jumătate de catarg și să reglați duritatea apei.

14. Desene

Dimensiunile supapei de control



Desen desfășurat al capului de control BNT1650

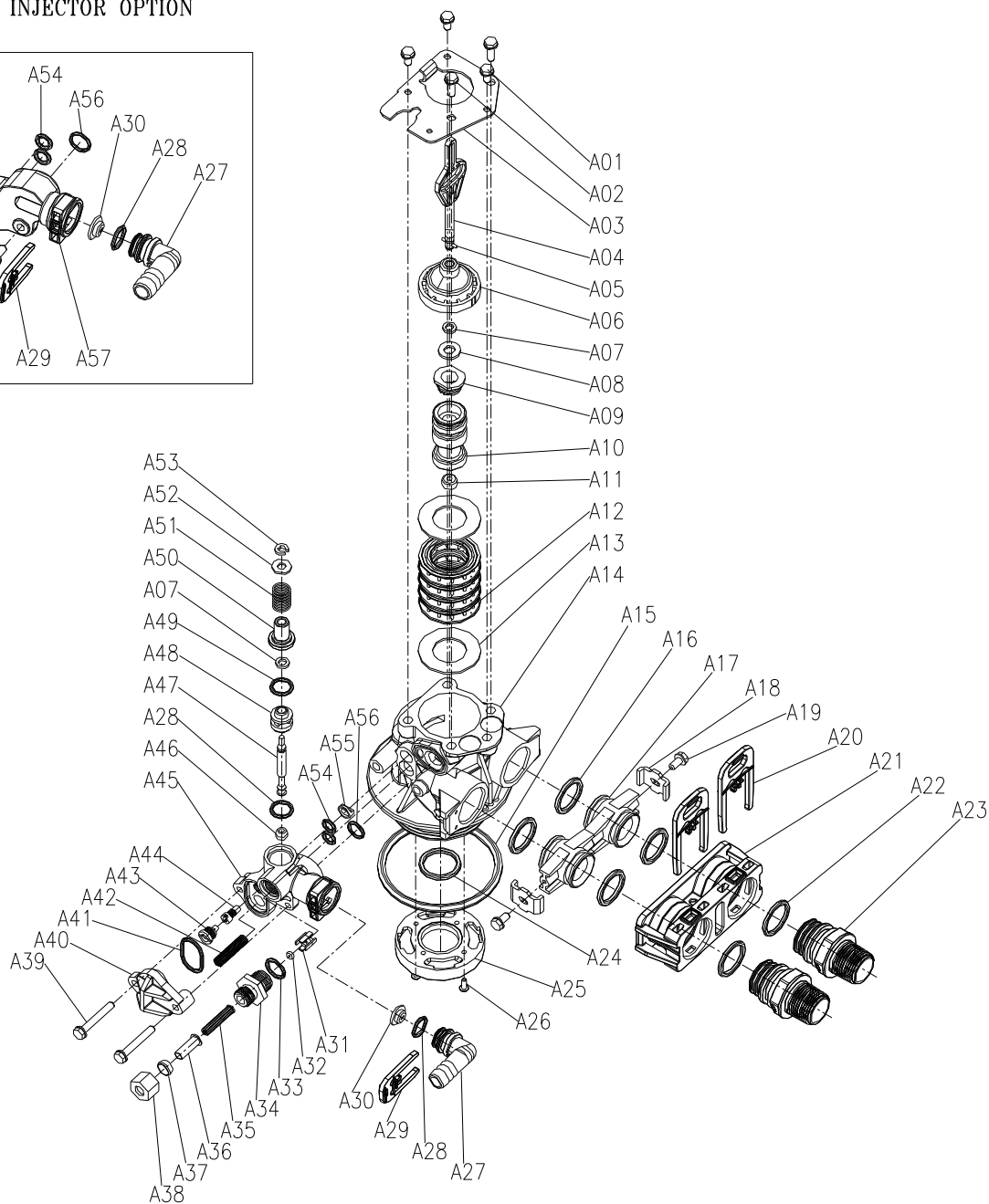
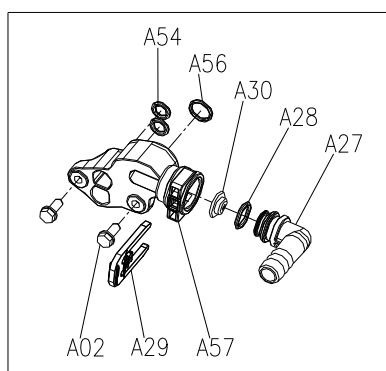


Lista pieselor de schimb BNT-1650

	Parte nr.	Descrierea piesei	Cantitate
B01	05056136	Șurub-ST3.5x13 (hexagon cu șaibă)	4
B02	05056014	Coperta din spate Bnt65	1
B03	05010045	Suport tijă piston	1
A26	13000426	Șurub-ST2.9x13 (apă mare)	1
B04	05056139	Șaibă-3x13	1
B05	05056005	Angrenaj principal	1
B06	05056083	Șurub-M4x14	1
B07	05056166	Șurub-ST4.2x12 (apă mare)	1
B08	05056141	Șaibă-4x12	1
B09	13111004	Șaibă-4x9	1
B10	05056016	Regulator de reumplere	1
B11	05056015	Echipament de saramură	1
B12	05056089	Canelură-M4	1
B13	05056095	Detentor cu arc	2
B14	05056001	Carcasă Bnt65	1
B15	05010037	Șurub-ST2.9x10	5
B16	05056504	Bnt165 Pcb	1
B17	05056500	Bnt165 Capac frontal	1
	05056505	Etichetă de funcționare Bnt165	1
	05056506	Bnt165 etichetă regen.	1
	3010019582	Etichetă cu cod QR	1
B18	05056509	Șurub-ST2.9x10 (CSK)	2
B19	05056082	Șurub-M3x5	2
B20	05056510	Motor 12V/2RPM	1
	11700005	Conector de sârmă	2
B21	05056045	Placă de montare a motorului	1
B22	05056501	Angrenaj de antrenare Bnt165	1
A04	05010081	Tijă piston Bnt65	1
B23	05056002	Angrenaj la ralanti	1
B24	05010031	Asamblarea contorului	1
	05010046	Contor de descărcare a tensiunii	1
B25	05056094	Piuliță cu arc	1
B26	05056098	Pin motor	1
B27	05056502	Reținere arc	1
B28	05056507	Bnt165 cablu de alimentare	1
	05056013	Eliberarea tensiunii de putere Bnt65	1
B29	05056092	Bilă-1/4inch	2
B30	05056503	Suport magnet	1
B31	05010023	Magnet 3x2.7	1
B32	05056008	Buton Bnt65	1
	05056111	Etichetă buton Bnt65	1
B33	05056084	Șurub-ST3.5x13	1

Desen desfășurat al gâtului supapei BNT-1650

FILTER INJECTOR OPTION

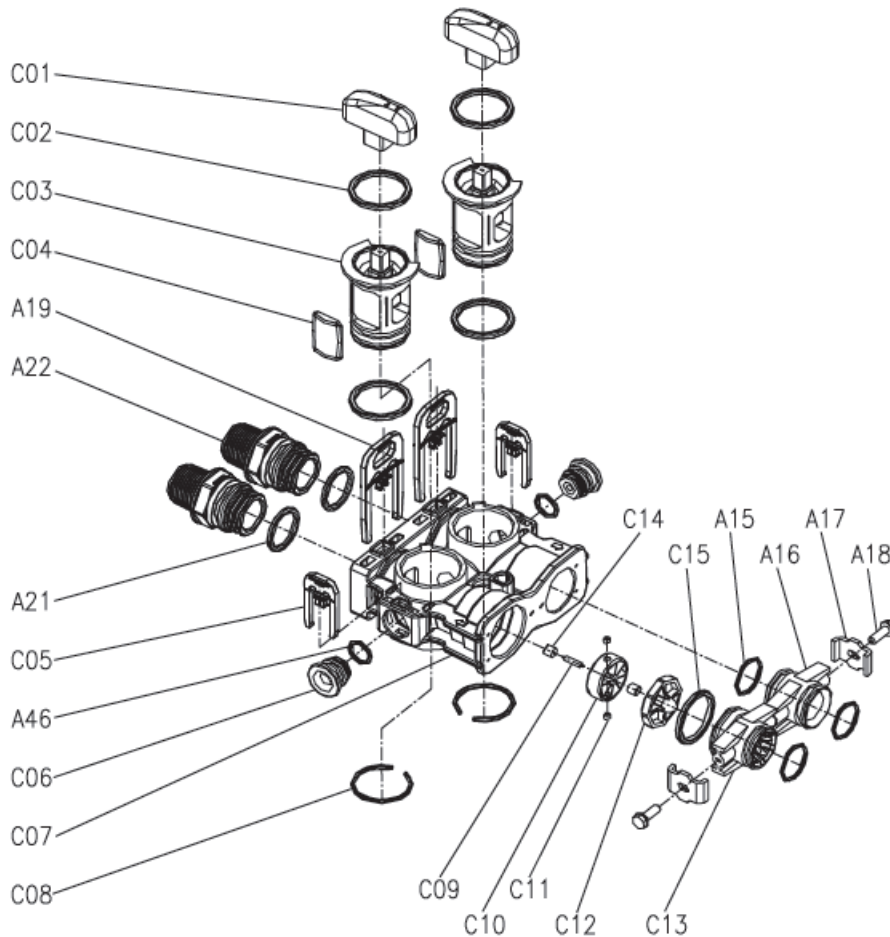


Lista pieselor de schimb gât supapă BNT-1650

Nr. crt.	Parte nr.	Descrierea piesei	Cantitate
A01	05056087	Șurub-M5x12 (hexagon)	3
A02	05056088	Șurub-M5x16 (hexagon cu șaibă)	2
A03	05056047	Dispozitiv de fixare a prizei de capăt	1
A04	05010081	Tijă piston Bnt65	1
A05	05056097	Pin piston	1
A06	05056023	Mufă de capăt	1
A07	05056070	Inel cvadruplu	2
A08	05056024	Șaibă cu dop de capăt	1
A09	05056022	Dispozitiv de fixare a pistonului	1
A10	05056181	Piston (electric)	1
A11	05056104	Amortizor	1
A12	05056021	Distanțier	4
A13	05056073	Sigiliu	5
A14	05056019	Corpul supapei Bnt65	1
A15	05056063	Inel O q78.74x5.33	1
A16	05056129	Inel O q23x3	4
A17	05056025	Cuplaj adaptor	2
A18	05056044	Clemă adaptor	2
A19	05056090	Șurub ST4.2x13 (hexagon cu șaibă)	2
A20	21709003	Clip secune	2
A21	05056140	Conector supapă	1
A22	05056065	Inel O q23.6x2.65	2
A23	21319006	Adaptor cu șurub	2
A24	26010103	Inel O q25x3.55	1
A25	07060007	Conector inferior supapă	1
A26	13000426	Șurub ST2.9x13 (plăcuță mare)	2
A27	05010082	Racord de scurgere-B	1
A28	05056134	Inel O 12x2	2
A29	05056172	Clip secune S	1
A30	05056186	DLFC-2#	1
A31	05056035	Dispozitiv de fixare a butonului BL F C	1
A32	05056191	BL F C-2#	1
A33	05056138	Inel O 14x1.8	1
A34	05056100B	Montare BL F C	1
A35	05056106	Ecran linie saramură	1
A36	05056107	Insertie tub BL F C	1
A37	05056033	Femule BL F C	1
A38	05056108	Canelură de montaj BL F C	1
A39	05056066	Șurub-M6x30 (hexagon cu șaibă)	2
A40	05056029	Capac injector	1
A41	05056072	Inel O q24x2	1
A42	05056103	Ecran injector	1
A43	05056027	Duză injector	1
A44	05056028	Gât injector	1
A45	05056177	Injector Body-B	1
A46	05056075	Scaun injector	1
A47	05056054	Distanțier injector	1

A49	05056081	Inel O 12.5x1.8	1
A50	05056030	Capac injector	1
A51	05056093	Ecran injector	1
A52	05010049	Șaibă specială	1
A53	05056105	Inel de reținere	1
A54	05056067	Inel O 7.8x1.9	2
A55	05056037	Dispensor de aer	1
A56	05056066	Inel O 11x2	1
A57	05056165	Corpul injectorului (filtru)	1

Desen desfășurat al supapei bypass



Lista pieselor de schimb supapă bypass BNT-1650

Nr. crt.	Parte nr.	Descrierea piesei	Cantitate
C01	05056147	Buton de bypass	2
C02	26010028	Inel O 28x2.65	4
C03	05056148	Mufă bypass	2
C04	05056149	Sigiliu bypass	2
A20	21709003	Clemă securizată	2
A23	21319006	Adaptor șurub	2
A22	05056065	Inel O 23.6x2.65	2
C05	05056172	Clemă securizată S	2
A48	05056134	Inel O 12x2	1
C06	05056146	Perete etanș	2
C07	05056145	Corpul de bypass	1
C08	05056150	Colier 32x2.5	2
C09	05010079	Pin rotor	1
C10	05010014	Rotor	1
C11	05010078	Magnet 4x3	2
C12	05010077	Suport rotor	1
C13	05010083	Adaptor distribuitor	1
C14	05010019	Suport pentru pini	2
C15	26010046	Inel O 27x3	1
A16	05056129	Inel O 23x3	3
A17	05056025	Cuplaj adaptor	1
A18	05056044	Clemă adaptor	2
A19	05056090	Șurub-ST4.2x13 (hexagonal cu șaibă)	2

Date tehnice

Presiunea de lucru:	2,0 bar - 6,0 bar
Temperatura ambiantă:	de la +5 °C până la +40 °C
Conexiune sistem:	Intrare: 230 V / 50 Hz -- Ieșire: 25 V / 50 Hz
Filet la vas sub presiune:	NPSM de 2.5"
Dimensiunea conexiunii de intrare/ieșire:	3/4"

Bruksanvisning

Programmeringsguide

Kvantitetsstyrd tidsfördröjd regenerering
200 g saltning >likström<
R2D2- 32/ 48 / 72



Vattenavhårdare R2D2
Kapacitet 32, 48 och 72
med styrventil BNT 1650

Innehållsförteckning

Viktig information	136
Säkerhetsanvisningar	136
Användningsområden	137
Regenereringssalt	138
Faroangivelser	138
Underhåll/service	138
Förvaring och transport	138
Installation	139
Idrifttagning	140
Justering av inställningarna på styrventilen	141
Programmering av styrventilen	144
Beräkning av avhärtningskapaciteten	147
Inställning av blandningen	148
Styrventilens mått	150
Sprängskiss över styrhuvudet med artikelnummer	151
Sprängskiss över ventilhals med artikelnummer	153
Sprängskiss över bypass-ventil med artikelnummer	155

1. Viktig information

Läs denna bruksanvisning fullständigt innan du installerar och använder avhärtningsanläggningen. Det är viktigt att observera och följa säkerhetsanvisningarna.

Vi har till stor del förprogrammerat avhärtdaren.

Kontrollera din vattenhårdhet och justera det förinställda värdet vid behov. Ett felaktigt inställt värde kan leda till fel! Systemet har standard 3 års fabriksgaranti. Denna garanti gäller endast om systemet används enligt alla föreskrifter.

2. Säkerhetsanvisningar

Avhärtningsanläggningen måste installeras på en frostfri plats skyddad från fukt. Det får inte installeras utomhus.

Montering och installation får endast utföras av utbildade specialister. Arbete på vatteninstallationen får endast utföras av auktoriserade installationsföretag. Lokala bestämmelser måste följas strikt. Se till att följa instruktionerna i installationsanvisningen!

Denna avhärtningsanläggning är endast avsedd för drift inom dricksvattensektorn.

Dricksvattenförordningens (TVO) gränsvärden får inte överskridas, särskilt för järn (Fe 0,2 mg/l) och mangan (Mn 0,05 mg/l).

Användning som inte motsvarar det avsedda ändamålet är inte tillåten. Ett vattenfilter måste installeras framför avhärtningsanläggningen för att skydda det mot smuts och nedslamning.

Användning av ett skyddsfilter bakom anläggningen rekommenderas också, eftersom mekaniska skador eller materialdefekter kan leda till att jonbytarharts spolats ut.

Det tillåtna vattentrycket ligger på 2,0–6,0 bar. Om det befintliga vattentrycket ligger över gränsvärdet måste en tryckreducerare användas.

För att förhindra vattenskadorna bör en öppen avlopp finnas nära installationsplatsen. Om detta inte är möjligt, installera en säkerhetstank uppströms avloppet för att förhindra tillbakaflöde av avloppsvatten.

Installationsplatsen måste vara plan, torr och fri från värmekällor, med en temperatur mellan +5 °C och +40 °C. Se till att enheten är stabil och inte kan tippa över.

I system med koppar och zink kan mycket mjukt vatten orsaka korrosion. För vattnets hårdhet över 15 °dH rekommenderas att behålla en resthårdhet på 3–5 °dH. Aqmos vattensystem mjukar upp vattnet till 0 °dH som standard, men detta kan enkelt justeras med blandningsskruven.

Kontrollera om ett backventil krävs på vattentillförseln enligt nationella regler. Vid tveksamhet, kontakta din vattentjänstleverantör.

3. Användningsområden

Användningsområde: dricksvatten

Syftet med användningen: minskning av vattnets hårdhet (kalcium/magnesium)

Anslutning av anläggningen: Ingång: 230 V/50 Hz utgång: 24 V/50 Hz

Omgivningstemperatur: min. +5 °C/max +40 °C

Vattentemperatur: min. +5 °C/max +30 °C

Arbetstryck: min. 2 bar/max 6 bar

Luftfuktighet: max 60 %

Salt: enligt DIN 19604, DIN EN 973 Typ A

Sköljtätt: nej

Störande joner: klor, järn, mangan

4. Regenererings salt

Anläggningen får endast användas med salttabletter tillverkade av högrent förångat salt (NaCl) enligt DIN 10604 DIN EN 973 Typ A. (Renhetsgrad)

Användning av andra salter (vägsalt, brutet salt) kan leda till förorening av anläggningen och leda till betydande skador. Använd endast regenererings salt.

5. Faraangivelser

Fara på grund av elektrisk energi - risk för elektriska stötar!

Dra alltid ur stickkontakten innan du arbetar med avhärtningsanläggningen!

Om kabelisoleringen eller de elektriska komponenterna är skadade måste de bytas ut omedelbart.

Fara på grund av vattentryck!

Släpp alltid ut trycket och stäng av vattnet vid monteringsblocket innan du arbetar med avhärtningsanläggningen. För att göra detta, stäng först de yttre ventilerna och öppna sedan den mittersta bypassventilen. Om inget monteringsblock finns, stäng huvudkranen och släpp ut trycket via en tappunkt som är placerad så lågt som möjligt i vattenfördelningsnätet.

Fara på grund av kontaminering!

Anpassa anläggningen till den faktiska vattenförbrukningen för att säkerställa ett tillräckligt flöde.

Om anläggningen inte används under en längre tid måste den tas ur drift korrekt av ett specialistföretag. Avaktivera aldrig den tvångsregenereringen.

6. Underhåll/service

Anläggningen bör inspekteras regelbundet av operatören för att säkerställa att den fungerar korrekt. Baserat på DIN 1988 del 8 rekommenderas årligt underhåll av ett specialistföretag för att säkerställa att systemet fungerar korrekt.

Defekter eller funktionsfel måste omedelbart åtgärdas.

Operatören måste se till att det alltid finns tillräckligt med salt i anläggningen för att säkerställa att anläggningen fungerar korrekt.

7. Förvaring och transport

Avhärtningsanläggningen får endast transporteras i originalförpackningen. Förvaringen får endast ske frostfritt, inte intill starka värmekällor och stående. Var uppmärksam på positioneringsriktningen som anges på ytterförpackningen.

8. Installation

Installationen av anläggningen måste följa tillämpliga standarder och föreskrifter.

Anslutning av monteringsblocket

Stäng huvudavstängningsventilen innan arbetet påbörjas.

Öppna sedan en kran som ligger bakom den och släpp ut det kvarvarande vattentrycket.

Monteringsblocket ska installeras i installationsledningen efter vattenmätaren, vattenfiltret och den eventuella tryckreduceraren.

Observera flödesriktningen på monteringsblocket (se pilen på monteringsblocket).

Sätt i en testkran (fram) och en plugg (bak) enligt flödesriktningen.

Stäng de två yttre ventilerna på monteringsblocket. Öppna sedan den mittersta bypass-ventilen.

Huvudavstängningsventilen kan sedan öppnas igen. Vattnet rinner nu genom monteringsblockets bypass. Kontrollera tätheten (leta efter läckor).

Avloppsanslutning

Det ska finnas en avloppsanslutning nära installationsplatsen. Avloppsslangen kan dras från avhärtningsanläggningens avloppsanslutning upp till max 120 cm högre på höjden. Längden bör vara max 6 meter och ha en minimal lutning.

Anslut avloppsvattenslangen (diameter 12 mm) till avloppsuttaget (på baksidan av styrhuvudet) på styrventilen. Säkra anslutningen med en slangklämma.

Anslut bräddavloppsslangen till kabinetthusets bräddavlopp (på baksidan av saltbehållaren).

Led ändarna på slangarna till kanalanslutningen (båda separat, anslut inte med ett T-stycke. Risk för bakvatten!). Använd ett öppet utlopp och/eller ett återflödesstopp (risk för bakvatten). Fäst slangarna tillräckligt (risk för att de glider av på grund av tryckstötter).

Anslutning av avhärtningsanläggningen

Rikta in anläggningen i önskad position på marknivå. Se till att golvet är plant och rent. Skräp eller stenar kan skada kabinetthuset.

Anslut styrventilens anslutningar (3/4" utvändig gänga) till anslutningarna på monteringsblocket (1" utvändig gänga) med hjälp av flexibla armerade slangar. Använd 3/4" platta tätningar för detta.

Observera vad som är anslutningarnas ingång och utgång (se pilarna) på anläggningen och monteringsblocket (risk för förväxling!).

Öppna de röda avstängningsventilerna på styrventilen (de måste stå parallellt mot varandra).

Kontrollera att alla anslutningar sitter fast ordentligt.

Fyll inte på salt i kabinetthuset ännu!

Öppna de två yttre ventilerna på monteringsblocket, först därefter stänger du bypass-ventilen i mitten. Vattnet leds nu genom avhärtningsanläggningen.

Kontrollera att alla anslutningar är täta (leta efter läckage).

9. Idrifttagning

- Fyll på ca 15 liter i kabinetthuset (upp till ca 25 cm höjd). Efter den första regenereringen har saltbehållaren den optimala vattennivån.
- Kontrollera att saltlösningssledningen (diameter 3/8") mellan styrventilen och flottörventilen sitter fast ordentligt.
- Anslut styrventilen till strömförsörjningen. LCD-displayen blinkar och visar tiden och återstående kapacitet.
- Genomför nu en manuell regenerering. För att göra detta, vrid på det stora vredet på styrventilen medurs från positionen "SERV." till positionen "BA. WA." Displayen visar

BACKWASH

Anläggningen genomför nu en manuell regenerering.

Nu börjar returspolningen (Backwash).
Återstående tid visas på displayens nedre rad.

När den återstående tiden har gått ut vrids vredet till positionen "BRINE" (saltning).
Displayen visar

BRINE

Anläggningen utför nu saltningen av det mjukgörande hartset.

Efter saltningen utför anläggningen stegen "RINSE" (sköljning) och "REFILL" (påfyllning av saltlösningsslangens behållare).

Se till att anläggningen inte drar in luft genom saltlösningsslangen, kontrollera vid behov saltlösningsslangens anslutningar.

Vänta tills den manuella regenereringen är slut (ca 45 min.).

- Nu har systemet spolat det mjukgörande hartset och rätt mängd vatten har pumpats till saltlösningsslangens behållare.
- Fyll nu på med salttabletter i saltlösningstanken tills den är helt full. Det tar ungefär mellan 4 och 6 timmar tills saltet har lösts upp i vattnet till maximal koncentration och en saltlösning har bildats. Salttabletternas påfyllningsnivå sjunker samtidigt. Tillsätt inte extra vatten!
- Nu kan inställningarna på styrventilen göras. (Vi gör en komplett förinställning av anläggningen.) Allt du behöver göra är att ställa in tiden och kapaciteten

10 Justering av inställningarna på styrventilen

Styrventilen styrs av en lättanvänd elektronik via en LCD-display.

Vid normal drift visas aktuell tid och återstående kapacitet fram till nästa regenerering.

Kapaciteten visas i T (ton). Ett ton motsvarar 1000 liter eller 1 m³ vatten.

Vi har redan ställt in reglerventilen på läget "Volymläge med tvingad regenerering" (meter override). Vattenhårdheten som ska tas bort måste anpassas till vattenhårdheten som finns på platsen. Driftläget bör inte ändras för att förhindra kontaminering.

Alla värden nedan är redan förinställda åt dig!

	Parameter	Alternativ	Beskrivning
1	LANGUAGE	<u>ENGLISH</u> osv	Välj menyspråk (engelska, spanska, turkiska, polska, franska, ryska)
2	REGION	<u>METRIC</u>	Val av enhet
		US	Gallons (USA) eller ton (1 ton = 1000 l)
3	REGENERERINGS-LÄGE	CALENDAR CLOCK	I detta läge regenereras anläggningen efter ett förprogrammerat antal dagar vid en bestämd tidpunkt. Mängden vatten som förbrukats under perioden tas <u>inte</u> med i beräkningen. Förkortning på displayen: CC (Calendar Clock)
		METER IMMEDIATE	I detta läge regenereras anläggningen efter att ha nått en förprogrammerad vattenvolym. När den förinställda volymen har uppnåtts sker regenereringen <u>omedelbart</u> . Förkortning på displayen: MI (Meter Immediate)

		METER DELAY	I detta läge regenereras anläggningen efter att ha nått en förprogrammerad vattenvolym. När den förinställda volymen har uppnåtts sker regenereringen vid en förinställd tidpunkt (<u>fördröjning</u>). Förkortning på displayen: MD (Meter Delay)
		<u>METER</u> <u>OVERRIDE</u>	I detta läge regenereras anläggningen efter att ha nått en förprogrammerad vattenvolym. När den förinställda volymen har uppnåtts sker regenereringen vid en förinställd tidpunkt (<u>fördröjning</u>). Dessutom utlöses en tvångsregenerering efter ett specificerat antal dagar, oavsett den förbrukade volymen. Detta förhindrar kontaminering av anläggningen när inget vatten används (t.ex. under semestern). Förkortning på displayen: MO (Meter Override)
4	TIME		Här ställer du in klockan.
5	REG. TIME (REGENERINGS- TID)	2:00	Ange tidpunkten för när anläggningen ska regenereras. Vi rekommenderar kl. 2 på natten, eftersom vatten sällan förbrukas vid denna tidpunkt.
6	REG. DAYS (REGENERERINGS- DAGAR)	7	Ange antalet dagar efter vilka anläggningen ska regenereras (endast i lägena "Calendar Clock" och "Meter Override").
7	REG. CAP.	R2D2-32 = 1,45 ton R2D2-48 = 2,10 ton R2D2-72 = 3,20 ton	Här anges avhärldningskapaciteten. Kapaciteten beräknas utifrån befintlig vattenhårdhet och mängden mjukgörande harts samt önskad blandning vid reglerventilen.
8		R2D2-32 = 1 min R2D2-48 = 1 min	Tiden för returspolningen av det mjukgörande hartset i minuter.

	BACKWASH (returspolning)	R2D2-72 = 2 min	Returspolningen rengör hartset. Ändra <u>inte</u> detta värde.
9	BRINE (saltning)	R2D2-32 = 28 min R2D2-48 = 35 min R2D2-72 = 40 min	Tiden för saltningen av det mjukgörande hartset i minuter. Saltningen med saltlösningen regenererar hartset som återfår sin ursprungliga avhärdningskapacitet. Ändra <u>inte</u> detta värde.
10	RINSE (sköljning)	R2D2-32 = 2 min R2D2-48 = 2 min R2D2-72 = 3 min	Tiden för sköljningen av det mjukgörande hartset i minuter. Genom sköljningen spolas de sista resterna av saltlösningen och eventuell smuts ut ur hartsbädden. Ändra <u>inte</u> detta värde.
11	REFILL (Påfyllning av saltlösningsbehållaren)	R2D2-32 = 3,2 min R2D2-48 = 4,8 min R2D2-72 = 7,2 min	Tiden för påfyllning av saltlösningsbehållaren i minuter. När man fyller på saltlösningsbehållaren fylls den med vatten igen så att en ny saltlösning kan bildas innan nästa regenereringsprocess. Ändra <u>inte</u> detta värde.
12	LOAD DEFAULT (återställ till fabriksinställningarna)		Återställer alla inställningar till noll. Anläggningen är redan förprogrammerad med tyska värden. Om du återställer kommer dessa värden också att skrivas över. Aktivera <u>inte</u> den här funktionen.

Det fr europeiska användare rekommenderade lget "Volymige med tvångsregenerering"
(Meter Override) har redan frinstllts och br inte ndras.

Endast ett fåtal inställningar behöver göras för korrekt funktion i detta läge.

Ställ in klockan

Genom denna inställning kommer regenereringen att utföras vid önskad tidpunkt (förinställning: kl. 2 på natten).

Ställ in antalet dagar tills en tvångsregenerering utförs

Av hygieniska skäl har vi förinställt tvångsregenereringen på 7 dagar (Kan också ökas till 10 dagar för mer effektiv drift).


Ställ in avhärtningskapaciteten

Beroende på anläggningens storlek (mängden mjukgörande harts) och vattnets hårdhet måste kapaciteten beräknas och matas in. **Se kapitel 12**

Kontrollera alla parametrar


Kontrollera att alla parametrar passar till anläggningens storlek.



11. Programmering av styrventilen i lget "Volymige med tvångsregenerering" (Meter Override)

Tryck på knappen  i 3 sekunder för att låsa upp tangentlåset (lås upp skärmen).

Tryck på knappen  för att öppna menyn.

På displayen visas LANGUAGE (språk).


Tryck på knappen . Displayen börjar blinka.

Välj läget ENGLISH (engelska) med knapparna  och .


Spara inställningen med knappen .

Genom att trycka på knappen  kommer du till nästa punkt.

På displayen visas REGION METRIC eller REGION US.

Tryck på knappen . Displayen börjar blinka.

Välj REGION METRIC med knapparna  och .


Spara inställningen med knappen .

Genom att trycka på knappen  kommer du till nästa punkt.

Ett av följande lägen kommer att visas: METER DELAY, METER OVERRIDE, METER IMMEDIATE, CALENDAR CLOCK.

Tryck på knappen . Displayen börjar blinka.



Välj läget METER OVERRIDE (tvångsregenerering) med knapparna  och .

Spara inställningen med knappen .

Genom att trycka på knappen  kommer du till nästa punkt.


Nu visas: TIME (det aktuella klockslaget).

Tryck på knappen . Displayen börjar blinka.

Ställ in timmen med knapparna  och .

Spara inställningen med knappen .

Nu börjar minutinställningen blinka.

Ställ in minuten med knapparna  och .

Spara inställningen med knappen .

Genom att trycka på knappen  kommer du till nästa punkt.

Nu visas: REG. TIME

Tryck på knappen ■. Displayen börjar blinka.

Ställ in timmen med knapparna ▲ och ▼.

(Vi rekommenderar att du väljer "2")

Spara inställningen med knappen ■.

Nu börjar minutinställningen blinka.

Ställ in minuten med knapparna ▲ och ▼.

(Vi rekommenderar att du väljer "0")

Spara inställningen med knappen ■.

Genom att trycka på knappen ▼ kommer du till nästa punkt.

Nu visas: REG. DAYS

Tryck på knappen ■. Displayen börjar blinka.

Ställ in dagarna med knapparna ▲ och ▼.

(Vi rekommenderar att du väljer "07")

Spara inställningen med knappen ■.

Genom att trycka på knappen ▼ kommer du till nästa punkt.

Nu visas: REG. CAP.

Tryck på knappen ■. Displayen börjar blinka.

Ställ in kapaciteten i ton (= 1000 liter) med knapparna ▲ och ▼.

Ange volymvärdet från tabellen på sida 147 här.

Spara inställningen med knappen ■.

Nu börjar inställningen för kapaciteten i liter blinka.

Ställ in kapaciteten i liter med knapparna ▲ och ▼.

Ange decimalvärdet från tabellen på sida 147 här.

Spara inställningen med knappen ■.

Genom att trycka på knappen ▼ kommer du till nästa punkt.

Nu visas: BACKWASH

Tryck på knappen ■. Displayen börjar blinka.

Ställ in den för din anläggning lämpliga tiden för returspolningen i minuter med knapparna ▲ och ▼.

R2D2-32: 01 min.

R2D2-48: 01 min.

R2D2-72: 01 min.

Spara inställningen med knappen ■.

Genom att trycka på knappen ▼ kommer du till nästa punkt.

Nu visas: BRINE

Tryck på knappen ■. Displayen börjar blinka.

Ställ in den för din anläggning lämpliga tiden för saltningen i minuter med knapparna ▲ och ▼.

R2D2-32: 28 min.

R2D2-48: 35 min.

R2D2-72: 40 min.

Spara inställningen med knappen ■.

Nu visas: RINSE

Tryck på knappen ■. Displayen börjar blinka.

Ställ in den för din anläggning lämpliga tiden för sköljningen i minuter med knapparna ▲ och ▼.

R2D2-32: 02 min.

R2D2-48: 02 min.

R2D2-72: 03 min.

Spara inställningen med knappen ■.

Genom att trycka på knappen ▼ kommer du till nästa punkt.

Nu visas: REFILL

Tryck på knappen ■. Displayen börjar blinka.

Ställ in den för din anläggning lämpliga tiden för påfyllningen i minuter med knapparna ▲ och ▼.

R2D2-32: 03.2 min.

R2D2-48: 04.8 min.

R2D2-72: 07.2 min.

Spara inställningen med knappen ■.

Tryck på knappen □ för att avsluta programmeringen.

Din vattenavhårdare är nu färdigprogrammerad och redo att användas.

12. Beräkning av avhärtningskapaciteten

Beroende på mängden mjukgörande harts som används kan en avhärtningsanläggning avhärta olika mycket vatten.

Råvattnets hårdhet har också en betydande inverkan på en anläggnings kapacitet.

Båda värdena måste vara kända och inmatade i styrventilen för att säkerställa att anläggningen fungerar så effektivt och korrekt som möjligt.

Använd ett kit för mätning av total vattenhårdhet för att enkelt bestämma råvattnets hårdhet.

Alternativt kan du ta reda på vattnets hårdhet från informationen från ditt vattenförsörjningsföretag (t.ex. på deras hemsida).

Du kan även själv beräkna värdena i tabellen nedan om det skulle behövas:

Exempel.:

32: 20°dH = 1200 l mjukt vatten

48: 20°dH = 1800 l mjukt vatten

72: 10°dH = 5400 l mjukt vatten

		R2D2-32	R2D2-48	R2D2-72
°dH	°fH			
5	9	4,80 T	7,20 T	10,80 T
6	11	4,00 T	6,00 T	9,00 T
7	12	3,40 T	5,10 T	7,70 T
7,5	13	3,20 T	4,80 T	7,20 T
8	14	3,00 T	4,50 T	6,70 T
9	16	2,60 T	4,00 T	6,00 T
10	18	2,40 T	3,60 T	5,40 T
11	20	2,10 T	3,20 T	4,90 T
12	21	2,00 T	3,00 T	4,50 T
13	23	1,80 T	2,70 T	4,10 T
14	25	1,70 T	2,50 T	3,80 T
15	27	1,60 T	2,40 T	3,60 T
16	29	1,50 T	2,20 T	3,30 T
17	30	1,40 T	2,10 T	3,10 T
18	32	1,30 T	2,00 T	3,00 T
19	34	1,20 T	1,90 T	2,80 T
20	36	1,20 T	1,80 T	2,70 T
21	37	1,10 T	1,70 T	2,50 T
22	39	1,00 T	1,60 T	2,40 T
23	41	1,00 T	1,50 T	2,30 T
24	43	1,00 T	1,50 T	2,20 T
25	45	0,90 T	1,40 T	2,10 T
26	46	0,90 T	1,30 T	2,00 T
27	48	0,80 T	1,30 T	2,00 T
28	50	0,80 T	1,20 T	1,90 T
29	52	0,80 T	1,20 T	1,80 T
30	54	0,80 T	1,20 T	1,80 T

13. Inställning av blandningen

Enheten avhärdar råvattnet till 0 °dH.

Vi rekommenderar att följa tillverkarens råd för apparater som varmvattenberedare. Om en specifik vattnets hårdhet anges kan det vara nödvändigt att blanda det avhärdade vattnet med råvatten till den rekommenderade hårdheten.

Alternativ 1 - integrerad blandningsventil på styrhuvudet

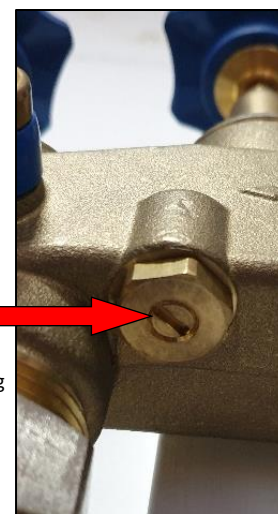


Genom att vrida på justerskruven ändrar du blandningen med råvatten.

Vrid medurs: vattenhårdheten ökar.

Vrid moturs: vattenhårdheten minskar.

Alternativ 2 - spårskruv på monteringsblocket



Spårskruv för resthårdhetsinställning

Genom att vrida på spårskruven ändrar du också blandningen med råvatten.

Vrid moturs: vattenhårdheten ökar.

Vrid medurs: vattenhårdheten minskar.

Vi rekommenderar blandning via monteringsblocket.

Resultatet blir mer exakt. Dessutom är monteringsblocket av mässing och är därför mer robust.

Kontrollera vattnets hårdhet vid en kran (provtagningskran på monteringsblocket) nära anläggningen med hjälp av ett kit för mätning av vattenhårdheten (titreringslösning).

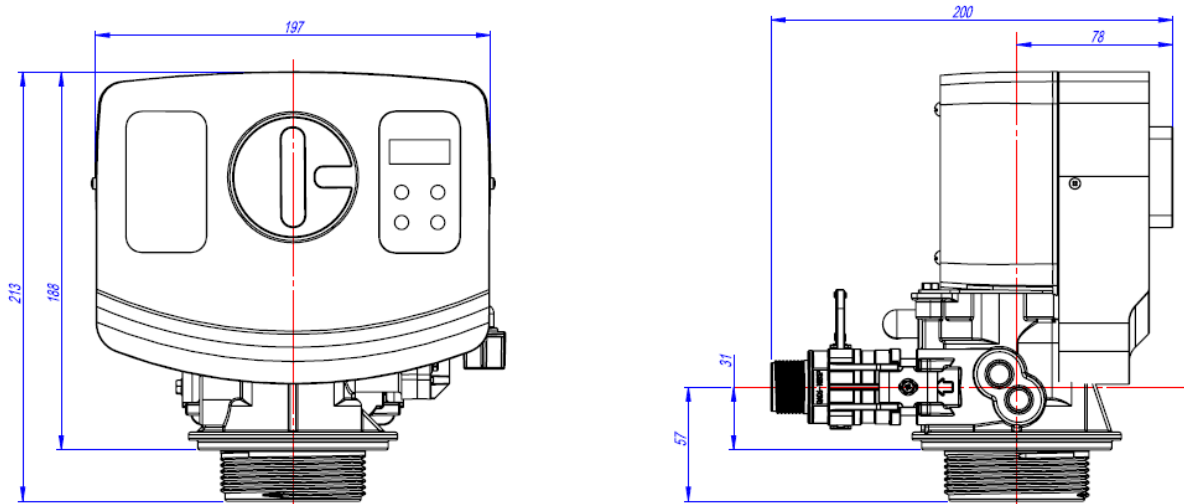
Låt vattnet rinna kontinuerligt i kranen. Mät bara vattnets hårdhet med kallvatten (varmvatten matas genom värmaren och mjuknar bara gradvis).

Beroende på avståndet till kranen kan det ta lång tid innan det nyblandade vattnets hårdhet kan mätas. (Mät därför direkt vid provtagningskranen på monteringsblocket)

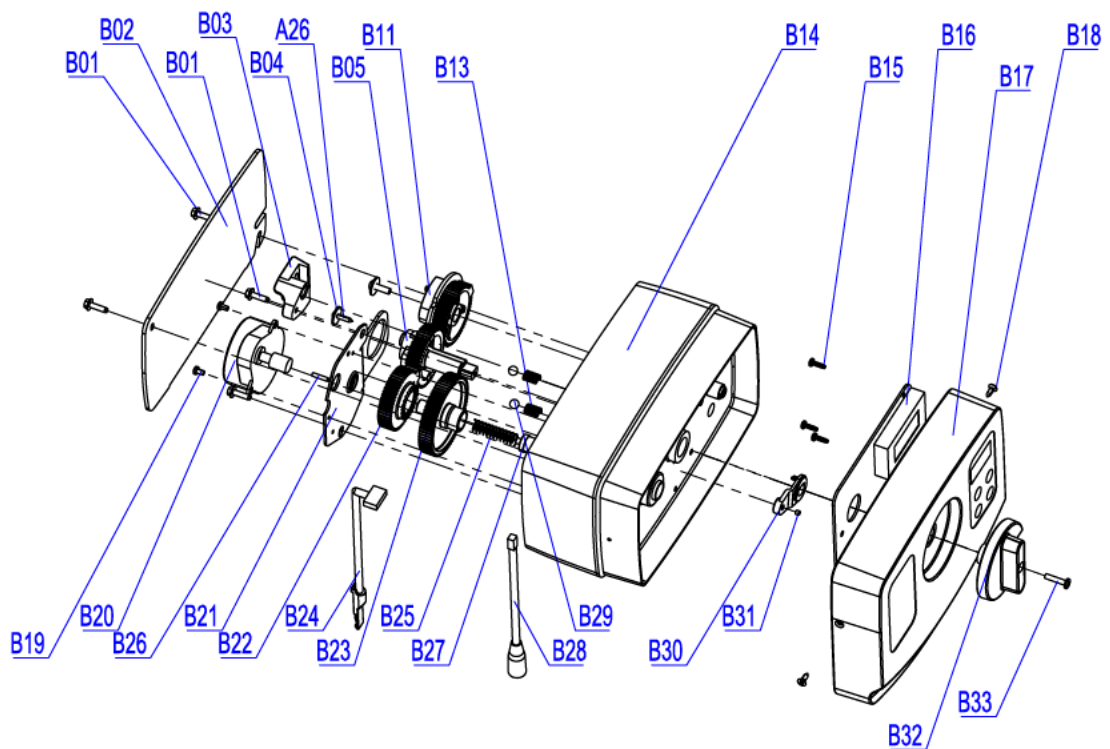
Det är bäst att låta en närliggande vattenkran rinna halvöppen och justera vattnets hårdhet.

14. Ritningar

Styrventilens mått



Sprängskiss över styrhuvud BNT1650

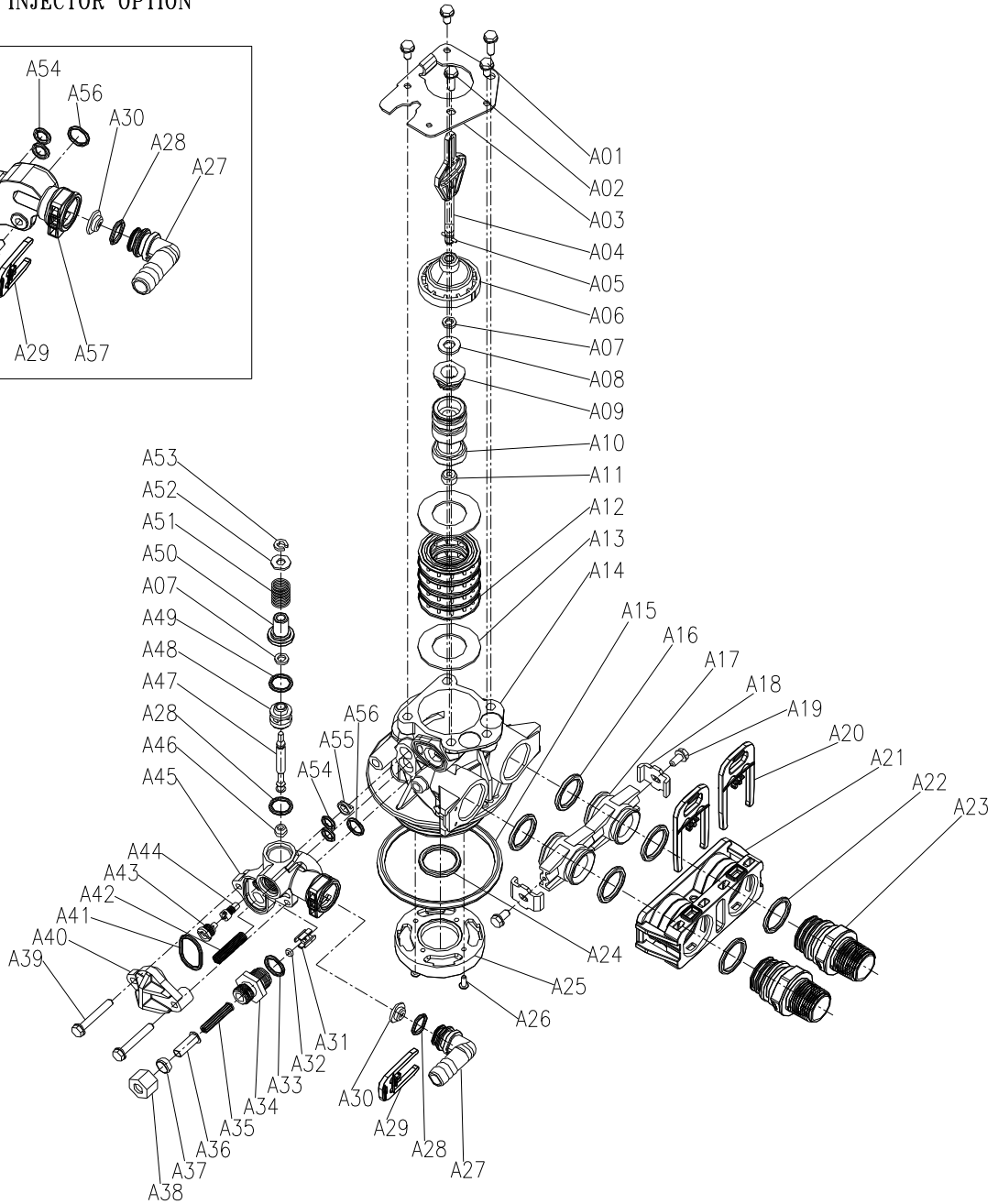
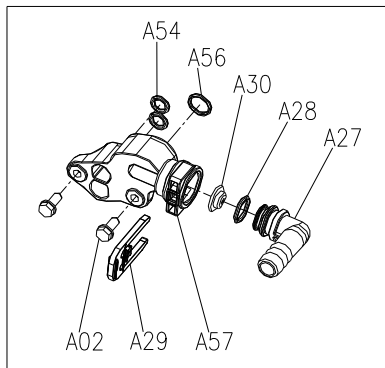


Reservdelista BNT-1650

	Artikel-nr	Beskrivning av delen	Antal
B01	05056136	Skruv-ST3,5x13 (sexkant med bricka)	4
B02	05056014	Bnt65 Back Cover (bakstycke)	1
B03	05010045	Piston Stem Holder (kolvstångshållare)	1
A26	13000426	Screw-ST2.9x13, Large wafer (skruv med stor skalle)	1
B04	05056139	Bricka-3x13	1
B05	05056005	Main Gear (huvuddrev)	1
B06	05056083	Skruv-M4x14	1
B07	05056166	Screw-ST4.2x12, Large wafer (skruv med stor skalle)	1
B08	05056141	Bricka-4x12	1
B09	13111004	Bricka 4x9	1
B10	05056016	Refill regulator (påfyllningsregulator)	1
B11	05056015	Brine Gear (saltlösningdrev)	1
B12	05056089	Mutter-M4	1
B13	05056095	Spring Detent (hållarfjäder)	2
B14	05056001	Bnt65 Housing (hus)	1
B15	05010037	Skruv ST2,9x10	5
B16	05056504	Bnt165 Pcb	1
B17	05056500	Bnt165 Front Cover (fronthölje)	1
	05056505	Bnt165 Operation Label (driftetikett)	1
	05056506	Bnt165 Regen. Label (reg.-etikett)	1
	3010019582	QR-kod etikett	1
B18	05056509	Skruv-ST2,9x10 (CSK)	2
B19	05056082	Skruv-M3x5	2
B20	05056510	Motor 12v/2rpm	1
	11700005	Wire Connector (ledningskontakt)	2
B21	05056045	Motor mounting plate (motormonteringsplatta)	1
B22	05056501	Bnt165 Drive Gear (drev)	1
A04	05010081	Bnt65 Piston Rod (kolvstång)	1
B23	05056002	Idler Gear (tomgångsdrev)	1
B24	05010031	Meter Assembly (mätarenhet)	1
	05010046	Meter Strain Relief (mätarens dragavlastning)	1
B25	05056094	Spring Idler (fjäder, tomgångsdrev)	1
B26	05056098	Motor pin (motortapp)	1
B27	05056502	Spring Retainer (fjäderhållare)	1
B28	05056507	Bnt165 Power Cable (strömkabel)	1
	05056013	Bnt65 Power Strain Relief (kabelns dragavlastning)	1
B29	05056092	Ball-1/4inch (kula 1/4 tum)	2
B30	05056503	Magnet Holder (magnethållare)	1
B31	05010023	Magnet 3x2,7	1
B32	05056008	Bnt65 Knob (vred)	1
	05056111	Bnt65 Knob Label (vred-etikett)	1
B33	05056084	Skruv-ST3,5x13	1

Sprängskiss över ventilhals BNT-1650

FILTER INJECTOR OPTION

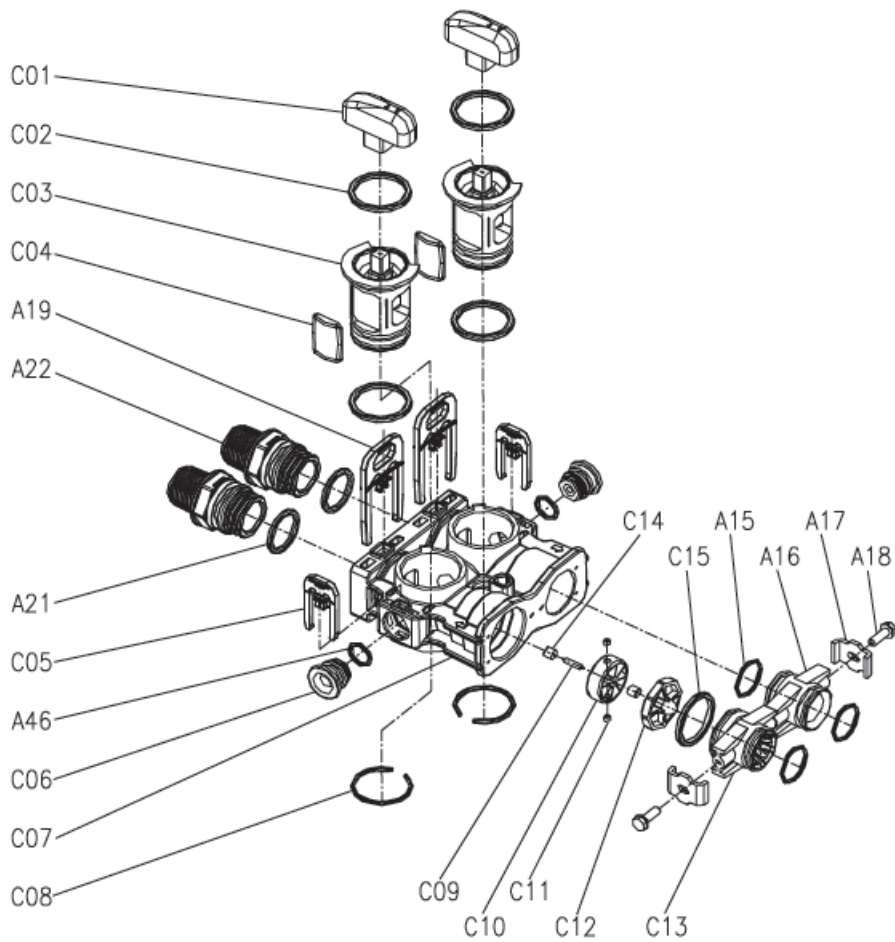


Reservdelslista till ventilhals BNT-1650

Del nr	Art.- nr	Beskrivning av delen	Antal
A01	05056087	Skruv-M5x12 (sexkant)	3
A02	05056088	Skruv-M5x16 (sexkant med bricka)	2
A03	05056047	End Plug Retainer (ändpluggshållare)	1
A04	05010081	Bnt65 Piston Rod (kolvstång)	1
A05	05056097	Piston pin (kolvtapp)	1
A06	05056023	End Plug (ändplugg)	1
A07	05056070	Quad Ring (quad-ring)	2
A08	05056024	End Plug Washer (ändpluggsbricka)	1
A09	05056022	Piston Retainer (kolvhållare)	1
A10	05056181	Piston, electrical (kolv, elektrisk)	1
A11	05056104	Muffler (ljuddämpare)	1
A12	05056021	Spacer (distans)	4
A13	05056073	Seal (tätning)	5
A14	05056019	Bnt65 Valve body (ventilhus)	1
A15	05056063	O-ring-q78.74x5.33	1
A16	05056129	O-ring q23x3	4
A17	05056025	Adaptor Coupling (adapterkoppling)	2
A18	05056044	Adaptor clip (adapterklämma)	2
A19	05056090	Skruv ST4.2x13 (sexkant med bricka)	2
A20	21709003	Secune Clip	2
A21	05056140	Valve Connector (ventilkoppling)	1
A22	05056065	O-ring q23.6x2.65	2
A23	21319006	Screw adapter (skruvadapter)	2
A24	26010103	O-ring q25x3.55	1
A25	07060007	Valve Bottom Connector (ventilens bottenkoppling)	1
A26	13000426	Screw ST2.9x13, Large Wafer (skruv med stor skalle)	2
A27	05010082	Drain Fitting-B (avloppskoppling-B)	1
A28	05056134	O-ring 12x2	2
A29	05056172	Sesune Clip S	1
A30	05056186	DLFC-2#	1
A31	05056035	BL F C Button Retainer (knapphållare)	1
A32	05056191	BL F C-2#	1
A33	05056138	O-ring 14x1,8	1
A34	05056100B	BL F C Fitting (koppling)	1
A35	05056106	Brine Line Screen (saltlösningssfilter)	1
A36	05056107	BL F C Tube Insert (rörinsats)	1
A37	05056033	BL FC Hona	1
A38	05056108	BL F C Fitting Nut (mutter)	1
A39	05056066	Skruv-M6x30 (sexkant med bricka)	2
A40	05056029	Injector Cover (injektorskydd)	1
A41	05056072	O-ring q24x2	1
A42	05056103	Injector Screen (injektorfilter)	1
A43	05056027	Injector Nozzle (injektormunstycke)	1
A44	05056028	Injector Throat (injektorhals)	1
A45	05056177	Injector Body-B (injektorhus-B)	1
A46	05056075	Injector Seat (injektorsäte)	1
A47	05056054	Injector Spacer (injektordistans)	1

A49	05056081	O-ring 12,5x1,8	1
A50	05056030	Injector Cap (injektorlock)	1
A51	05056093	Injector Screen (injektorfilter)	1
A52	05010049	Special Washer (specialbricka)	1
A53	05056105	Retaining ring (låsring)	1
A54	05056067	O-ring 7,8x1,9	2
A55	05056037	Air Disperser (luftspridare)	1
A56	05056066	O-ring 11x2	1
A57	05056165	Injector Body, filter (injektorhus, filter)	1

Sprängskiss över bypass-ventil



Reservdelista till bypass-ventil BNT-1650

Del nr	Artikel-nr	Beskrivning av delen	Antal
C01	05056147	Bypass Knob (bypass, vred)	2
C02	26010028	O-ring 28x2,65	4
C03	05056148	Bypass Plug (bypass-kontakt)	2
C04	05056149	Bypass Seal (bypass, tätning)	2
A20	21709003	Secure Clip	2
A23	21319006	Screw Adaptor (skruvadapter)	2
A22	05056065	O-ring 23,6x2,65	2
C05	05056172	Secure Clip S	2
A48	05056134	O-ring 12x2	1
C06	05056146	Bulkhead	2
C07	05056145	Bypass Body (bypass, hus)	1
C08	05056150	Collar 32x2.5 (krage)	2
C09	05010079	Impeller Pin (impeller, stift)	1
C10	05010014	Impeller	1
C11	05010078	Magnet 4x3	2
C12	05010077	Impeller holder (impellerhållare)	1
C13	05010083	Adaptor Distributor (adapter, fördelare)	1
C14	05010019	Pin Holder (stifthållare)	2
C15	26010046	O-ring 27x3	1
A16	05056129	O-ring 23x3	3
A17	05056025	Adaptor Coupling (adapterkoppling)	1
A18	05056044	Adaptor clip (adapterklämma)	2
A19	05056090	Skruv-ST4.2x13 (sexkant med bricka)	2

Tekniska specifikationer

Arbetsstryck:	2,0 bar till 6,0 bar
Omgivningstemperatur:	+5 °C till +40 °C
Anslutning av anläggningen:	Ingång: 230 V/50 Hz -- Utgång: 25 V/50 Hz
Gänga till tryckkärlet:	2,5" NPSM
Anslutningsstorlek ingång/utgång:	3/4"

Návod na použitie

Pokyny na programovanie

Objemovo riadená časovo oneskorená regenerácia
200 g Solenie >jednosmerný prúd<
R2D2- 32 / 48 / 72



Zmäkčovač vody R2D2
Kapacita 32 / 48 / 72
s regulačným ventilom BNT 1650

Obsah

Dôležité pokyny	157
Bezpečnostné pokyny	157
Oblasti použitia	158
Regeneračná soľ	159
Výstražné upozornenia	159
Údržba / servis	159
Skladovanie a preprava	159
Inštalácia	160
Uvedenie do prevádzky	161
Úprava nastavení na regulačnom ventile	162
Programovanie regulačného ventilu	164
Výpočet zmäkčovacej kapacity	167
Nastavenie miešania	168
Rozmery regulačného ventilu	170
Rozložený pohľad na riadiacu hlavicu s číslami dielov	171
Rozložený pohľad na hrdlo ventilu s číslami dielov	172
Rozložený pohľad na obtokový ventil s číslami dielov	174

1. Dôležité pokyny

Pred inštaláciou a používaním zariadenia si prečítajte celý tento návod na obsluhu. Je potrebné dodržiavať bezpečnostné pokyny a riadiť sa nimi.

Mehčalec smo v veliki meri že vnaprej programirali.

Preverite trdoto vode in po potrebi popravite vnaprej nastavljeno vrednost. Nepravilno nastavljena vrednost lahko povzroči okvare! Sistem ima standardno 3-letno tovarniško garancijo. Ta garancija velja le, če je sistem uporabljen v skladu z vsemi predpisi.

2. Bezpečnostné pokyny

Zmäkčovač vody musí byť nainštalovaný na nezámrzájúcom mieste, ktoré je chránené pred vlhkosťou. Nesmie byť inštalovaný vonku.

Montáž a inštaláciu môžu vykonávať iba vyškolení odborníci. Práce na vodovodnej inštalácii môžu vykonávať len autorizované montážne firmy. Musia sa prísne dodržiavať miestne predpisy. Dbajte na dodržiavanie pokynov v návode na inštaláciu!

Tento zmäkčovač vody je určený len na prevádzku v oblasti pitnej vody. Nesmú byť prekročené limitné hodnoty nemeckej vyhlášky o pitnej vode (TVO), najmä pre železo (Fe 0,2 mg/l), ako aj mangán (Mn 0,05 mg/l).

Akékoľvek použitie, ktoré nie je v súlade s určeným účelom, nie je povolené. Pred zmäkčovačom vody musí byť nainštalovaný vodný filter, najmä na ochranu pred znečistením a zanášaním.

Odporúča sa aj použitie ochranného filtra za systémom, pretože mechanické poškodenie alebo vady materiálu by mohli spôsobiť vyplavenie iónomeničovej živice.

Prípustný tlak vody je 2,0 - 6,0 bar. Ak je existujúci tlak vody nad touto hranicou, musí sa použiť redukcia tlaku.

Za preprečitev poškodb zaradi vode mora biti v bližini mesta namestitve na voljo odprt odtok. Če to ni mogoče, namestite zaščitni rezervoar pred odtokom, da preprečite povratni pretok odpadne vode.

Mesto namestitve mora biti ravno, suho in brez virov toplote, pri temperaturi med +5 °C in +40 °C. Preverite, ali je naprava stabilna in se ne more prevrniti.

V sistemih s kubičnimi in cinkovimi deli lahko zelo mehka voda povzroči korozijo. Pri trdoti vode nad 15 °dH se priporoča ohranjanje preostale trdote med 3–5 °dH. Aqmos mehčalec vode samodejno mehča vodo na 0 °dH, vendar je to enostavno prilagoditi z mešalno vijakom.

Preverite, ali je po nacionalnih predpisih potrebna zaščita pred povratnim tokom pri vodovodnem priključku. V primeru dvoma se obrnite na svojega dobavitelja vode.

3. Oblasti použitia

Oblasť použitia: Pitná voda

Určenie: Zníženie tvrdosti vody (vápnik/horčík)

Pripojenie systému: Vstup: 230 V / 50 Hz Výstup: 24 V / 50 Hz

Okolité teplota: min. +5 °C / max. +40 °C

Teplota vody: min. +5 °C / max. +30 °C

Prevádzkový tlak: min. 2 bar / max. 6 bar

Vlhkosť vzduchu: max. 60 %

Soľ: podľa DIN 19604, DIN EN 973 typ A

Odolnosť proti striekajúcej vode: nie

Rušivé ióny: chlór, železo, mangán

4. Regeneračná soľ

Systém sa môže používať len so soľnými tabletami vyrobenými z vysoko čistej odparenej soli (NaCl) podľa DIN 10604, DIN EN 973 typ A. (stupeň čistoty)

Použitie iných solí (cestná soľ, drvená soľ) môže systém znečistiť a spôsobiť značné škody. Používajte len regeneračnú soľ.

5. Výstražné upozornenia

Ohrozenie elektrickou energiou - nebezpečenstvo úrazu elektrickým prúdom!

Pred prácou na prístroji vždy odpojte sieťovú zástrčku!

Ak je poškodená izolácia kábla alebo elektrické komponenty, okamžite ich vymeňte.

Nebezpečenstvo spôsobené tlakom vody!

Pred prácou na zariadení vždy uvoľnite tlak a vypnite vodu na montážnom bloku. Na tento účel najprv zatvorte vonkajšie ventily a potom otvorte stredný obtokový ventil. Ďalej montážni blok ni na voljo, zaprite hlavný ventil in sprostite prítisk skozi iztočno točko, ki se nahaja čim nižje v vodovodnem omrežju.

Nebezpečenstvo spôsobené znečistením!

Na zabezpečenie dostatočného prietoku prispôsobte zariadenie skutočnej spotrebe vody. Ak sa zariadenie dlhší čas nepoužíva, musí ho odborná firma riadne odstaviť. V žiadnom prípade nedeaktivujte nútenú regeneráciu.

6. Údržba / Servis

Prevádzkovateľ by mal zariadenie pravidelne kontrolovať, aby sa zabezpečila jeho bezchybná funkčnosť. Odporúča sa každoročná údržba špecializovanou firmou, aby sa zabezpečila technicky bezchybná funkčnosť - na základe normy DIN 1988 časť 8.

Závady alebo poruchy sa musia okamžite odstrániť.

Prevádzkovateľ musí zabezpečiť, aby bolo v zariadení vždy dostatočné množstvo soli na zaručenie správneho fungovania zariadenia.

7. Skladovanie a preprava

Zariadenie sa smie prepravovať len v pôvodnom obale. Musí sa skladovať bez mrazu, mimo dosahu silných zdrojov tepla a vo zvislej polohe. Dbajte na smer umiestnenia uvedený na vonkajšom obale.

8. Inštalácia

Inštalácia zariadenia musí byť v súlade s platnými normami a predpismi.

Pripojovací montážny blok

Pred začatím prác zatvorte hlavný posúvací uzáver.

Potom otvorte kohútik za ním a uvoľnite zvyškový tlak vody.

Montážny blok musí byť nainštalovaný v inštalačnom potrubí za vodomermom, vodným filtrom a v prípade potreby za redukciou tlaku.

Dávajte pozor na smer prúdenia montážneho bloku (šípka na montážnom bloku).

Vložte skúšobný kohútik (vpredú) a zátku (vzadu) podľa smeru prúdenia.

Zatvorte dva vonkajšie ventily montážneho bloku. Potom otvorte stredný obtokový ventil. Hlavný posúvací uzáver potom môžete opäť otvoriť. Voda teraz prúdi cez obtok montážneho bloku.

Skontrolujte tesnosť.

Pripojenie odpadovej vody

V blízkosti miesta inštalácie musí byť prípojka odpadovej vody. Odpadovú hadicu môžete položiť od prípojky odpadovej vody systému maximálne 120 cm smerom nahor. Dĺžka by mala byť maximálne 6 metrov a mala by mať minimálny sklon.

Pripojte hadicu na odpadovú vodu (priemer 12 mm) k odtokovej prípojke (na zadnej strane regulačnej hlavice) regulačného ventilu. Pripojenie zaistíte hadicovou svorkou.

Preplachovaciu hadicu pripojte k preplachovaniu skrinky (na zadnej strane nádoby na soľ).

Pripojte konce hadíc ku kanalizačnej prípojke (obe samostatne, nespájajte ich pomocou T-kusu.

Hrozí nebezpečenstvo spätného toku!). Použite otvorený vývod a/alebo spätnú klapku

(nebezpečenstvo spätného toku). Hadice dostatočne upevnite (nebezpečenstvo vykĺznutia v dôsledku tlakových rázov).

Pripojenie zmäkčovača vody

Vyrovnejte zariadenie v požadovanej polohe na úrovni terénu. Uistite sa, že podlaha je rovná a čistá. Stavebná suť alebo kamene môžu poškodiť skrinku.

Spojte prípojky regulačného ventilu (3/4" vonkajší závit) s prípojkami montážneho bloku (1" vonkajší závit) pomocou flexibilných pancierových hadíc. Na tento účel použite 3/4" ploché tesnenia. Dbajte na vstup a výstup (šípky) prípojok na zariadení a montážnom bloku (nebezpečenstvo pomýlenia!).

Otvorte červené uzatváracie ventily na regulačnom ventilu (musia byť navzájom rovnobežné).

Skontrolujte tesnosť všetkých spojov.

Do skrinky ešte nenasypávajúce žiadnu soľ!

Otvorte dva vonkajšie ventily montážneho bloku, až potom zatvorte stredný obtokový ventil. Teraz je voda vedená cez zmäkčovač vody.

Skontrolujte tesnosť všetkých spojov.

9. Uvedenie do prevádzky

- Do skrinky naplňte cca 15 litrov (do výšky cca 25 cm). Po prvej regenerácii je optimálna hladina vody v nádobe na soľ.
- Skontrolujte, či soľanka (priemerne 3/8") medzi regulačným ventilom a plavákovým ventilom tesne prilieha.
- Pripojte regulačný ventil k elektrickej sieti. LCD displej bliká a zobrazuje čas a zostávajúcu kapacitu.
- Teraz vykonajte manuálnu regeneráciu. Na tento účel otočte veľkým otočným gombíkom na regulačnom ventilu v smere hodinových ručičiek z polohy „SERV.“ do polohy „BA. WA.“. Na displeji sa zobrazí

BACKWASH

Systém teraz vykoná manuálnu regeneráciu.

Teraz sa začne spätné preplachovanie (Backwash).
Zostávajúcí čas sa zobrazuje v dolnom riadku displeja.

Po uplynutí zostávajúceho času sa gombík otočí do polohy „BRINE“ (solenie).
Na displeji sa zobrazí

BRINE

Zariadenie teraz solí zmäkčovaciu živicu.

Po nasolení zariadenie vykoná kroky „RINSE“ (opláchnutie) a „REFILL“ (naplnenie nádržky na soľanku).

Uistite sa, že systém nenasáva vzduch cez hadicu soľanky, v prípade potreby skontrolujte pripojenia hadice soľanky.

Počkajte do ukončenia manuálnej regenerácie (približne 45 min.).

- Teraz systém prepláchol zmäkčovaciu živicu a prečerpal príslušné množstvo vody do nádrže na soľanku.
- Teraz naplňte soľné tablety do nádrže na soľný roztok, kým nebude úplne plná. Trvá približne 4-6 hodín, kým sa soľ rozpustí vo vode na maximálnu koncentráciu a vytvorí soľanku.
Počas tohto procesu hladina soľných tabliet klesá. Nepridávajte žiadnu ďalšiu vodu!
- Teraz je možné vykonať nastavenia na regulačnom ventilu. (Systém je kompletne prednastavený od nás.) Musíte nastaviť iba čas a kapacitu.

10 Úprava nastavení na regulačnom ventilu

Regulačný ventil sa ovláda pomocou ľahko použiteľnej elektroniky prostredníctvom LCD displeja. V bežnej prevádzke sa zobrazuje aktuálny čas a zostávajúca kapacita do ďalšej regenerácie.

Kapacita sa zobrazuje v T (tonách). Jedna tona zodpovedá 1000 litrom alebo 1 m³ vody.

Regulačný ventil sme že nastavili na način "Volumenski način s prisilno regeneracijo" (meter override). Tvrdosť vody, ktorá sa má odstrániť, musí byť nastavená podľa tvrdosti, ktorú máte. Prevádzkový režim by sa nemal meniť, aby sa zabránilo bakteriálnej kontaminácii.

Všetky nasledujúce hodnoty sú už pre vás prednastavené!

Parameter		Možnosti	Popis
1	JAZYK	<u>ANGLIČTINA</u> atď	Vyberte jazyk ponuky (angličtina, španielčina, turečtina, poľština, francúzština, ruština)
2	REGIÓN	<u>METRIC</u>	Výber jednotky
		U.S.	Galóny (USA) alebo tony (1 tona = 1 000 l)
3	REŽIM REGENERÁCIE	KALENDÁR HODINY	V tomto režime sa systém regeneruje po pevne stanovenom počte dní v pevne stanovenom čase. Množstvo vody spotrebovanej počas tohto obdobia sa <u>nezohľadňuje</u> . Skratka na displeji: CC (Calendar Clock)
		METER IMMEDIATE	V tomto režime sa zariadenie regeneruje po dosiahnutí pevne naprogramovaného množstva vody. Po dosiahnutí nastaveného objemu sa regenerácia uskutoční <u>okamžite</u> . Skratka na displeji: MI (Meter Immediate)
		METER DELAY	V tomto režime sa zariadenie regeneruje po dosiahnutí pevne naprogramovaného množstva vody. Po dosiahnutí nastaveného objemu sa regenerácia uskutoční v určitom čase (<u>oneskorene</u>). Skratka na displeji: MD (Meter Delay)

		<u>METER</u> <u>VERRIDE</u>	<p>V tomto režime sa zariadenie regeneruje po dosiahnutí pevne naprogramovaného množstva vody.</p> <p>Po dosiahnutí nastaveného objemu sa regenerácia uskutoční v určitom čase (oneskorene). Okrem toho sa po vopred definovanom počte dní spustí vynútená regenerácia bez ohľadu na spotrebovaný objem. Tým sa zabráni znečisteniu zariadenia, ak sa nespotrebuje žiadna voda (napr. počas dovolenky).</p> <p>Skratka na displeji: MO (Meter Override)</p>
4	TIME		Tu nastavte čas.
5	REG. TIME (REGENERATION DAYS)	2:00	Zadajte čas, v ktorom sa má zariadenie regenerovať. Odporúčame 2:00, pretože v tomto čase sa voda používa len zriedka.
6	REG. DAYS (REGENERATION DAYS)	7	Zadajte počet dní, po ktorých sa má systém zregenerovať (iba v režime „Calendar Clock“ a „Meter Override“).
7	REG. CAP.	R2D2-32 = 1,45 tony R2D2-48 = 2,10 tony R2D2-72 = 3,20 tony	Tu sa uvádza zmäkčovacia kapacita. Kapacita sa vypočíta z existujúcej tvrdosti vody a množstva zmäkčovacej živice, ako aj z požadovaného vypnutia na regulačnom ventile.
8	BACKWASH (spätne preplachovanie)	R2D2-32 = 1 minúty R2D2-48 = 1 minúty R2D2-72 = 1 minúty	Dĺžka spätného preplachovania zmäkčovacej živice v minútach. Spätne preplachovanie čistí živicu. Túto hodnotu <u>nemeňte</u>.
9	BRINE (soľný roztok)	R2D2-32 = 28 minút R2D2-48 = 35 minút R2D2-72 = 40 minút	Dĺžka solenia zmäkčovača v minútach. Solenie soľankou sa regeneruje živica a obnovuje sa pôvodná zmäkčovacia kapacita. Túto hodnotu <u>nemeňte</u>.
10	RINSE (opláchnutie)	R2D2-32 = 2 minúty R2D2-48 = 2 minúty R2D2-72 = 3 minúty	Trvanie oplachovania zmäkčovacej živice v minútach. Konečné zvyšky soľanky a akékoľvek znečistenie v lôžku živice sa vypláchnu oplachom. Túto hodnotu <u>nemeňte</u>.

11	REFILL (doplnenie nádrže na soľanku)	R2D2-32 = 3,2 minúty R2D2-48 = 4,8 minúty R2D2-72 = 7,2 minúty	Trvanie doplnenia nádrže na soľanku v minútach. Opätovné naplnenie naplní nádrž na soľanku vodou, aby sa do ďalšieho procesu regenerácie mohla vytvoriť nová soľanka. Túto hodnotu <u>nemeňte</u>.
12	LOAD DEFAULT (obnovenie výrobných nastavení)		Vynulujte všetky nastavenia. Systém je už naprogramovaný na nemecké hodnoty. Pri resetovaní sa prepíšu aj tie. Túto funkciu <u>neaktivujte</u>.

Režim „Objemový režim s nútenou regeneráciou“

(Meter Override) odporúčaný pre európskych používateľov je už prednastavený a nemá by sa meniť.

Pre správnu prevádzku v tomto režime je potrebné vykonať len niekoľko nastavení.

Nastavenie času

Týmto nastavíte, aby sa regenerácia uskutočnila v požadovanom čase (predvolené nastavenie: 2:00 hod.).

Nastavenie dní do vykonania nútenej regenerácie

Z hygienických dôvodov sme prednastavili nútenú regeneráciu na 7 dní (Lahko se poveča tudi na 10 dni za bolj učinkovito delovanje).

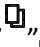
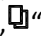
Nastavenie zmäkčovacej kapacity

V závislosti od veľkosti systému (množstvo zmäkčovacej živice) a tvrdosti vody je potrebné vypočítať a zadať kapacitu. **Glej poglavje 12**


Kontrola všetkých parametrov

Skontrolujte, či všetky parametre zodpovedajú veľkosti zariadenia.


11. Naprogramovanie regulačného ventilu v režime „Objemový režim s nútenou regeneráciou“ (Meter Override)

Stlačte tlačidlo „“, na 3 sekundy, aby ste uvoľnili uzamknutie kľúča (odomknutie obrazovky). Stlačením tlačidla „“ vstúpte do ponuky.

Na displeji sa zobrazí „LANGUAGE“.

Stlačte tlačidlo „“. Displej začne blikať.

Pomocou tlačidiel „“ a „“ vyberte režim „ENGLISH“.

Uložte túto položku pomocou tlačidla „“.

Stlačením tlačidla „“ prejdite na ďalšiu položku.

Zobrazí sa „REGION METRIC“ alebo „REGION US“.
Stlačte tlačidlo „■“. Displej začne blikať.
Pomocou tlačidiel „▲“ a „▼“ vyberte režim „REGION METRIC“.
Uložte túto položku pomocou tlačidla „■“.

Stlačením tlačidla „▼“ sa dostanete k ďalšiemu bodu.

Zobrazí sa vám jeden z nasledujúcich režimov: „METER DELAY“, „METER OVERRIDE“, „METER IMMEDIAT“, „CALENDAR CLOCK“.
Stlačte tlačidlo „■“. Displej začne blikať.
Pomocou tlačidiel „▲“ a „▼“ zvolte režim „METER OVERRIDE“.
Uložte položku pomocou tlačidla „■“.

Stlačením tlačidla „▼“ prejdite na ďalšiu položku.

Zobrazí sa: „TIME“ (aktuálny čas).
Stlačte tlačidlo „■“. Displej začne blikať.
Pomocou tlačidiel „▲“ a „▼“ vyberte hodinu.
Uložte položku pomocou tlačidla „■“.

Teraz bliká nastavenie minút.
Pomocou tlačidiel „▲“ a „▼“ vyberte minútu.
Uložte túto položku pomocou tlačidla „■“.

Stlačením tlačidla „▼“ sa dostanete k ďalšiemu bodu.

Zobrazí sa: „REG. TIME“.
Stlačte tlačidlo „■“. Displej začne blikať.
Pomocou tlačidiel „▲“ a „▼“ vyberte hodinu.
(Odporúčame „2“)
Uložte túto položku pomocou tlačidla „■“.

Teraz bliká nastavenie minút.
Pomocou tlačidiel „▲“ a „▼“ vyberte minúty.
(Odporúčame „0“)
Uložte túto položku pomocou tlačidla „■“.

Stlačením tlačidla „▼“ sa dostanete k ďalšiemu bodu.

Zobrazí sa: „REG. DAYS“.
Stlačte tlačidlo „■“. Displej začne blikať.
Pomocou tlačidiel „▲“ a „▼“ vyberte dni.
(Odporúčame „07“)
Uložte túto položku pomocou tlačidla „■“.

Stlačením tlačidla „▼“ sa dostanete k ďalšiemu bodu.

Zobrazí sa „REG. CAP.“.
Stlačte tlačidlo „■“. Displej začne blikať.
Pomocou tlačidiel „▲“ a „▼“ vyberte kapacitu v tonách (= 1000 litrov).
Tu zadajte hodnotu objemu z tabuľky na strane 167.
Uložte túto položku pomocou tlačidla „■“.

Teraz bliká nastavenie kapacity v litroch.
Pomocou tlačidiel „▲“ a „▼“ vyberte kapacitu v litroch.
Tu zadajte desatinnú hodnotu z tabuľky na strane 167.
Uložte túto položku pomocou tlačidla „■“.

Stlačením tlačidla „▼“ sa dostanete k ďalšiemu bodu.

Zobrazí sa: „BACKWASH“.
Stlačte tlačidlo „■“. Displej začne blikáť.
Pomocou tlačidiel „▲“ a „▼“ vyberte vhodný čas v minútach pre vaše zariadenie:
R2D2-32: 01 min.
R2D2-48: 01 min.
R2D2-72: 01 min.
Uložte túto položku pomocou tlačidla „■“.

Stlačením tlačidla „▼“ sa dostanete k ďalšiemu bodu.

Zobrazí sa: „BRINE“.
Stlačte tlačidlo „■“. Displej začne blikáť.
Pomocou tlačidiel „▲“ a „▼“ vyberte vhodný čas v minútach pre vaše zariadenie:
R2D2-32: 28 min.
R2D2-48: 35 min.
R2D2-72: 40 min.
Uložte túto položku pomocou tlačidla „■“.

Zobrazí sa: „RINSE“.
Stlačte tlačidlo „■“. Displej začne blikáť.
Pomocou tlačidiel „▲“ a „▼“ vyberte vhodný čas v minútach pre vaše zariadenie:
R2D2-32: 02 min.
R2D2-48: 02 min.
R2D2-72: 03 min.
Uložte túto položku pomocou tlačidla „■“.

Stlačením tlačidla „▼“ sa dostanete k ďalšiemu bodu.

Zobrazí sa: „REFILL“.
Stlačte tlačidlo „■“. Displej začne blikáť.
Pomocou tlačidiel „▲“ a „▼“ vyberte vhodný čas v minútach pre vaše zariadenie:
R2D2-32: 03.2 min.
R2D2-48: 04.8 min.
R2D2-72: 07.2 min.
Uložte túto položku pomocou tlačidla „■“.

Stlačením tlačidla „□“ ukončíte programovanie.

Váš zmäkčovač vody je teraz plne naprogramovaný a pripravený na použitie.

12. Výpočet zmäkčovacej kapacity

V závislosti od množstva použitej zmäkčovacej živice môže zmäkčovacie zariadenie zmäkčiť rôzne množstvá vody.

Tvrdosť surovej vody tiež výrazne ovplyvňuje kapacitu zariadenia.

Obidve hodnoty musia byť známe a uložené v regulačnom ventile, aby sa zabezpečilo, že systém bude fungovať čo najefektívnejšie a správne.

Na jednoduché zistenie existujúcej tvrdosti surovej vody použite súpravu na meranie celkovej tvrdosti. Prípadne môžete tvrdosť vody zistiť v informáciách poskytnutých vašou vodárenskou spoločnosťou (napríklad na jej webovej stránke).

V prípade potreby si môžete vypočítať aj hodnoty v tabuľke nižšie:

Príklad:

32: 20°dH = 1200 litrov mäkkej vody

48: 20°dH = 1800 litrov mäkkej vody

72: 10°dH = 5400 litrov mäkkej vody

		R2D2-32	R2D2-48	R2D2-72
°dH	°fH			
5	9	4,80 T	7,20 T	10,80 T
6	11	4,00 T	6,00 T	9,00 T
7	12	3,40 T	5,10 T	7,70 T
7,5	13	3,20 T	4,80 T	7,20 T
8	14	3,00 T	4,50 T	6,70 T
9	16	2,60 T	4,00 T	6,00 T
10	18	2,40 T	3,60 T	5,40 T
11	20	2,10 T	3,20 T	4,90 T
12	21	2,00 T	3,00 T	4,50 T
13	23	1,80 T	2,70 T	4,10 T
14	25	1,70 T	2,50 T	3,80 T
15	27	1,60 T	2,40 T	3,60 T
16	29	1,50 T	2,20 T	3,30 T
17	30	1,40 T	2,10 T	3,10 T
18	32	1,30 T	2,00 T	3,00 T
19	34	1,20 T	1,90 T	2,80 T
20	36	1,20 T	1,80 T	2,70 T
21	37	1,10 T	1,70 T	2,50 T
22	39	1,00 T	1,60 T	2,40 T
23	41	1,00 T	1,50 T	2,30 T
24	43	1,00 T	1,50 T	2,20 T
25	45	0,90 T	1,40 T	2,10 T
26	46	0,90 T	1,30 T	2,00 T
27	48	0,80 T	1,30 T	2,00 T
28	50	0,80 T	1,20 T	1,90 T
29	52	0,80 T	1,20 T	1,80 T
30	54	0,80 T	1,20 T	1,80 T

13. Nastavenie miešania

Naprava zmechča surovo vodu do 0 °dH.

Priporúčamo, da upoštevate nasvete proizvajalcev naprav, kot so bojlerji. Če je navedena določena trdota vode, bo morda potrebno zmešati zmechčano vodo s surovo vodo do priporočene trdote.

Možnosť 1 - integrovaný zmiešavací ventil na radiacej hlave



Otáčaním nastavovacej skrutky meníte miešanie so surovou vodou.

Otočenie po smere hodinových ručičiek:
Tvrdość vody sa zvyšuje.

Otočenie proti smeru hodinových ručičiek:
Tvrdość vody klesá.

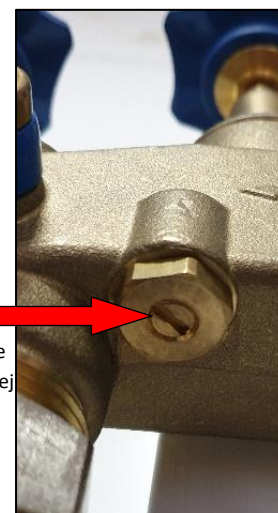
Odporúčame miešanie cez montážny blok.

Výsledok je presnejší. Montážny blok je navyše vyrobený z mosadze a je teda robustnejší.

Skontrolujte tvrdość vody na kohútiku (odberový kohútik na montážnom bloku) v blízkosti systému pomocou súpravy na meranie tvrdości vody (titračný roztok).
Nechajte vodu v kohútiku nepretržite tiecť. Tvrdość vody merajte len so studenou vodou (horúca voda prechádza cez ohrievač a zmäkčuje sa len postupne).
V závislosti od vzdialenosti od kohútika môže trvať dlhší čas, kým bude možné zmerať tvrdość novo namiešanej vody. (Preto merajte priamo pri vzorkovacom kohútiku na montážnom bloku).

Najlepšie je spustiť najbližší vodovodný kohútik na pol plynu a nastaviť tvrdość vody.

Možnosť 2 - skrutka s drážkou na montážnom bloku



Skrutka s drážkou pre nastavenie zvyškovj tvrdości

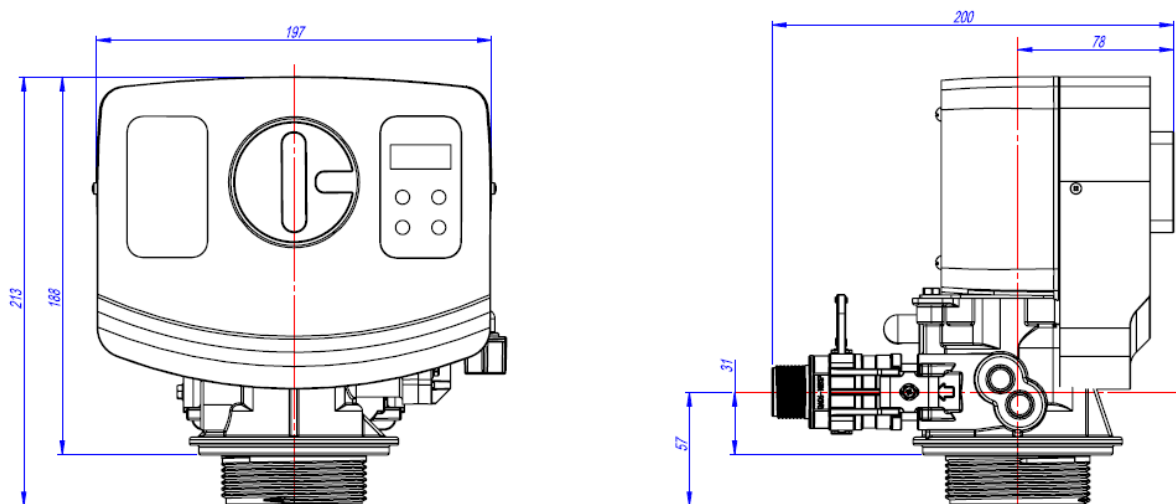
Otáčaním skrutky s drážkou zmeníte aj miešanie so surovou vodou.

Otočenie proti smeru hodinových ručičiek:
Tvrdość vody sa zvyšuje.

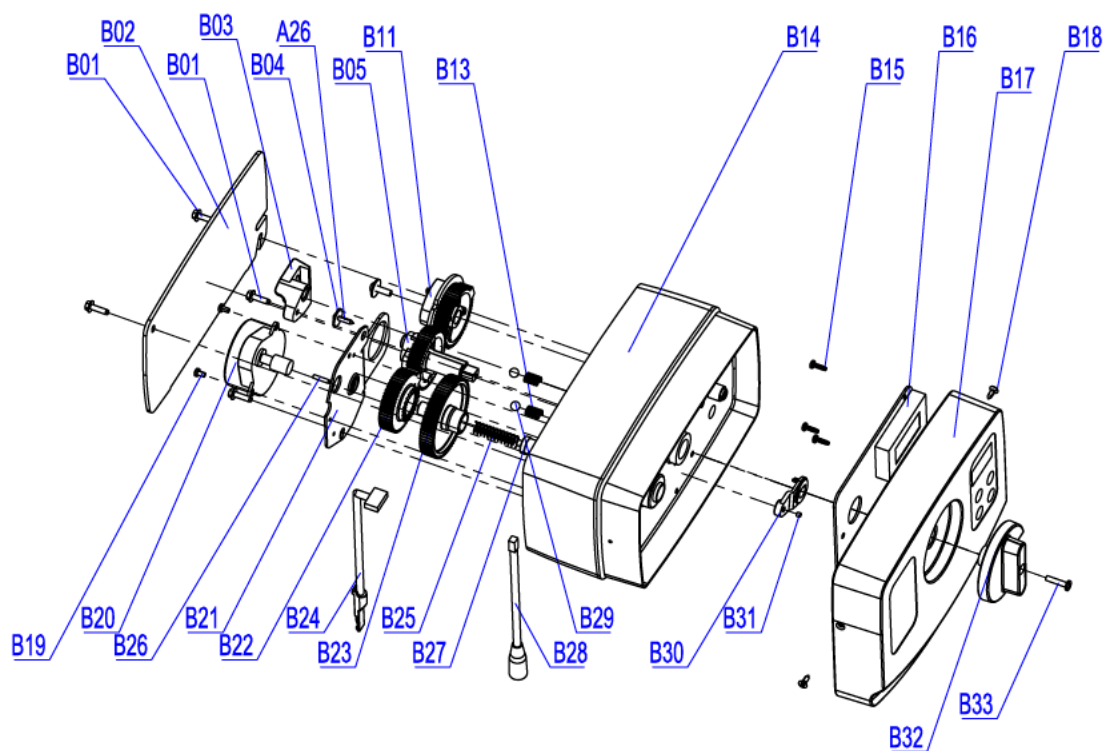
Otočenie po smere hodinových ručičiek:
Tvrdość vody klesá.

14. Výkresy

Rozměry regulačního ventilu



Rozložený pohľad na riadiacu hlavicu BNT1650

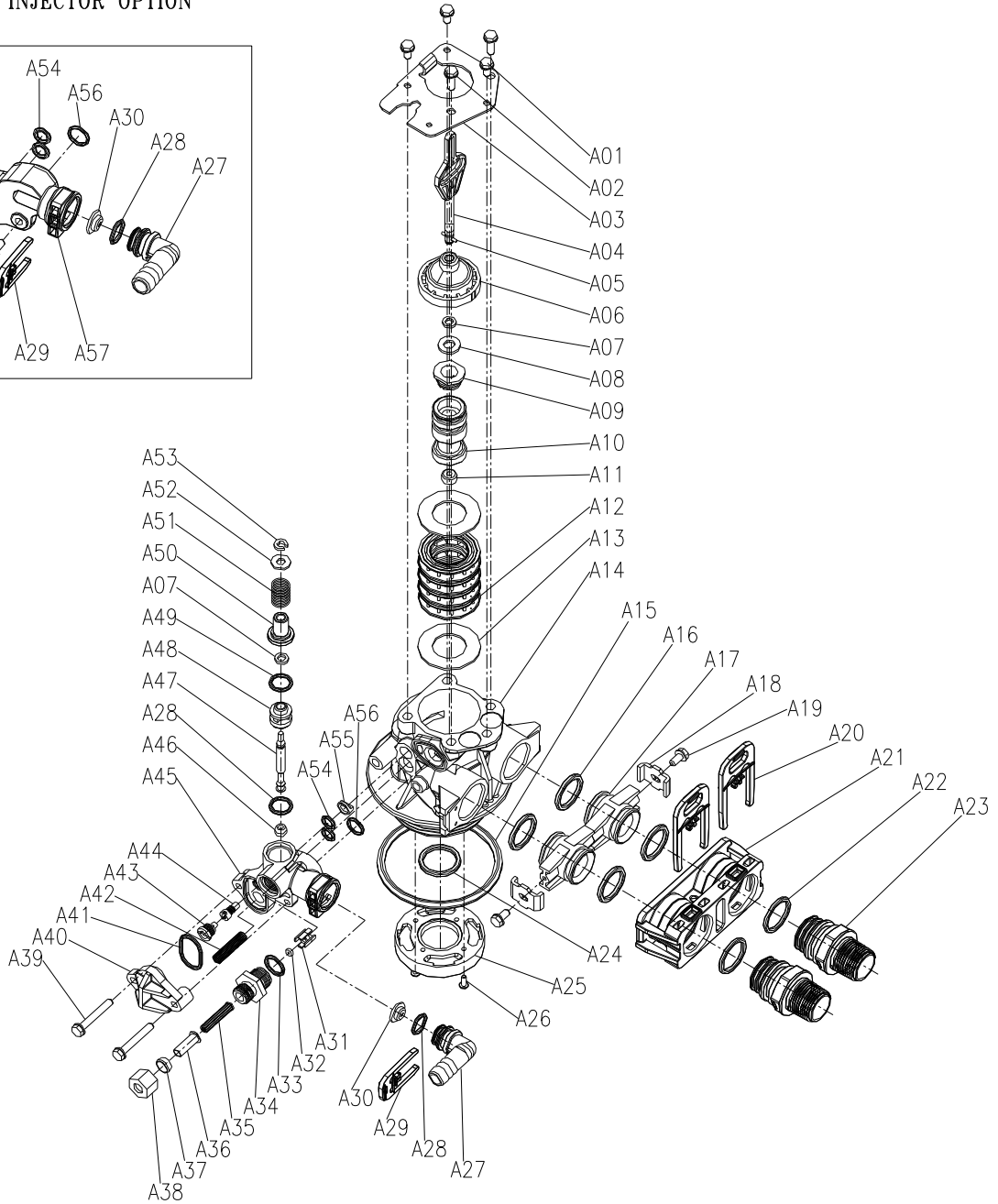
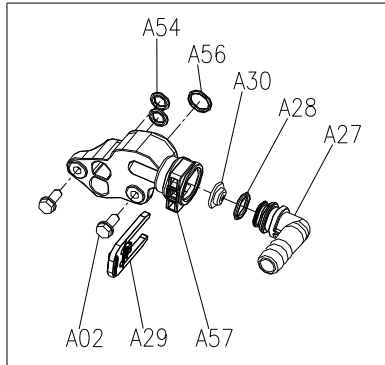


Zoznam náhradných dielov BNT-1650

	Part No.	Part Description	Quantity
B01	05056136	Screw-ST3.5x13 (Hexagon with Washer)	4
B02	05056014	Bnt65 Back Cover	1
B03	05010045	Piston Stem Holder	1
A26	13000426	Screw-ST2.9x13 (Large Water)	1
B04	05056139	Washer-3x13	1
B05	05056005	Main Gear	1
B06	05056083	Screw-M4x14	1
B07	05056166	Screw-ST4.2x12 (Large Water)	1
B08	05056141	Washer-4x12	1
B09	13111004	Washer-4x9	1
B10	05056016	Refill Regulator	1
B11	05056015	Brine Gear	1
B12	05056089	Nut-M4	1
B13	05056095	Spring Detent	2
B14	05056001	Bnt65 Housing	1
B15	05010037	Srew-ST2.9x10	5
B16	05056504	Bnt165 Pcb	1
B17	05056500	Bnt165 Front Cover	1
	05056505	Bnt165 Operation Label	1
	05056506	Bnt165 Regen. Label	1
	3010019582	Nalepka s kodo QR	1
B18	05056509	Screw-ST2.9x10 (CSK)	2
B19	05056082	Screw-M3x5	2
B20	05056510	Motor-12v/2rpm	1
	11700005	Wire Connector	2
B21	05056045	Motor Mounting Plate	1
B22	05056501	Bnt165 Drive Gear	1
A04	05010081	Bnt65 Piston Rod	1
B23	05056002	Idler Gear	1
B24	05010031	Meter Assembly	1
	05010046	Meter Strain Relief	1
B25	05056094	Spring Idler	1
B26	05056098	Motor Pin	1
B27	05056502	Spring Retainer	1
B28	05056507	Bnt165 Power Cable	1
	05056013	Bnt65 Power Strain Relief	1
B29	05056092	Ball-1/4inch	2
B30	05056503	Magnet Holder	1
B31	05010023	Magnet-3x2.7	1
B32	05056008	Bnt65 Knob	1
	05056111	Bnt65 Knob Label	1
B33	05056084	Screw-ST3.5x13	1

Rozložený pohľad na hrdlo ventilu BNT-1650

FILTER INJECTOR OPTION

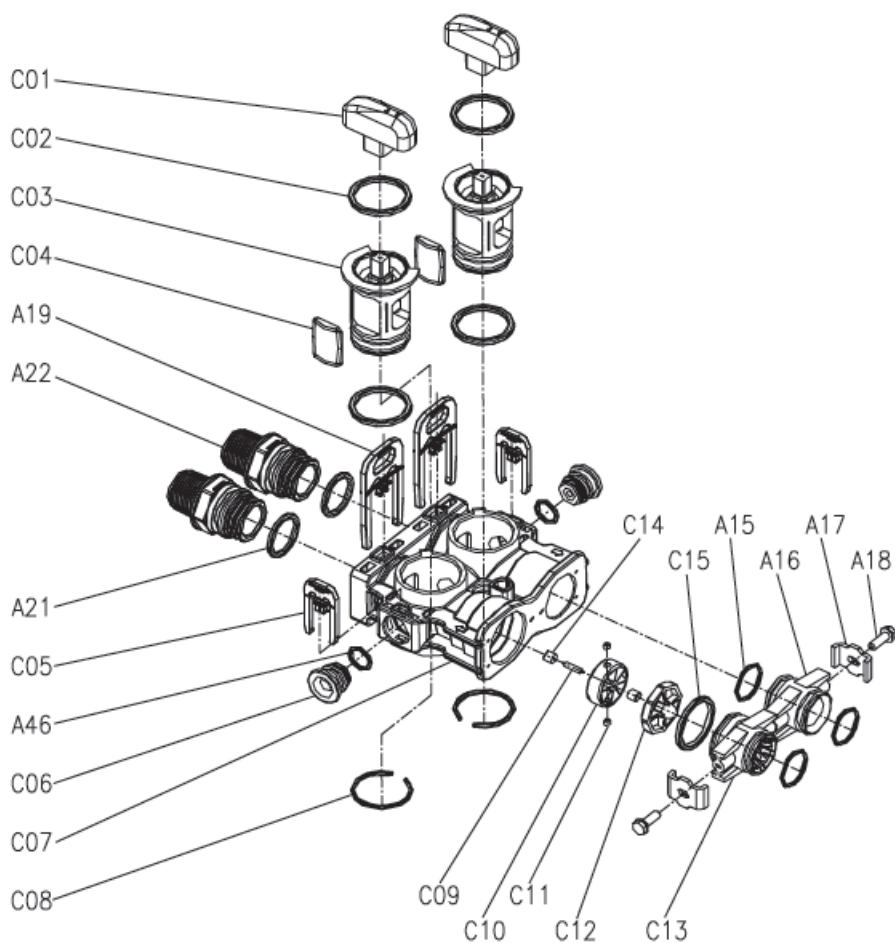


Zoznam náhradných dielov hrdla ventilu BNT-1650

Item No.	Part. No.	Part Description	Quantity
A01	05056087	Screw-M5x12 (Hexagon)	3
A02	05056088	Screw-M5x16 (Hexagon with Washer)	2
A03	05056047	End Plug Retainer	1
A04	05010081	Bnt65 Piston Rod	1
A05	05056097	Piston Pin	1
A06	05056023	End Plug	1
A07	05056070	Quad Ring	2
A08	05056024	End Plug Washer	1
A09	05056022	Piston Retainer	1
A10	05056181	Piston (Electrical)	1
A11	05056104	Muffler	1
A12	05056021	Spacer	4
A13	05056073	Seal	5
A14	05056019	Bnt65 Valve Body	1
A15	05056063	O-Ring-q78.74x5.33	1
A16	05056129	O-Ring q23x3	4
A17	05056025	Adaptor Coupling	2
A18	05056044	Adaptor Clip	2
A19	05056090	Screw ST4.2x13 (Hexagon with Washer)	2
A20	21709003	Secune Clip	2
A21	05056140	Valve Connector	1
A22	05056065	O-Ring q23.6x2.65	2
A23	21319006	Screw Adaptor	2
A24	26010103	O-Ring q25x3.55	1
A25	07060007	Valve Bottom Connector	1
A26	13000426	Screw ST2.9x13 (Large Wafer)	2
A27	05010082	Drain Fitting-B	1
A28	05056134	O-Ring 12x2	2
A29	05056172	Sesune Clip S	1
A30	05056186	DLFC-2#	1
A31	05056035	BL F C Button Retainer	1
A32	05056191	BL F C-2#	1
A33	05056138	O-Ring 14x1.8	1
A34	05056100B	BL F C Fitting	1
A35	05056106	Brine Line Screen	1
A36	05056107	BL F C Tube Insert	1
A37	05056033	BL F C Femule	1
A38	05056108	BL F C Fitting Nut	1
A39	05056066	Screw-M6x30 (Hexagon with Washer)	2
A40	05056029	Injector Cover	1
A41	05056072	O-Ring q24x2	1
A42	05056103	Injector Screen	1
A43	05056027	Injector Nozzle	1
A44	05056028	Injector Throat	1
A45	05056177	Injector Body-B	1
A46	05056075	Injector Seat	1
A47	05056054	Injector Spacer	1

A49	05056081	O-Ring 12.5x1.8	1
A50	05056030	Injector Cap	1
A51	05056093	Injector Screen	1
A52	05010049	Special Washer	1
A53	05056105	Retaining Ring	1
A54	05056067	O-Ring 7.8x1.9	2
A55	05056037	Air Dispenser	1
A56	05056066	O-Ring 11x2	1
A57	05056165	Injector Body (Filter)	1

Rozložený pohľad na obtokový ventil



Zoznam náhradných dielov obtového ventilu BNT-1650

Item No	Part No.	Part Description	Quantity
C01	05056147	Bypass Knob	2
C02	26010028	O-Ring 28x2.65	4
C03	05056148	Bypass Plug	2
C04	05056149	Bypass Seal	2
A20	21709003	Secure Clip	2
A23	21319006	ScREW Adaptor	2
A22	05056065	O-Ring 23.6x2.65	2
C05	05056172	Secure Clip S	2
A48	05056134	O-Ring 12x2	1
C06	05056146	Bulkhead	2
C07	05056145	Bypass Body	1
C08	05056150	Collar 32x2.5	2
C09	05010079	Impeller Pin	1
C10	05010014	Impeller	1
C11	05010078	Magnet 4x3	2
C12	05010077	Impeller Holder	1
C13	05010083	Adaptor Distributor	1
C14	05010019	Pin Holder	2
C15	26010046	O-Ring 27x3	1
A16	05056129	O-Ring 23x3	3
A17	05056025	Adaptor Coupling	1
A18	05056044	Adaptor Clip	2
A19	05056090	Screw-ST4.2x13 (Hexagon with Washer)	2

Technické špecifikácie

Prevádzkový tlak:	2,0 bar až 6,0 bar
Teplota okolia:	+5 °C až +40 °C
Pripojenie systému:	Vstup: 230 V / 50 Hz -- Výstup: 25 V / 50 Hz
Závit do tlakovej nádoby:	2.5" NPSM
Veľkosť pripojenia vstup/výstup:	3/4"

Návod k obsluze

Průvodce programováním

Množstvím řízená časově zpožděná regenerace
200 g solení > stejnosměrný proud<
R2D2- 32/ 48 / 72



Změkčovač vody R2D2
Kapacita 32 / 48/ 72
s regulačním ventilem BNT 1650

Obsah

Důležité pokyny	176
Bezpečnostní pokyny	176
Oblasti použití	177
Regenerační sůl	178
Upozornění na nebezpečí	178
Údržba/servis	178
Skladování a přeprava	178
Instalace	179
Uvedení do provozu	180
Úprava nastavení na regulačním ventilu	181
Programování regulačního ventilu	184
Výpočet změkčovací kapacity	187
Nastavení míchání	188
Rozměry regulačního ventilu	190
Rozložený pohled na ovládací hlavu s čísly dílů	191
Rozložený pohled na hrdlo ventilu s čísly dílů	193
Rozložený pohled na obtokový ventil s čísly dílů	195

1. Důležité pokyny

Před instalací a používáním systému si kompletně přečtěte tento návod k obsluze. Je nezbytné dodržovat a řídit se bezpečnostními pokyny.

Změkčovač jsme z velké části předprogramovali.

Zkontrolujte tvrdost vody a v případě potřeby upravte přednastavenou hodnotu. Nesprávně nastavená hodnota může způsobit poruchy! Systém má standardní 3letou tovární záruku. Tato záruka je platná pouze při použití systému v souladu se všemi předpisy.

2. Bezpečnostní pokyny

Změkčovač vody musí být instalován na místě chráněném před mrazem a vlhkostí. Nesmí se instalovat venku.

Montáž a instalaci smí provádět pouze vyškolení odborní pracovníci. Práce na vodovodní instalaci smí provádět pouze autorizované montážní firmy. Je nutné přísně dodržovat místní předpisy.

Bezpodmínečně dodržujte pokyny v návodu k instalaci!

Tento změkčovač je určen pouze pro provoz v sektoru pitné vody. Nesmí být překročeny limitní hodnoty vyhlášky o pitné vodě (TVO), zejména pro železo (Fe 0,2 mg/l) a mangan (Mn 0,05 mg/l).

Použití v rozporu s určením je zakázáno. Před změkčovačem musí být nainstalován vodní filtr, který jej chrání před nečistotami a zanášením.

Doporučuje se také použití ochranného filtru za systémem, protože mechanické poškození nebo vady materiálu by mohlo vést k vyplavení iontoměničové pryskyřice.

Přípustný tlak vody je 2,0 – 6,0 barů. Pokud je stávající tlak vody nad limitní hodnotou, je nutné použít redukční ventil.

Aby se předešlo škodám způsobeným vodou, měla by být v blízkosti instalačního místa k dispozici otevřená odtoková trubka. Pokud to není možné, nainstalujte nádrž pro ochranu proti zpětnému toku před odtokem.

Instalační místo musí být rovné, suché a bez zdrojů tepla, při teplotě mezi +5 °C a +40 °C. Zajistěte, aby zařízení bylo stabilní a nemohlo převrhnout.

V systémech s mědí a zinkem může velmi měkká voda způsobit korozi. U tvrdosti vody nad 15 °dH se doporučuje udržovat zbytkovou tvrdost mezi 3–5 °dH. Aqmos změkčovač vody standardně změkčuje vodu na 0 °dH, ale toto lze snadno upravit pomocí směšovacího šroubu.

Zkontrolujte, zda je na přívodu vody podle národních předpisů vyžadováno zařízení proti zpětnému toku. V případě pochybností kontaktujte svého dodavatele vody.

3. Oblasti použití

Oblast použití: Pitná voda

Účel použití: Snížení tvrdosti vody (vápník/hořčík)

Připojení systému: Vstup: 230 V / 50 Hz Výstup: 24 V / 50 Hz

Okolní teplota: min. +5 °C / max. +40 °C

Teplota vody: min. +5 °C / max. +30 °C

Provozní tlak: min. 2 bary / max. 6 barů

Vlhkost vzduchu: max. 60 %

Sůl: podle DIN 19604, DIN EN 973 typ A

Ochrana proti stříkající vodě: Ne

Interferenční ionty: chlór, železo, mangan

4. Regenerační sůl

Systém lze používat pouze se solnými tabletami vyrobenými z vysoce čisté odpařené soli (NaCl) v souladu s DIN 10604 DIN EN 973 Typ A. (stupeň čistoty)

Použití jiných solí (posypová sůl, drcená sůl) může vést ke kontaminaci systému a ke značným škodám. Používejte výhradně regenerační sůl.

5. Upozornění na nebezpečí

Nebezpečí zasažení elektrickou energií – nebezpečí úrazu elektrickým proudem!

Před prací na systému vždy vytáhněte síťovou zástrčku!

Pokud je poškozena izolace kabelu nebo elektrické součásti, musí být okamžitě vyměněny.

Nebezpečí způsobené tlakem vody!

Před prací na systému vždy odtlakujte a vypněte vodu na montážním bloku. K tomuto účelu nejprve zavřete vnější ventily a poté otevřete střední obtokový ventil. Pokud není k dispozici montážní blok, zavřete hlavní ventil a uvolněte tlak prostřednictvím odběrného místa umístěného co nejnižší v rozvodné síti vody.

Nebezpečí způsobené kontaminací!

Přizpůsobte systém skutečné spotřebě vody, aby byl zajištěn dostatečný průtok. Pokud se systém delší dobu nepoužívá, musí být odbornou firmou řádně odstaven. Nikdy nedeaktivujte nucenou regeneraci.

6. Údržba/Servis

Systém by měl podléhat pravidelné kontrole ze strany provozovatele, aby byla zajištěna jeho správná funkce. Pro zajištění technicky bezchybné funkce se – na základě DIN 1988 část 8 – doporučuje každoroční údržba specializovanou firmou.

Závady nebo poruchy musí být okamžitě odstraněny.

Provozovatel musí zajistit, aby v systému bylo vždy dostatečné množství soli pro zajištění jeho bezchybné funkce.

7. Skladování a přeprava

Systém lze přepravovat pouze v originálním obalu. Skladování musí být chráněné před mrazem, mimo blízkost silných zdrojů tepla a musí probíhat pouze ve vzpřímené poloze. Věnujte pozornost směru umístění uvedenému na vnějším obalu.

8. Instalace

Instalace systému musí odpovídat platným normám a předpisům.

Připojení montážního bloku

Před zahájením práce zavřete hlavní šoupátko.

Poté otevřete odběrné místo za ním a uvolněte zbytkový tlak vody.

Montážní blok se instaluje do instalačního vedení za vodoměr, vodní filtr a případně redukční ventil.

Při použití montážního bloku dávejte pozor na směr proudění (šipka na montážním bloku).

Vložte zkušební kohout (vpředu) a zátku (vzadu) podle směru proudění.

Zavřete dva vnější ventily montážního bloku. Následně otevřete střední obtokový ventil. Poté lze hlavní šoupátko znovu otevřít. Voda nyní protéká obtokem montážního bloku. Zkontrolujte těsnost.

Přípojka odpadní vody

V blízkosti místa instalace musí být přípojka odpadní vody. Hadici na odpadní vodu můžete položit maximálně do výšky 120 cm od přípojky odpadní vody systému. Délka by měla být maximálně 6 metrů a mít minimální spád.

Připojte hadici na odpadní vodu (průměr 12 mm) k odtokovému hrdlu (na zadní straně ovládací hlavy) regulačního ventilu. Připojení zajistěte hadicovou svorkou.

Připojte přepadovou hadici k přepadu skříň kabinetu (na zadní straně zásobníku soli).

Konce hadic vedte k přípojce potrubí (obojí samostatně, nepřipojujte tvarovkou T. Nebezpečí zpětného toku!). Použijte otevřený výstup a/nebo zamezovač zpětného toku (nebezpečí zpětného toku). Hadice dostatečně upevněte (nebezpečí vyklouznutí v důsledku tlakových rázů).

Připojení změkčovače

Vyrovnejte systém do požadované polohy na úrovni země. Ujistěte se, že je podlaha rovná a čistá. Nečistoty nebo kameny mohou poškodit skříň kabinetu.

Spojte přípojky regulačního ventilu (3/4" vnější závit) s přípojkami montážního bloku (1" vnější závit) pomocí flexibilních pancéřových hadic. K tomu použijte 3/4" plochá těsnění. Nezapomeňte věnovat pozornost vstupu a výstupu (šipky) přípojek na systému a montážním bloku (nebezpečí záměny!).

Otevřete červené uzavírací ventily na regulačním ventilu (musí být vzájemně rovnoběžné).

Zkontrolujte pevné usazení všech spojů.

Skříň kabinetu zatím neplňte solí!

Otevřete oba vnější ventily montážního bloku, teprve potom zavřete střední obtokový ventil. Voda je nyní přiváděna přes změkčovač.

Zkontrolujte těsnost všech spojů.

9. Uvedení do provozu

- Do skříně kabinetu naplňte cca 15 litrů (do výšky cca 25 cm). Po první regeneraci je optimální hladina vody v zásobníku soli.
- Zkontrolujte pevné usazení vedení solanky (průměr 3/8") mezi regulačním ventilem a plovákovým ventilem.
- Připojte regulační ventil k elektrické síti. LCD displej bliká a zobrazuje čas a zbývající kapacitu.
- Nyní proveďte ruční regeneraci. K tomuto účelu otočte velkým knoflíkem na regulačním ventilu ve směru hodinových ručiček z polohy „SERV.“ do polohy „BA. WA.“. Na displeji se zobrazí

BACKWASH

Systém nyní provede manuální regeneraci.

Nyní začíná zpětné proplachování (Backwash).
Zbývající čas se zobrazuje ve spodním řádku displeje.

Po uplynutí zbývající doby se knoflík otočí do polohy „BRINE“ (solení).
Na displeji se zobrazí

BRINE

Systém nyní provádí solení změkčovací pryskyřice.

Po solení systém ještě provádí kroky „RINSE“ (propláchnutí) a „REFILL“ (naplnění nádrže solanky).
Ujistěte se, že systém nenasává vzduch přes hadici solanky, v případě potřeby zkontrolujte připojení hadice solanky.

Počkejte na konec ruční regenerace (cca 45 min.).

- Nyní systém propláchl změkčovací pryskyřici a načerpal správné množství vody do nádrže solanky .
- Nyní naplňte solné tablety do nádrže solanky, dokud nebude zcela plná. Trvá to asi 4–6 hodin, dokud se sůl nerozpustí ve vodě na maximální koncentraci a nevytvoří se solanka . Úroveň naplnění solných tablet přitom klesá. Nepřidávejte vodu navíc!
- Nyní lze provést nastavení na regulačním ventilu. (Systém je námi plně přednastaven.) Stačí jen nastavit čas a kapacitu

10 Úprava nastavení na regulačním ventilu

Regulační ventil je ovládán elektronikou, kterou snadno ovládat prostřednictvím LCD displeje. V normálním provozu se vám zobrazuje aktuální čas a zbývající kapacita do příští regenerace.

Kapacita se zobrazuje v T (tunách). Jedna tuna odpovídá 1000 litrům nebo 1 m³ vody.

Regulační ventil jsme již nastavili na režim "Objemový režim s nucenou regenerací" (meter override). Tvrdost vody, kterou je třeba odstranit, se musí upravit na vaši stávající tvrdost. Provozní režim by se neměl měnit, aby nedošlo ke kontaminaci.

Všechny níže uvedené hodnoty jsou již přednastaveny!

Parametr	Možnosti	Popis
1	JAZYK	<p>ANGLICKY atd.</p> <p>Vyberte jazyk nabídky (angličtina, španělština, turečtina, polština, francouzština, ruština)</p>
2	KRAJ	<p>METRICKÝ</p> <p>Výběr jednotky</p>
	US	Galony (US) nebo tuny (1 tuna = 1000 l)
3	REGENERAČNÍ REŽIM	<p>KALENDÁŘ HODINY</p> <p>V tomto režimu se systém regeneruje po pevně naprogramovaném počtu dní v pevně stanovený čas. Množství vody spotřebované během období se <u>nebere</u> v úvahu.</p> <p>Zkratka na displeji: CC (Calendar Clock)</p>
	METER IMMEDIATE	<p>V tomto režimu se systém regeneruje po dosažení pevně naprogramovaného množství objemu vody. Po dosažení stanoveného objemu <u>okamžitě</u> probíhá regenerace.</p> <p>Zkratka na displeji: MI (Meter Immediate)</p>
	METER ZPOŽDĚNÍ	<p>V tomto režimu se systém regeneruje po dosažení pevně naprogramovaného množství objemu vody. Po dosažení zadaného objemu proběhne regenerace v určitou dobu (<u>zpožděna</u>).</p> <p>Zkratka na displeji: MD (Meter Delay)</p>

		<p style="text-align: center;"><u>METER</u></p> <p style="text-align: center;"><u>OVERRIDE</u></p>	<p>V tomto režimu se systém regeneruje po dosažení pevně naprogramovaného množství objemu vody.</p> <p>Po dosažení zadaného objemu proběhne regenerace v určitou dobu (zpožděna).</p> <p>Vynucená regenerace se navíc spustí po zadaném počtu dní bez ohledu na spotřebovaný objem. Tím se zabrání kontaminaci systému, když se voda nespotebovává (např. během dovolené).</p> <p>Zkratka na displeji: MO (Meter Override)</p>
4	TIME		Zde nastavte čas.
5	REG. TIME (REGENERATION DAYS)	2:00	Zadejte čas, kdy se má systém regenerovat. Doporučujeme 2:00 ráno, protože voda se v tuto dobu spotřebovává jen zřídka.
6	REG. DAYS (REGENERATION DAYS)	7	Zadejte počet dní, po které se má systém regenerovat (pouze v režimu „Calendar Clock“ a „Meter Override“).
7	REG. CAP.	R2D2-32 = 1,45 t R2D2-48 = 2,10 t R2D2-72 = 3,20 t	Zde je uvedena změkčovací kapacita. Kapacita se vypočítá ze stávající tvrdosti vody a množství změkčovací pryskyřice, včetně požadovaného míchání na regulačním ventilu.
8	BACKWASH (zpětné proplachování)	R2D2-32 = 1 minuty R2D2-48 = 1 minuty R2D2-72 = 1 minuty	Doba trvání zpětného proplachování změkčovací pryskyřice v minutách. Zpětné proplachování vyčistí pryskyřici. Tuto hodnotu <u>neměnit.</u>
9	BRINE (solení)	R2D2-32 = 28 minuty R2D2-48 = 35 minuty R2D2-72 = 40 minuty	Délka solení změkčovače v minutách. Solením solankou se pryskyřice regeneruje a znovu získává původní změkčovací kapacitu. Tuto hodnotu <u>neměnit.</u>
10	RINSE (propláchnout)	R2D2-32 = 2 min R2D2-48 = 2 min R2D2-72 = 3 min	Délka proplachování změkčovací pryskyřice v minutách. Konečným propláchnutím se vypláchnou poslední zbytky solanky a případné nečistoty v pryskyřičném loži. Tuto hodnotu <u>neměnit.</u>

11	REFILL (naplňte nádrž solanky)	R2D2-32 = 3,2 min R2D2-48 = 4,8 min R2D2-72 = 7,2 min	Doba plnění nádrže solanky v minutách. Naplněním se nádrž solanky se opět naplní vodou, aby se před dalším procesem regenerace mohla vytvořit nová solanka. Tuto hodnotu <u>neměnit</u>.
12	LOAD DEFAULT (reset na tovární nastavení)		Resetuje všechna nastavení na nulu. Systém je již naprogramován na německé hodnoty. Pokud provedete reset, budou také přepsány. Tuto funkci <u>neaktivujte</u>.

Režim „Objemový režim s nucenou regenerací“ doporučený pro evropské uživatele (Meter Override) již byl přednastaven a neměl by se měnit.

Pro správný provoz v tomto režimu je třeba provést pouze několik nastavení.

Nastavení času

Tím proběhne regenerace v požadovaný čas (přednastavení: 2:00 hod).

Nastavení dnů do provedení nucené regenerace

Z hygienických důvodů jsme nucenou regeneraci přednastavili na 7 dní. (Lze také zvýšit na 10 dní pro efektivnější provoz).

Nastavení změkčovací kapacity

V závislosti na velikosti systému (množství změkčovací pryskyřice) a tvrdosti vody je třeba vypočítat a zadat kapacitu. **Viz kapitola 12**

Kontrola všech parametrů

Zkontrolujte, zda všechny parametry odpovídají velikosti systému.

11. Programování regulačního ventilu v režimu „Objemový režim s nucenou regenerací“ (přepsání měřiče)

K uvolnění zámku tlačítek (unlock screen) stiskněte tlačítka „☐“ na 3 sekundy.
Pro vstup do nabídky stiskněte tlačítka „☐“.

Objeví se „LANGUAGE“.
Stiskněte tlačítka „■“. Displej se rozblíká.
Pomocí tlačítek „▲“ a „▼“ vyberte režim „ENGLISH“.
Toto zadání uložte tlačítkem „■“.

Stisknutím tlačítka „▼“ přejdete k dalšímu bodu.

Zobrazí se „REGION METRIC“ nebo „REGION US“.
Stiskněte tlačítka „■“. Displej se rozblíká.
Pomocí tlačítek „▲“ a „▼“ vyberte režim „REGION METRIC“.
Toto zadání uložte tlačítkem „■“.

Stisknutím tlačítka „▼“ přejdete k dalšímu bodu.

Zobrazí se vám jeden z následujících režimů: „METER DELAY“, „METER OVERRIDE“, „METER IMMEDIAT“, „CALENDAR CLOCK“.
Stiskněte tlačítka „■“. Displej se rozblíká.
Pomocí tlačítek „▲“ a „▼“ vyberte režim „METER OVERRIDE“.
Zadání uložte tlačítkem „■“.

Stisknutím tlačítka „▼“ přejdete k dalšímu bodu.

Zobrazí se vám: „TIME“ (aktuální čas).
Stiskněte tlačítka „■“. Displej se rozblíká.
Pomocí tlačítek „▲“ a „▼“ vyberte hodinu.
Zadání uložte tlačítkem „■“.

Nyní bliká nastavení pro minutu.
Pomocí tlačítek „▲“ a „▼“ vyberte minutu.
Toto zadání uložte tlačítkem „■“.

Stisknutím tlačítka „▼“ přejdete k dalšímu bodu.

Zobrazí se vám: „REG. TIME“.
Stiskněte tlačítka „■“. Displej se rozblíká.
Pomocí tlačítek „▲“ a „▼“ vyberte hodinu.

(Doporučujeme „2“)

Toto zadání uložte tlačítkem „■“.

Nyní bliká nastavení pro minuty

Pomocí tlačítek „▲“ a „▼“ vyberte minuty.

(Doporučujeme „0“)

Toto zadání uložte tlačítkem „■“.

Stisknutím tlačítka „▼“ přejdete k dalšímu bodu.

Zobrazí se vám: „REG. DAYS“.

Stiskněte tlačítko „■“. Displej se rozbliká.

Pomocí tlačítek „▲“ a „▼“ vyberte dny.

(Doporučujeme „07“)

Toto zadání uložte tlačítkem „■“.

Stisknutím tlačítka „▼“ přejdete k dalšímu bodu.

Zobrazí se „REG. CAP.“.

Stiskněte tlačítko „■“. Displej se rozbliká.

Pomocí tlačítek „▲“ a „▼“ vyberte kapacitu v tunách (= 1000 litrů).

Zde zadejte hodnotu objemu z tabulky na straně 187 .

Toto zadání uložte tlačítkem „■“.

Nyní bliká nastavení kapacity v litrech.

Pomocí tlačítek „▲“ a „▼“ vyberte kapacitu v litrech.

Zde zadejte desetinnou hodnotu z tabulky na straně 187 .

Toto zadání uložte tlačítkem „■“.

Stisknutím tlačítka „▼“ přejdete k dalšímu bodu.

Zobrazí se vám: „BACKWASH“.

Stiskněte tlačítko „■“. Displej se rozbliká.

Pomocí tlačítek „▲“ a „▼“ vyberte vhodný čas v minutách pro váš systém:

R2D2-32: 01 min.

R2D2-48: 01 min.

R2D2-72: 01 min.

Toto zadání uložte tlačítkem „■“.

Stisknutím tlačítka „▼“ přejdete k dalšímu bodu.

Zobrazí se vám: „BRINE“.

Stiskněte tlačítko „■“. Displej se rozbliká.

Pomocí tlačítek „▲“ a „▼“ vyberte vhodný čas v minutách pro váš systém:

R2D2-32: 28 min.

R2D2-48: 35 min.

R2D2-72: 40 min.

Toto zadání uložte tlačítkem „■“.

Zobrazí se vám: „RINSE“.

Stiskněte tlačítko „■“. Displej se rozblíká.

Pomocí tlačítek „▲“ a „▼“ vyberte vhodný čas v minutách pro váš systém:

R2D2-32: 02 min.

R2D2-48: 02 min.

R2D2-72: 03 min.

Toto zadání uložte tlačítkem „■“.

Stisknutím tlačítka „▼“ přejdete k dalšímu bodu.

Zobrazí se vám: „REFILL“.

Stiskněte tlačítko „■“. Displej se rozblíká.

Pomocí tlačítek „▲“ a „▼“ vyberte vhodný čas v minutách pro váš systém:

R2D2-32: 03.2 min.

R2D2-48: 04.8 min.

R2D2-72: 07.2 min.

Toto zadání uložte tlačítkem „■“.

Pro opuštění programování stiskněte tlačítko „□“.

Váš změkčovač vody je nyní plně naprogramován a připraven k použití.

12. Výpočet změkčovací kapacity

V závislosti na množství použité změkčovací pryskyřice může změkčovač změkčit různá množství vody.

Tvrdość surové vody má také významný vliv na kapacitu systému.

Obě hodnoty musí být známy a uloženy v regulačním ventilu, aby bylo zajištěno, že systém funguje co nejúčinněji a správně.

Pro snadné stanovení tvrdosti surové vody použijte sadu pro měření celkové tvrdosti. Případně můžete tvrdost vody zjistit z informací od vaší vodárenské společnosti (např. na jejich webových stránkách).

V případě potřeby si také můžete hodnoty vypočítat sami uvedené v tabulce níže:

Příklad.:

32: 20°dH = 1200 litrů měkké vody

48: 20°dH = 1800 litrů měkké vody

72: 10°dH = 5400 litrů měkké vody

		R2D2-32	R2D2-48	R2D2-72
°dH	°fH			
5	9	4,80 T	7,20 T	10,80 T
6	11	4,00 T	6,00 T	9,00 T
7	12	3,40 T	5,10 T	7,70 T
7,5	13	3,20 T	4,80 T	7,20 T
8	14	3,00 T	4,50 T	6,70 T
9	16	2,60 T	4,00 T	6,00 T
10	18	2,40 T	3,60 T	5,40 T
11	20	2,10 T	3,20 T	4,90 T
12	21	2,00 T	3,00 T	4,50 T
13	23	1,80 T	2,70 T	4,10 T
14	25	1,70 T	2,50 T	3,80 T
15	27	1,60 T	2,40 T	3,60 T
16	29	1,50 T	2,20 T	3,30 T
17	30	1,40 T	2,10 T	3,10 T
18	32	1,30 T	2,00 T	3,00 T
19	34	1,20 T	1,90 T	2,80 T
20	36	1,20 T	1,80 T	2,70 T
21	37	1,10 T	1,70 T	2,50 T
22	39	1,00 T	1,60 T	2,40 T
23	41	1,00 T	1,50 T	2,30 T
24	43	1,00 T	1,50 T	2,20 T
25	45	0,90 T	1,40 T	2,10 T
26	46	0,90 T	1,30 T	2,00 T
27	48	0,80 T	1,30 T	2,00 T
28	50	0,80 T	1,20 T	1,90 T
29	52	0,80 T	1,20 T	1,80 T
30	54	0,80 T	1,20 T	1,80 T

13. Nastavení míchání

Zařízení změkčuje surovou vodu na 0 °dH.

Doporučujeme dodržovat pokyny výrobců zařízení, jako jsou ohřívače vody. Pokud je uvedena konkrétní tvrdost vody, může být nutné smíchat změkčenou vodu se surovou vodou na doporučenou tvrdost.

Možnost 1 - integrovaný směšovací ventil na ovládací hlavě

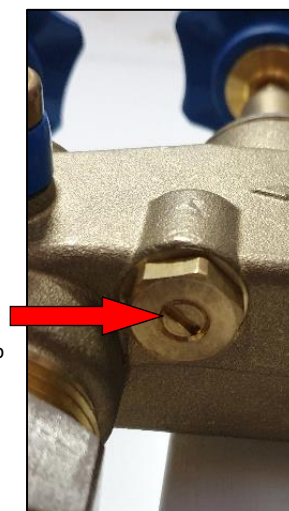


Otáčením stavěcího šroubu měníte míchání se surovou vodou.

Otáčení po směru hodinových ručiček: Tvrdost vody se zvyšuje.

Otáčení proti směru hodinových ručiček: Tvrdost vody se snižuje.

Možnost 2 – šroub s drážkou na montážním bloku



Šroub s drážkou pro nastavení zbytkové tvrdosti

Otáčením šroubu s drážkou také měníte míchání se surovou vodou.

Otáčení proti směru hodinových ručiček: Tvrdost vody se zvyšuje.

Otáčení po směru hodinových ručiček: Tvrdost vody se snižuje.

Doporučujeme míchání přes montážní blok.

Výsledek je přesnější. Montážní blok je navíc vyroben z mosazi a je tedy robustnější.

Zkontrolujte tvrdost vody na odběrném místě (odběrový kohout na montážním bloku) v blízkosti systému pomocí sady pro měření tvrdosti vody (titrační roztok).

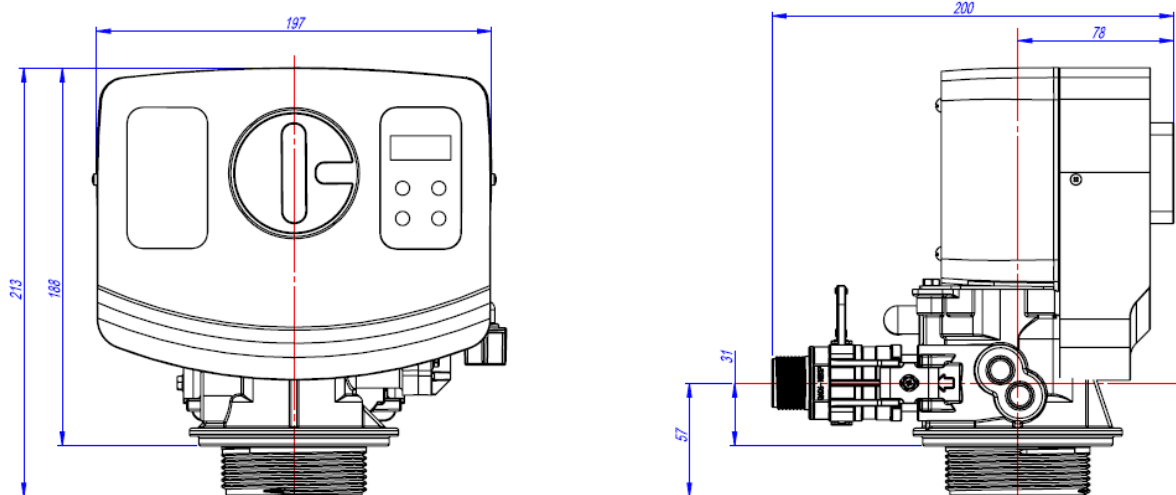
Nechte vodu nepřetržitě protékat odběrným místem. Tvrdost vody měřte pouze studenou vodou (teplá voda je přiváděna přes ohřívač a je postupně měkčí).

V závislosti na vzdálenosti k odběrnému místu může trvat déle, než bude možné změřit nově namíchanou tvrdost vody. (Proto měřte přímo na odběrovém kohoutu na montážním bloku)

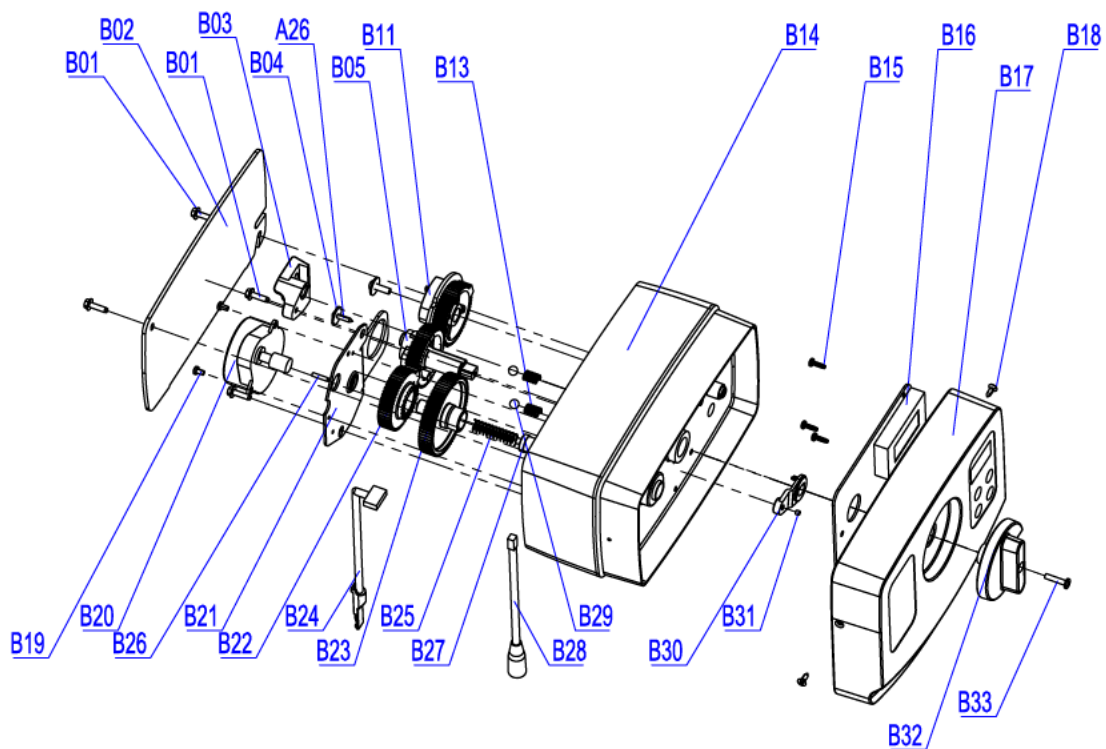
Nejlépe nechte protékat nejbližší vodovodní kohoutek na polovinu a upravte tvrdost vody.

14 Výkresy

Rozměry regulačního ventilu



Rozložený pohled na ovládací hlavu BNT1650

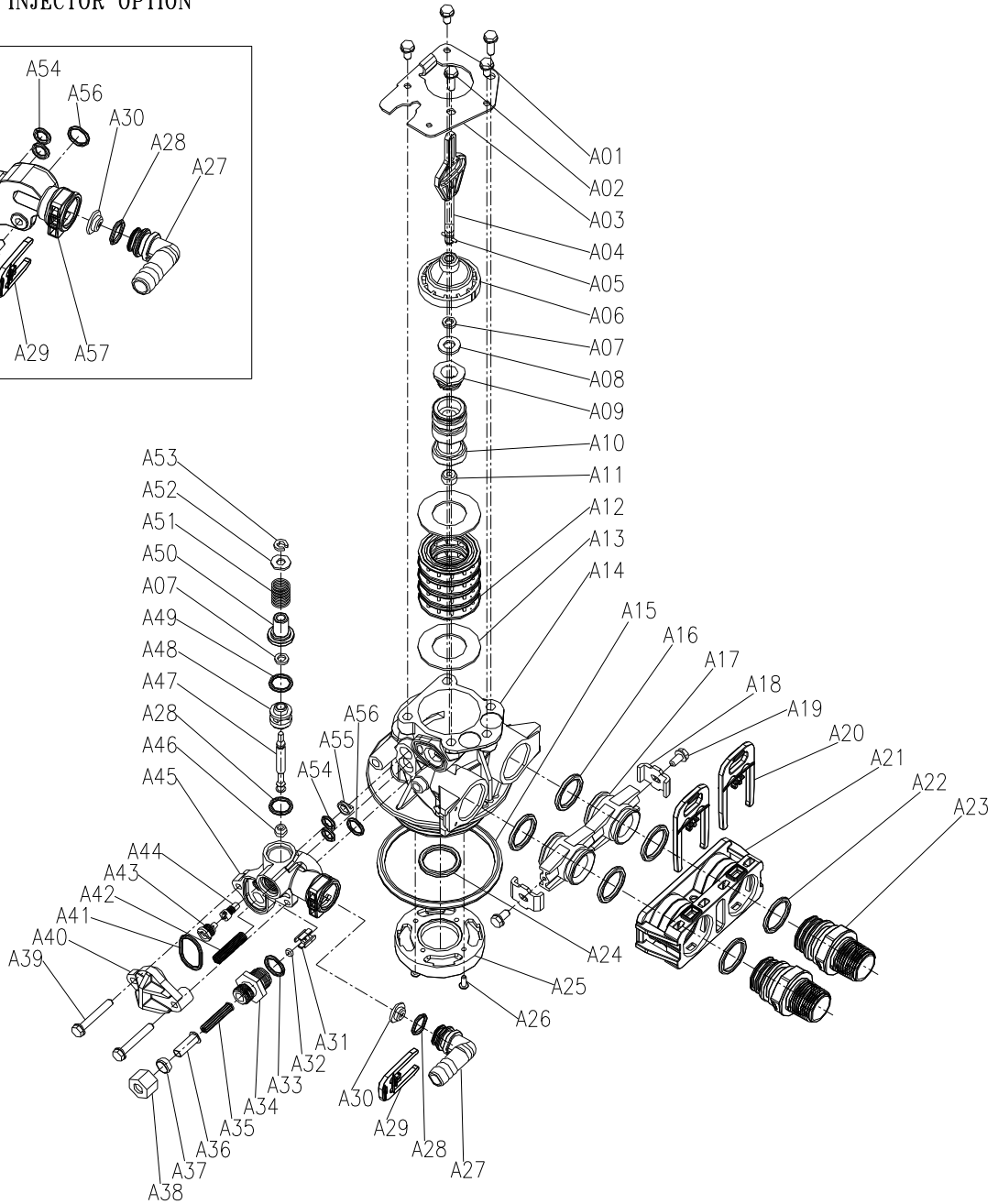
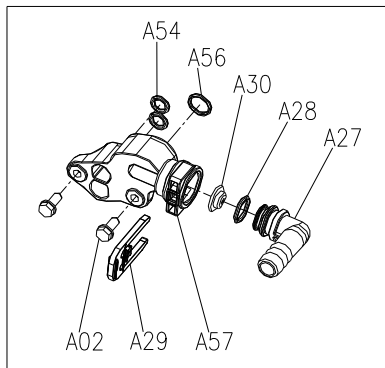


Seznam náhradních dílů BNT-1650

	Part No.	Part Description	Quantity
B01	05056136	Screw-ST3.5x13 (Hexagon with Washer)	4
B02	05056014	Bnt65 Back Cover	1
B03	05010045	Piston Stem Holder	1
A26	13000426	Screw-ST2.9x13 (Large Water)	1
B04	05056139	Washer-3x13	1
B05	05056005	Main Gear	1
B06	05056083	Screw-M4x14	1
B07	05056166	Screw-ST4.2x12 (Large Water)	1
B08	05056141	Washer-4x12	1
B09	13111004	Washer-4x9	1
B10	05056016	Refill Regulator	1
B11	05056015	Brine Gear	1
B12	05056089	Nut-M4	1
B13	05056095	Spring Detent	2
B14	05056001	Bnt65 Housing	1
B15	05010037	Srew-ST2.9x10	5
B16	05056504	Bnt165 Pcb	1
B17	05056500	Bnt165 Front Cover	1
	05056505	Bnt165 Operation Label	1
	05056506	Bnt165 Regen. štítky	1
	3010019582	Štítek s QR kódem	1
B18	05056509	Screw-ST2.9x10 (CSK)	2
B19	05056082	Screw-M3x5	2
B20	05056510	Motor-12v/2rpm	1
	11700005	Wire Connector	2
B21	05056045	Motor Mounting Plate	1
B22	05056501	Bnt165 Drive Gear	1
A04	05010081	Pístnice Bnt65	1
B23	05056002	Idler Gear	1
B24	05010031	Meter Assembly	1
	05010046	Meter Strain Relief	1
B25	05056094	Spring Idler	1
B26	05056098	Motor Pin	1
B27	05056502	Spring Retainer	1
B28	05056507	Bnt165 Power Cable	1
	05056013	Bnt65 Power Strain Relief	1
B29	05056092	Ball-1/4inch	2
B30	05056503	Magnet Holder	1
B31	05010023	Magnet-3x2.7	1
B32	05056008	Bnt65 Knob	1
	05056111	Bnt65 Knob Label	1
B33	05056084	Screw-ST3.5x13	1

Rozložený pohled na hrdlo ventilu BNT-1650

FILTER INJECTOR OPTION

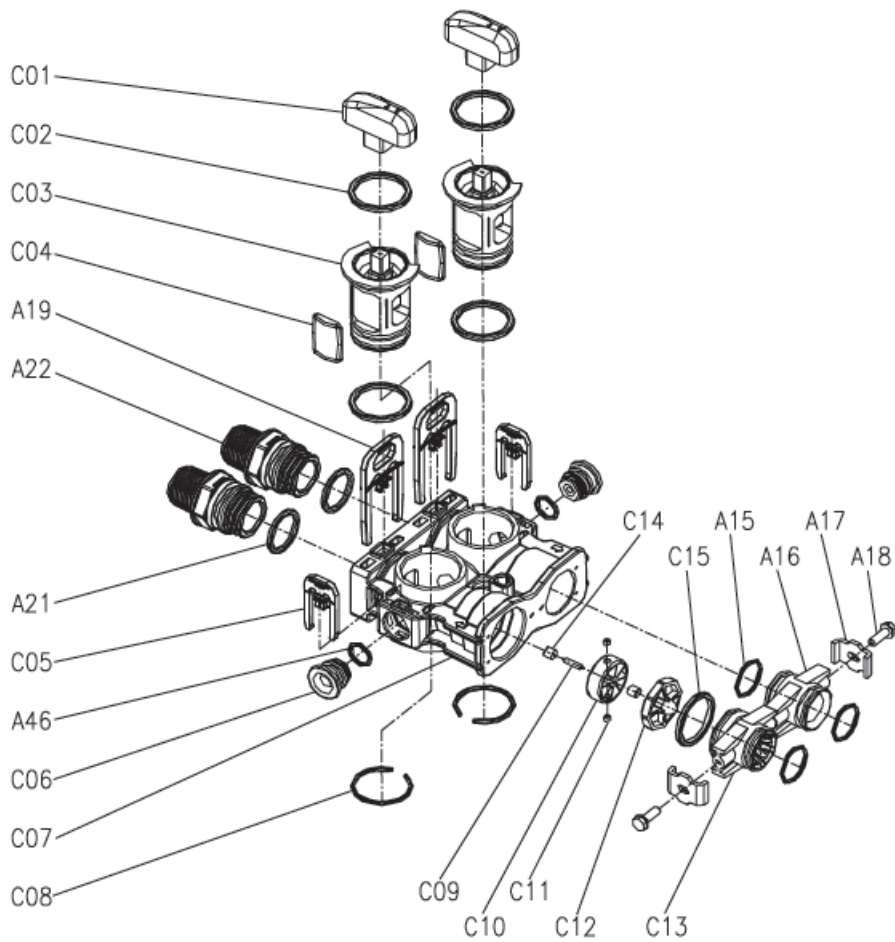


Seznam náhradních dílů Hrdlo ventilu BNT-1650

Item No.	Part. No.	Part Description	Quantity
A01	05056087	Screw-M5x12 (Hexagon)	3
A02	05056088	Screw-M5x16 (Hexagon with Washer)	2
A03	05056047	End Plug Retainer	1
A04	05010081	Pístnice Bnt65	1
A05	05056097	Piston Pin	1
A06	05056023	End Plug	1
A07	05056070	Quad Ring	2
A08	05056024	End Plug Washer	1
A09	05056022	Piston Retainer	1
A10	05056181	Piston (Electrical)	1
A11	05056104	Muffler	1
A12	05056021	Spacer	4
A13	05056073	Seal	5
A14	05056019	Bnt65 Valve Body	1
A15	05056063	O-Ring-q78.74x5.33	1
A16	05056129	O-Ring q23x3	4
A17	05056025	Adaptor Coupling	2
A18	05056044	Adaptor Clip	2
A19	05056090	Screw ST4.2x13 (Hexagon with Washer)	2
A20	21709003	Secune Clip	2
A21	05056140	Valve Connector	1
A22	05056065	O-Ring q23.6x2.65	2
A23	21319006	Screw Adaptor	2
A24	26010103	O-Ring q25x3.55	1
A25	07060007	Valve Bottom Connector	1
A26	13000426	Screw ST2.9x13 (Large Wafer)	2
A27	05010082	Drain Fitting-B	1
A28	05056134	O kroužek 12x2	2
A29	05056172	Sesune Clip S	1
A30	05056186	DLFC-2#	1
A31	05056035	BL F C Button Retainer	1
A32	05056191	BL F C-2#	1
A33	05056138	O-Ring 14x1.8	1
A34	05056100B	BL F C Fitting	1
A35	05056106	Brine Line Screen	1
A36	05056107	BL F C Tube Insert	1
A37	05056033	BL F C Femule	1
A38	05056108	BL F C Fitting Nut	1
A39	05056066	Screw-M6x30 (Hexagon with Washer)	2
A40	05056029	Injector Cover	1
A41	05056072	O-Ring q24x2	1
A42	05056103	obrazovka vstřikovače	1
A43	05056027	Injector Nozzle	1
A44	05056028	Injector Throat	1
A45	05056177	Injector Body-B	1
A46	05056075	Injector Seat	1
A47	05056054	Injector Spacer	1

A49	05056081	O-Ring 12.5x1.8	1
A50	05056030	Injector Cap	1
A51	05056093	obrazovka vstřikovače	1
A52	05010049	Special Washer	1
A53	05056105	Retaining Ring	1
A54	05056067	O-Ring 7.8x1.9	2
A55	05056037	Air Disperser	1
A56	05056066	O-Ring 11x2	1
A57	05056165	Injector Body (Filter)	1

Rozložený pohled na obtokový ventil



Seznam náhradních dílů Obtokový ventil BNT-1650

Item No	Part No.	Part Description	Quantity
C01	05056147	Bypass Knob	2
C02	26010028	O-Ring 28x2.65	4
C03	05056148	Bypass Plug	2
C04	05056149	Bypass Seal	2
A20	21709003	Secure Clip	2
A23	21319006	ScREW Adaptor	2
A22	05056065	O-Ring 23.6x2.65	2
C05	05056172	Secure Clip S	2
A48	05056134	O kroužek 12x2	1
C06	05056146	Bulkhead	2
C07	05056145	Bypass Body	1
C08	05056150	Collar 32x2,5	2
C09	05010079	Impeller Pin	1
C10	05010014	Impeller	1
C11	05010078	Magnet 4x3	2
C12	05010077	Impeller Holder	1
C13	05010083	Adaptor Distributor	1
C14	05010019	Pin Holder	2
C15	26010046	O-Ring 27x3	1
A16	05056129	O-Ring 23x3	3
A17	05056025	Adaptor Coupling	1
A18	05056044	Adaptor Clip	2
A19	05056090	Screw-ST4.2x13 (Hexagon with Washer)	2

Technické specifikace

Provozní tlak:	2,0 bary až 6,0 barů
Teplota okolí:	+5 °C až +40 °C
Připojení systému:	Vstup: 230 V / 50 Hz -- Výstup: 25V/50Hz
Závit do tlakové nádoby:	2.5" NPSM
Velikost připojení vstup/výstup:	3/4"

Gebruiksaanwijzing

Programmeerhandleiding

Volume- en tijdgestuurde regeneratie
200 gr bezouting
R2D2- 32 / 48 / 72



Waterontharder
R2D2 32 / 48 / 72 met
regelventiel BNT 1650

Inhoudsopgave

Belangrijke instructies	197
Veiligheidsinstructies	197
Toepassingsgebieden	198
Regeneratiezout	199
Gevarenaanduidingen	199
Onderhoud / Service	199
Opslag en transport	199
Installatie	200
Inbedrijfstelling	201
Aanpassing van de instellingen op het regelventiel	202
Programmering van het regelventiel	205
Berekening van onthardingscapaciteit	208
Instelling van de vermenging	209
Afmetingen van het regelventiel	210
Explosietekening van regelkop met onderdeelnummers	211
Explosietekening van ventielhals met onderdeelnummers	213
Explosietekening van bypass-ventiel met onderdeelnummers	215

1. Belangrijke instructies

Lees deze gebruiksaanwijzing volledig door voordat u het apparaat installeert en gebruikt. De veiligheidsinstructies moeten worden opgevolgd en nageleefd.

We hebben de ontharder grotendeels al voorgeprogrammeerd. Controleer uw waterhardheid en corrigeer de vooraf ingestelde waarde indien nodig. Een onjuist ingestelde waarde kan leiden tot storingen! Het systeem heeft standaard 3 jaar fabrieksgarantie. Deze garantie geldt alleen wanneer het systeem volgens alle voorschriften in gebruik is genomen.

2. Veiligheidsinstructies

De waterontharder moet op een vorstvrije plaats geïnstalleerd worden, beschermd tegen vocht. Het mag niet buitenshuis worden geïnstalleerd.

De montage en installatie mogen alleen worden uitgevoerd door getraind vakpersoneel. Werkzaamheden aan de waterinstallatie mogen alleen worden uitgevoerd door erkende installatiebedrijven. De plaatselijke voorschriften moeten strikt worden nageleefd. Volg de instructies in de installatiehandleiding!

Deze waterontharder is alleen ontworpen voor gebruik in de drinkwatersector. De grenswaarden van de drinkwaterverordening (TVO) mogen niet worden overschreden, in het bijzonder niet voor ijzer (Fe 0,2 mg/l) en mangaan (Mn 0,05 mg/l).

Elk gebruik dat niet in overeenstemming is met het beoogde doel is niet toegestaan. Voor de ontharder moet een waterfilter worden geïnstalleerd, vooral om deze te beschermen tegen vervuiling en dichtslibben.

Het gebruik van een beschermende filter stroomafwaarts van het apparaat wordt ook aanbevolen, omdat mechanische schade of materiaalfouten ertoe kunnen leiden dat de ionenwisselaars worden weggespoeld.

De toegestane waterdruk is 2,0 - 6,0 bar. Als de bestaande waterdruk boven de grenswaarde ligt, moet een drukregelaar worden gebruikt.

Om waterschade te voorkomen, moet een open afvoer in de buurt van de installatie aanwezig zijn. Is deze niet beschikbaar, installeer dan stroomopwaarts van de afvoer een leidingonderbreker om terugstromend afvalwater te voorkomen.

De installatieplaats moet vlak, droog en vrij van warmtebronnen zijn, met een temperatuur tussen +5 °C en +40 °C. Zorg dat het apparaat stevig staat en niet kan omvallen.

In systemen met koper en zink kan zeer zacht water corrosie veroorzaken. Bij een waterhardheid boven 15 °dH wordt aangeraden een resthardheid van 3-5 °dH aan te houden. De Aqmos waterontharder verzacht standaard naar 0 °dH, maar dit kan eenvoudig worden aangepast met de mengschroef.

Controleer of een terugstroombeveiliging op de wateraanvoer verplicht is volgens de nationale voorschriften. Neem bij twijfel contact op met uw waterbedrijf.

3. Toepassingsgebieden

Toepassingsgebied: Drinkwater

Beoogd gebruik: Vermindering van waterhardheid (calcium / magnesium)

Aansluiting van het apparaat: Ingang: 230 V / 50 Hz uitgang: 24 V / 50 Hz

Omgevingstemperatuur: min. +5 °C / max. +40 °C

Watertemperatuur: min. +5 °C / max. +30 °C

Bedrijfsdruk: min. 2 bar / max. 6 bar

Luchtvochtigheid: max. 60%

Zout: volgens DIN 19604, DIN EN 973 type A

Spatwaterdicht: nee

Storende ionen: chloor, ijzer, mangaan

4. Regeneratiezout

Het apparaat mag alleen gebruikt worden met zouttabletten gemaakt van zeer zuiver ingedampt zout (NaCl) volgens DIN 10604 DIN EN 973 type A. (zuiverheidsgraad)

Het gebruik van andere zouten (strooizout, steenzout) kan leiden tot vervuiling van het apparaat en aanzienlijke schade veroorzaken. Gebruik alleen regeneratiezout.

5. Gevarenaanduidingen

Gevaar door elektrische energie – risico op elektrische schokken!

Trek altijd de stekker uit het stopcontact voordat u aan het apparaat gaat werken!

In geval van schade aan de kabelisolatie of elektrische onderdelen, deze onmiddellijk vervangen.

Gevaar door waterdruk!

Voordat u aan het apparaat gaat werken, moet u altijd de druk wegnemen en het water afsluiten bij het montageblok. Sluit hiervoor eerst de buitenste ventielen en open dan het middelste bypass-ventiel. Als er geen montageblok aanwezig is, sluit dan de hoofdkraan en laat de druk af via een tappunt dat zich zo laag mogelijk in het waterdistributienet bevindt.

Gevaar door verontreiniging!

Pas het apparaat aan het werkelijke waterverbruik aan om voldoende doorstroming te garanderen.

Als het apparaat langere tijd niet wordt gebruikt, moet het op de juiste manier worden uitgeschakeld door een gespecialiseerd bedrijf. Deactiveer de geforceerde regeneratie in geen geval.

6. Onderhoud / Service

Het apparaat moet regelmatig door de operator worden getest op goede werking. Jaarlijks onderhoud door een gespecialiseerd bedrijf - gebaseerd op DIN 1988 Deel 8 - wordt aanbevolen om een technisch foutloze werking te garanderen.

Defecten of storingen moeten onmiddellijk worden verholpen.

De operator moet ervoor zorgen dat er altijd voldoende zout in het apparaat zit om de goede werking van het apparaat te garanderen.

7. Opslag en transport

Het apparaat mag alleen in de originele verpakking worden vervoerd. De opslag moet vorstvrij, niet naast sterke warmtebronnen en rechtop gebeuren. Let op de instelrichting die wordt aangegeven op de buitenverpakking.

8. Installatie

De installatie van het apparaat moet voldoen aan de geldende normen en voorschriften.

Aansluiting montageblok

Sluit de hoofdafsluiter voordat u met het werk begint.

Open dan een kraan erachter en laat de resterende waterdruk ontsnappen.

Het montageblok moet worden geïnstalleerd in de installatieleiding na de watermeter, het waterfilter en, indien van toepassing, de drukregelaar.

Let op de stroomrichting van het montageblok (pijl op het montageblok).

Plaats de testkraan (voorkant) en plug (achterkant) in overeenstemming met de stroomrichting.

Sluit de buitenste twee ventielen van het montageblok. Open dan het middelste bypass-ventiel. De hoofdafsluiter kan dan weer geopend worden. Het water stroomt nu door de bypass van het montageblok. Controleer op lekken.

Aansluiting afvalwater

Er moet een afvalwateraansluiting zijn in de buurt van de installatieplaats. U kunt de afvalwaterslang maximaal 120 cm omhoog leggen vanaf de afvalwateraansluiting van het apparaat. De lengte mag maximaal 6 meter zijn en moet een minimale helling hebben.

Sluit de afvalwaterslang (diameter 12 mm) aan op de afvoeraansluiting (aan de achterkant) van het regelventiel. Zet de aansluiting vast met een slangklem.

Sluit de overloopslang aan op de overloop van de kastbehuizing (aan de achterkant van het zoutreservoir).

Leid de uiteinden van de afvoerslangen naar de afvoeraansluiting (beide afzonderlijk, niet verbinden met een T-stuk. Terugstroomgevaar!) Gebruik een open afvoer en/of een terugstroombeveiliging (terugstroomgevaar). Zet de slangen voldoende vast (risico op losschieten door drukpieken).

Aansluiting ontharder

Lijn het apparaat uit op de gewenste positie op grondniveau. Zorg ervoor dat de vloer vlak en schoon is. Bouwpuin of stenen kunnen de kastbehuizing beschadigen.

Verbind de aansluitingen van het regelventiel (3/4" buitendraad) met de aansluitingen van het montageblok (1" buitendraad) met behulp van flexibele gepantserde slangen. Gebruik hiervoor de 3/4" platte pakkingen. Let op de in- en uitgang (pijlen) van de aansluitingen op het apparaat en het montageblok (gevaar voor verwisseling!).

Open de rode afsluitventielen op het regelventiel (moeten parallel aan elkaar staan).

Controleer of alle verbindingen goed vastzitten.

Vul de kastbehuizing nog niet met zout!

Open de twee buitenste ventielen van het montageblok en sluit dan pas het middelste bypass-ventiel. Nu wordt het water door de ontharder geleid.

Controleer of alle verbindingen goed vastzitten.

9. Inbedrijfstelling

- Vul ongeveer 15 liter in de kastbehuizing (tot ongeveer 25 cm hoogte). Na de eerste regeneratie staat het optimale waterniveau in het zoutreservoir.
- Controleer of de pekelleiding (diameter 3/8") tussen het regelventiel en de vlotterafsluiter dicht is.
- Sluit het regelventiel aan op het lichtnet. LCD-scherm knippert en toont het tijdstip en de resterende capaciteit.
- Voer nu een handmatige regeneratie uit. Draai hiervoor aan de grote draaiknop op het regelventiel rechtsonder vanuit positie "SERV." Op de positie "BA. WA.". Op het display verschijnt
BACKWASH

De ontharder voert nu een handmatige regeneratie uit.

Nu begint het terugspoelen (backwash).

De resterende tijd wordt weergegeven op de onderste regel van het scherm.

Wanneer de resterende tijd is verstreken, draait de knop naar de stand "BRINE" (zouten).

Op het display verschijnt

BRINE

Het systeem zorgt nu voor het zouten van de onthardingshars.

Na het zouten voert de ontharder de stappen "RINSE" (spoelen) en "REFILL" (pekeltank bijvullen) uit.

Controleer of het apparaat geen lucht aanzuigt via de pekelslang, controleer indien nodig de aansluitingen van de pekelslang.

Wacht tot het einde van de handmatige regeneratie (ongeveer 45 min.).

Het systeem heeft nu de onthardingshars gespoeld en de juiste hoeveelheid water in de pekeltank gepompt.

- Vul de pekeltank volledig met zouttabletten. Het duurt ongeveer 4–6 uur voordat het zout volledig is opgelost in het water, waardoor een pekeltank met maximale concentratie wordt gevormd. Hierdoor zal het niveau van de zouttabletten dalen. Voeg geen extra water toe!
- Het regelventiel kan nu worden ingesteld. Stel eenvoudig de tijd (TIME), het aantal dagen tot regeneratie (REG. DAYS) en de capaciteit (REG. CAP) in.

10. Aanpassing van de instellingen op het regelventiel

Het regelventiel wordt aangestuurd door gebruiksvriendelijke elektronica via een LCD-display. Bij normale werking worden de huidige tijd en de resterende capaciteit tot de volgende regeneratie weergegeven.

De capaciteit wordt weergegeven in T (ton). Een ton komt overeen met 1000 liter of 1 m³ water.

We hebben het regelventiel al ingesteld op de modus "Volumemodus met geforceerde regeneratie" (meter override). De waterhardheid die moet worden verwijderd, moet worden aangepast aan de hardheid die bij u aanwezig is. De bedrijfsmodus mag niet worden gewijzigd om bacteriologische besmetting te voorkomen.

Alle volgende waarden zijn al vooraf voor u ingesteld!

Parameter		Opties	Beschrijving
1	LANGUAGE	ENGLISH o. a.	Selecteer menutaal
2	REGION	METRIC	Selectie van de eenheid
		US	Gallons (VS) of ton (1 ton = 1000 l)
3	REGENEREER MODUS	CALENDAR CLOCK	In deze modus regeneert het apparaat na een vast geprogrammeerd aantal dagen op een vast tijdstip. Er wordt <u>geen</u> rekening gehouden met de hoeveelheid water die tijdens de periode is verbruikt. Afkorting op het scherm: CC (Calendar Clock)
		METER IMMEDIATE	In deze modus regeneert het apparaat zichzelf na het bereiken van een vaste geprogrammeerde hoeveelheid watervolume. Na het bereiken van het ingestelde volume vindt <u>onmiddellijk</u> regeneratie plaats. Afkorting op het scherm: MI (Meter Immediate)

		<p>METER DELAY</p>	<p>In deze modus regeneert het apparaat zichzelf na het bereiken van een vaste geprogrammeerde hoeveelheid watervolume. Na het bereiken van het ingestelde volume vindt regeneratie plaats op een bepaald tijdstip (<u>vertraagd</u>).</p> <p>Afkorting op het scherm: MD (Meter Delay)</p>
		<p><u>METER</u> <u>OVERRIDE</u></p>	<p>In deze modus regeneert het apparaat zichzelf na het bereiken van een vaste geprogrammeerde hoeveelheid watervolume.</p> <p>Na het bereiken van het ingestelde volume vindt regeneratie plaats op een bepaald tijdstip (vertraagd). Bovendien wordt een geforceerde regeneratie geactiveerd na een vooraf bepaald aantal dagen, ongeacht het verbruikte volume. Dit voorkomt dat een bacteriologische besmetting van het apparaat wanneer er geen water wordt gebruikt (bijvoorbeeld tijdens vakanties).</p> <p>Afkorting op het scherm: MO (Meter Override)</p>
4	TIME		Hier stelt u het tijdstip in.
5	REG. TIME (REGENERATION DAYS)	2:00	Voer het tijdstip in waarop het apparaat moet regenereren. We raden 2:00 uur 's nachts aan, omdat het water dan zelden wordt gebruikt.
6	REG. DAYS (REGENERATION DAYS)	7	Voer het aantal dagen in waarna het apparaat moet regenereren (alleen in de modus "Calender Clock" en "Meter Override").
7	REG. CAP.	<p>R2D2-32 = 1,45 to.</p> <p>R2D2-48 = 2,10 to.</p> <p>R2D2-72 = 3,20 to.</p>	De onthardingscapaciteit wordt hier gespecificeerd. De capaciteit wordt berekend op basis van de bestaande waterhardheid en de hoeveelheid onthardingshars en de gewenste vermenging bij het regelventiel.

8	BACKWASH (terugspoelen)	R2D2-32 = 1 min R2D2-48 = 1 min R2D2-72 = 1 min	Duur van het terugspoelen van de onthardingshars in minuten. Door het terugspoelen wordt de hars gereinigd. Verander deze waarde <u>niet</u>.
9	BRINE (zouten)	R2D2-32 = 28 min R2D2-48 = 35 min R2D2-72 = 40 min	Duur van het zouten van de ontharder in minuten. Door het zouten met pekkel wordt de hars geregenereerd en wordt de oorspronkelijke onthardingscapaciteit hersteld. Verander deze waarde <u>niet</u>.
10	RINSE (spoelen)	R2D2-32 = 2 min R2D2-48 = 2 min R2D2-72 = 3 min	Duur van het spoelen van de onthardingshars in minuten. De laatste resten van de pekkel en eventueel vuil in het harsbed worden uitgespoeld door het spoelen. Verander deze waarde <u>niet</u>.
11	REFILL (pekeltank bijvullen)	R2D2-32 = 3,2 min R2D2-48 = 4,8 min R2D2-72 = 7,2 min	Duur van het bijvullen van de pekeltank in minuten. Door het hervullen wordt de pekeltank weer bijgevuld met water zodat zich een nieuwe pekkel kan vormen tot het volgende regeneratieproces. Verander deze waarde <u>niet</u>.
12	LOAD DEFAULT (terugzetten naar fabrieksinstelling)		Zet alle instellingen terug op nul. Het apparaat is al geprogrammeerd op Duitse waarden. Bij het terugzetten worden deze ook overschreven. Activeer deze functie <u>niet</u>.

De "volumemodus met geforceerde regeneratie" aanbevolen voor Europese gebruikers (Meter Override) is al vooraf ingesteld en mag niet worden gewijzigd.

Er hoeven maar een paar instellingen te worden gemaakt voor een goede werking in deze modus.

Instelling van het tijdstip

Dit voert de regeneratie uit op het gewenste tijdstip (standaard: 2:00 's morgens).

Instelling van het aantal dagen tot een geforceerde regeneratie wordt uitgevoerd

Om hygiënische redenen hebben we de geforceerde regeneratie ingesteld op 7 dagen. (Kan ook worden verhoogd naar 10 dagen voor een efficiëntere werking)

Instelling van de onthardingscapaciteit

Afhankelijk van de grootte van het apparaat (hoeveelheid onthardingshars) en de waterhardheid moet de capaciteit worden berekend en ingevoerd. **Zie hoofdstuk 12**

Controle van alle parameters

Controleer of alle parameters overeenkomen met de grootte van het apparaat.

11. Programmering van het regelventiel in de modus "Volumemodus met geforceerde regeneratie" (meter override)

Druk gedurende 3 seconden op de knop "□" om de toetsblokkering op te heffen (unlock screen).
Druk op de knop "□" om het menu te openen.

"LANGUAGE" wordt weergegeven.

Druk op de knop "■". Het scherm begint te knipperen.

Selecteer de modus "ENGLISH" met de knoppen "▲" en "▼".

Sla deze invoer op met de knop "■".

Druk op de knop "▼" om naar het volgende item te gaan.

"REGION METRIC" of "REGION US" wordt weergegeven.

Druk op de knop "■". Het scherm begint te knipperen.

Selecteer de modus "REGION METRIC" met de knoppen "▲" en "▼".

Sla deze invoer op met de knop "■".

Druk op de knop "▼" om naar het volgende item te gaan.

U krijgt een van de volgende modi te zien: "METER DELAY", "METER OVERRIDE", "METER IMMEDIAT", "CALENDAR CLOCK".

Druk op de knop "■". Het scherm begint te knipperen.

Selecteer de modus "METER OVERRIDE" met de knoppen "▲" en "▼".

Sla de invoer op met de knop "■".

Druk op de knop "▼" om naar het volgende item te gaan.

U krijgt het volgende te zien: "TIME" (huidig tijdstip).

Druk op de knop "■". Het scherm begint te knipperen.

Selecteer het uur met de knoppen "▲" en "▼".

Sla de invoer op met de knop "■".

Nu knippert de instelling voor de minuut.

Selecteer de minuut met de knoppen "▲" en "▼".
Sla deze invoer op met de knop "■".

Druk op de knop "▼" om naar het volgende item te gaan.

U krijgt het volgende te zien: "REG. TIME".
Druk op de knop "■". Het scherm begint te knipperen.
Selecteer het uur met de knoppen "▲" en "▼".
(Wij raden "2" aan)
Sla deze invoer op met de knop "■".

Nu knippert de instelling voor de minuten.
Selecteer de minuten met de knoppen "▲" en "▼".
(Wij raden "0" aan)
Sla deze invoer op met de knop "■".

Druk op de knop "▼" om naar het volgende item te gaan.

U krijgt het volgende te zien: "REG. DAYS".
Druk op de knop "■". Het scherm begint te knipperen.
Selecteer de dagen met de knoppen "▲" en "▼".
(Wij raden "07" of "10" aan)
Sla deze invoer op met de knop "■".

Druk op de knop "▼" om naar het volgende item te gaan.

U krijgt "REG. CAP." te zien.
Druk op de knop "■". Het scherm begint te knipperen.
Selecteer de capaciteit in ton (= 1000 liter) met de knoppen "▲" en "▼".
Voer hier de volumewaarde in uit de tabel op pagina 208
Sla deze invoer op met de knop "■".

Nu knippert de instelling voor de capaciteit in liters.
Selecteer de capaciteit in liter met de knoppen "▲" en "▼".
Voer de decimale puntwaarde in uit de tabel op pagina 208
Sla deze invoer op met de knop "■".

Druk op de knop "▼" om naar het volgende item te gaan.

U krijgt het volgende te zien: "BACKWASH".
Druk op de knop "■". Het scherm begint te knipperen.
Selecteer de juiste tijd in minuten voor uw apparaat met de knoppen "▲" en "▼".
R2D2-32: 01 min.
R2D2-48: 01 min.
R2D2-72: 01 min.
Sla deze invoer op met de knop "■".

Druk op de knop "▼" om naar het volgende item te gaan.

U krijgt het volgende te zien: "BRINE".

Druk op de knop "■". Het scherm begint te knipperen.

Selecteer de juiste tijd in minuten voor uw apparaat met de knoppen "▲" en "▼".

R2D2-32: 28 min.

R2D2-48: 35 min.

R2D2-72: 40 min.

Sla deze invoer op met de knop "■".

U krijgt het volgende te zien: "RINSE".

Druk op de knop "■". Het scherm begint te knipperen.

Selecteer de juiste tijd in minuten voor uw apparaat met de knoppen "▲" en "▼".

R2D2-32: 02 min.

R2D2-48: 02 min.

R2D2-72: 03 min.

Sla deze invoer op met de knop "■".

Druk op de knop "▼" om naar het volgende item te gaan.

U krijgt het volgende te zien: "REFILL".

Druk op de knop "■". Het scherm begint te knipperen.

Selecteer de juiste tijd in minuten voor uw apparaat met de knoppen "▲" en "▼".

R2D2-32: 03.2 min.

R2D2-48: 04.8 min.

R2D2-72: 07.2 min.

Sla deze invoer op met de knop "■".

Druk op de knop "□" om de programmering te verlaten.

Uw waterontharder is nu volledig geprogrammeerd en klaar voor gebruik.

12. Berekening van de onthardingscapaciteit

Afhankelijk van de hoeveelheid onthardingshars die gebruikt wordt, kan een ontharder verschillende hoeveelheden water ontharden.

De hardheid van het ruw water heeft ook een grote invloed op de capaciteit van een apparaat.

Beide waarden moeten bekend zijn en opgeslagen worden in het regelventiel om het apparaat zo zuinig en goed mogelijk te laten functioneren.

Gebruik een totale hardheidsmeetset om eenvoudig de huidige hardheid van ruw water te bepalen.

U kunt de waterhardheid ook vinden in de informatie van uw waterleidingbedrijf (bijvoorbeeld op hun website).

U kunt de waarden in de tabel hieronder ook zelf berekenen als dat nodig is:

Voorbeeld:

32: 20°dH = 1200 l zacht water

48: 20°dH = 1800 l zacht water

72: 10°dH = 5400 l zacht water

		R2D2-32	R2D2-48	R2D2-72
°dH	°fH			
5	9	4,80 T	7,20 T	10,80 T
6	11	4,00 T	6,00 T	9,00 T
7	12	3,40 T	5,10 T	7,70 T
7,5	13	3,20 T	4,80 T	7,20 T
8	14	3,00 T	4,50 T	6,70 T
9	16	2,60 T	4,00 T	6,00 T
10	18	2,40 T	3,60 T	5,40 T
11	20	2,10 T	3,20 T	4,90 T
12	21	2,00 T	3,00 T	4,50 T
13	23	1,80 T	2,70 T	4,10 T
14	25	1,70 T	2,50 T	3,80 T
15	27	1,60 T	2,40 T	3,60 T
16	29	1,50 T	2,20 T	3,30 T
17	30	1,40 T	2,10 T	3,10 T
18	32	1,30 T	2,00 T	3,00 T
19	34	1,20 T	1,90 T	2,80 T
20	36	1,20 T	1,80 T	2,70 T
21	37	1,10 T	1,70 T	2,50 T
22	39	1,00 T	1,60 T	2,40 T
23	41	1,00 T	1,50 T	2,30 T
24	43	1,00 T	1,50 T	2,20 T
25	45	0,90 T	1,40 T	2,10 T
26	46	0,90 T	1,30 T	2,00 T
27	48	0,80 T	1,30 T	2,00 T
28	50	0,80 T	1,20 T	1,90 T
29	52	0,80 T	1,20 T	1,80 T
30	54	0,80 T	1,20 T	1,80 T

13. Instelling van de vermenging

Het apparaat onthardt het ruw water tot 0 °dH.

We raden aan om de adviezen van fabrikanten van apparaten zoals boilers te volgen. Als daarin een specifieke waterhardheid wordt vermeld, kan het nodig zijn om het ontharde water te mengen met ruw water tot de aanbevolen hardheid.

Optie 1 - geïntegreerd mengventiel op het regelventiel

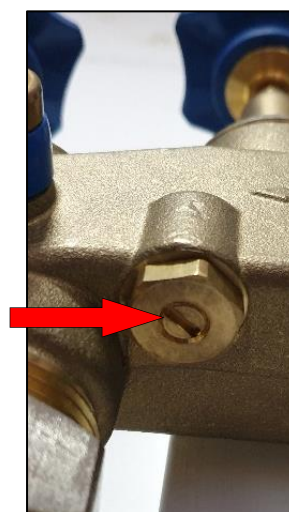


Door aan de stelschroef te draaien, verandert u de vermenging met ruw water.

Draai rechtsom: De waterhardheid wordt verhoogd.

Draai linksom: De waterhardheid neemt af.

Optie 2 - Gleufschroef op het montageblok



Gleufschroef voor instelling van resthardheid

Door aan de gleufschroef te draaien, verandert u eveneens de vermenging met ruw water.

Draai linksom: De waterhardheid wordt verhoogd.

Draai rechtsom: De waterhardheid neemt af.

We raden aan om over het montageblok te mengen.

Het resultaat is nauwkeuriger. Bovendien is het montageblok gemaakt van messing en dus robuuster.

Controleer de waterhardheid op een aftappunt (monsterafnamekraan op het montageblok) in de buurt van het apparaat met een waterhardheidsmeetset (titratieoplossing).

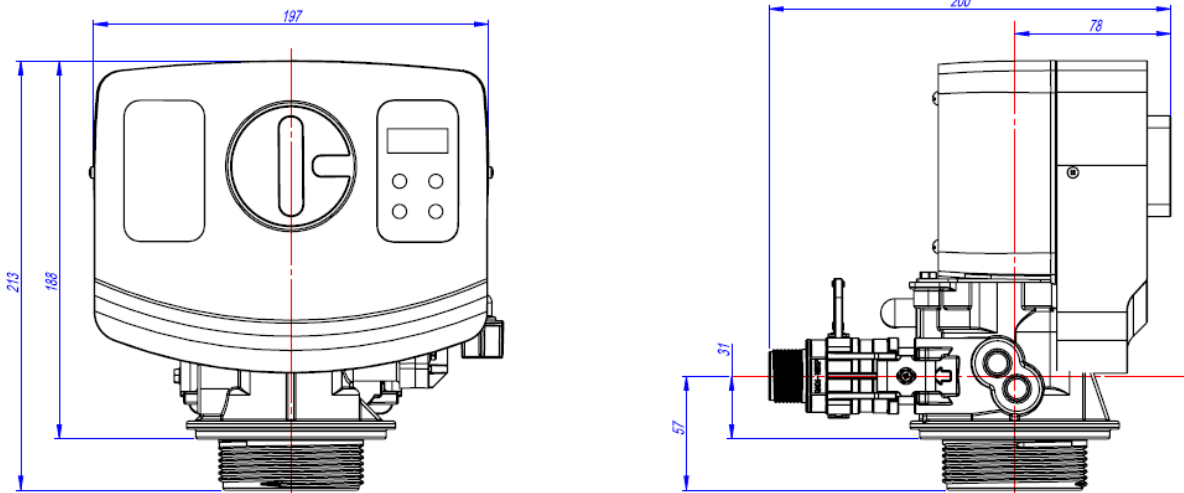
Meet de waterhardheid alleen met koud water (warm water wordt door verwarmingselementen geleid en wordt slechts geleidelijk zachter).

Afhankelijk van de afstand tot het aftappunt kan het lang duren voordat de nieuw gemengde waterhardheid gemeten kan worden. (Meet daarom direct bij de monsterafnamekraan op het montageblok)

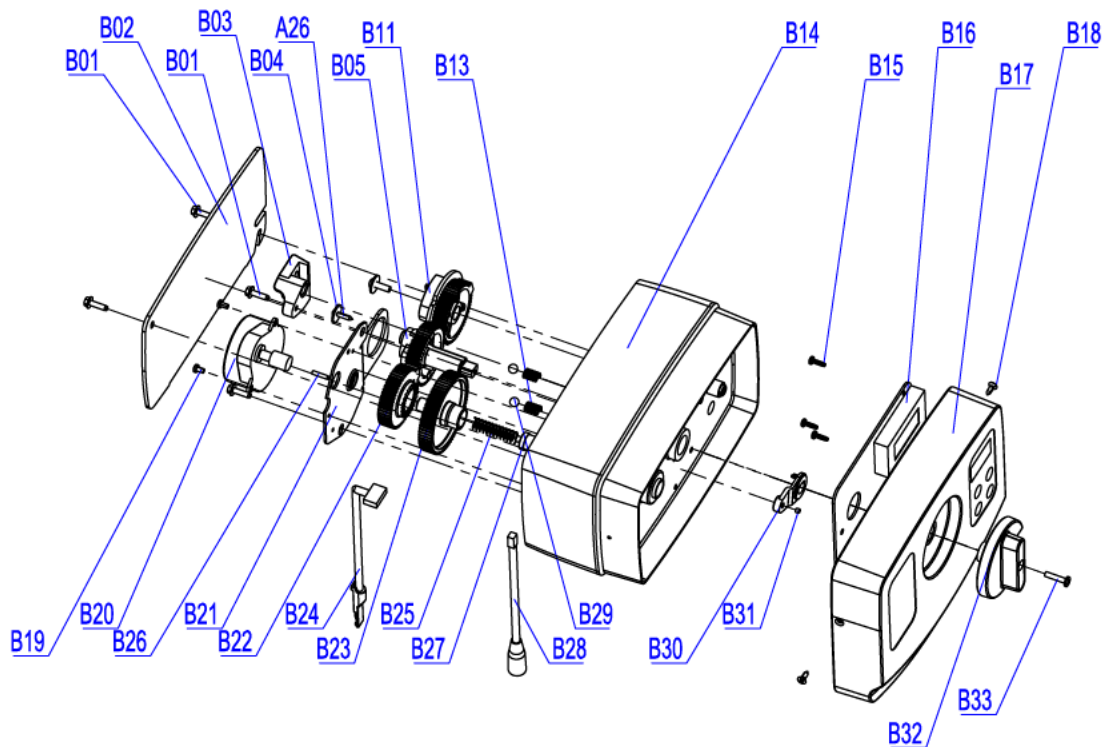
Het beste is om de dichtstbijzijnde kraan half open te draaien en de waterhardheid aan te passen.

14. Tekeningen

Afmetingen van het regelventiel



Explosietekening van regelventiel BNT1650

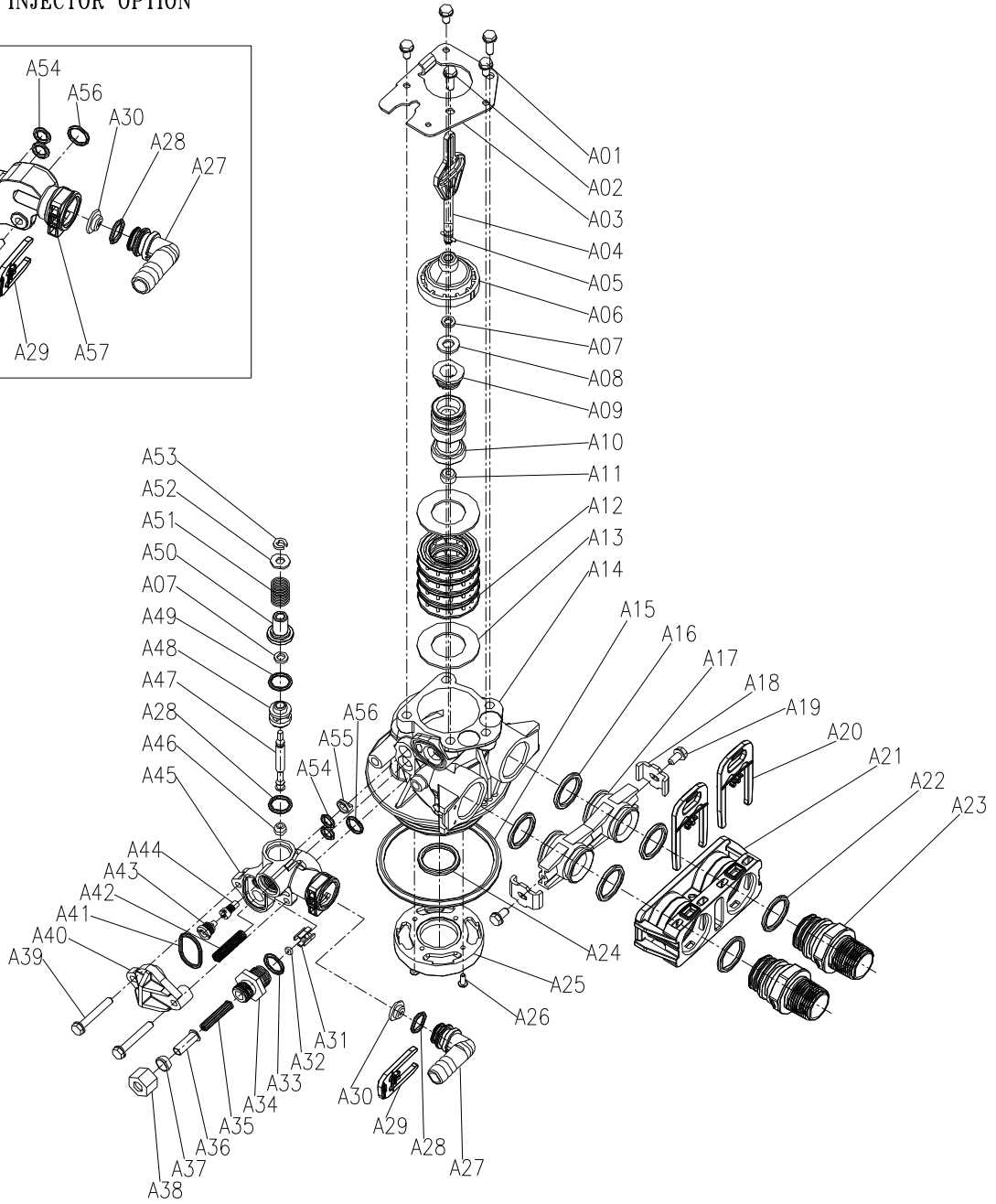
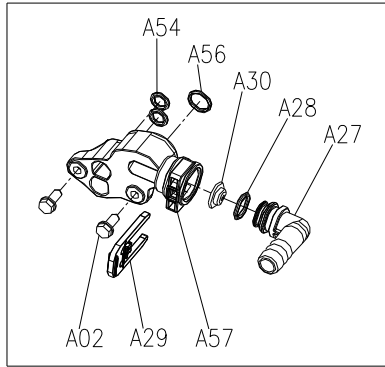


Lijst met reserveonderdelen BNT-1650

	Onderdeelnr.	Onderdeelbeschrijving	Hoeveelheid
B01	05056136	Schroef-ST3.5x13 (zeskant met sluitring)	4
B02	05056014	Bnt65 Back Cover	1
B03	05010045	Piston Stem Holder	1
A26	13000426	Screw-ST2.9x13 (Large Water)	1
B04	05056139	Washer-3x13	1
B05	05056005	Main Gear	1
B06	05056083	Screw-M4x14	1
B07	05056166	Screw-ST4.2x12 (Large Water)	1
B08	05056141	Washer-4x12	1
B09	13111004	Washer-4x9	1
B10	05056016	Refill Regulator	1
B11	05056015	Brine Gear	1
B12	05056089	Nut-M4	1
B13	05056095	Spring Detent	2
B14	05056001	Bnt65 Housing	1
B15	05010037	Srew-ST2.9x10	5
B16	05056504	Bnt165 Pcb	1
B17	05056500	Bnt165 Front Cover	1
	05056505	Bnt165 Operation Label	1
	05056506	Bnt165 Regen. Label	1
	3010019582	QR-code-etiket	1
B18	05056509	Screw-ST2.9x10 (CSK)	2
B19	05056082	Screw-M3x5	2
B20	05056510	Motor-12v/2rpm	1
	11700005	Wire Connector	2
B21	05056045	Motor Mounting Plate	1
B22	05056501	Bnt165 Drive Gear	1
A04	05010081	Bnt65 Piston Rod	1
B23	05056002	Idler Gear	1
B24	05010031	Meter Assembly	1
	05010046	Meter Strain Relief	1
B25	05056094	Spring Idler	1
B26	05056098	Motor Pin	1
B27	05056502	Spring Retainer	1
B28	05056507	Bnt165 Power Cable	1
	05056013	Bnt65 Power Strain Relief	1
B29	05056092	Ball-1/4inch	2
B30	05056503	Magnet Holder	1
B31	05010023	Magnet-3x2.7	1
B32	05056008	Bnt65 Knop	1
	05056111	Bnt65 Knop Label	1
B33	05056084	Screw-ST3.5x13	1

Explosietekening van ventielhals BNT-1650

FILTER INJECTOR OPTION

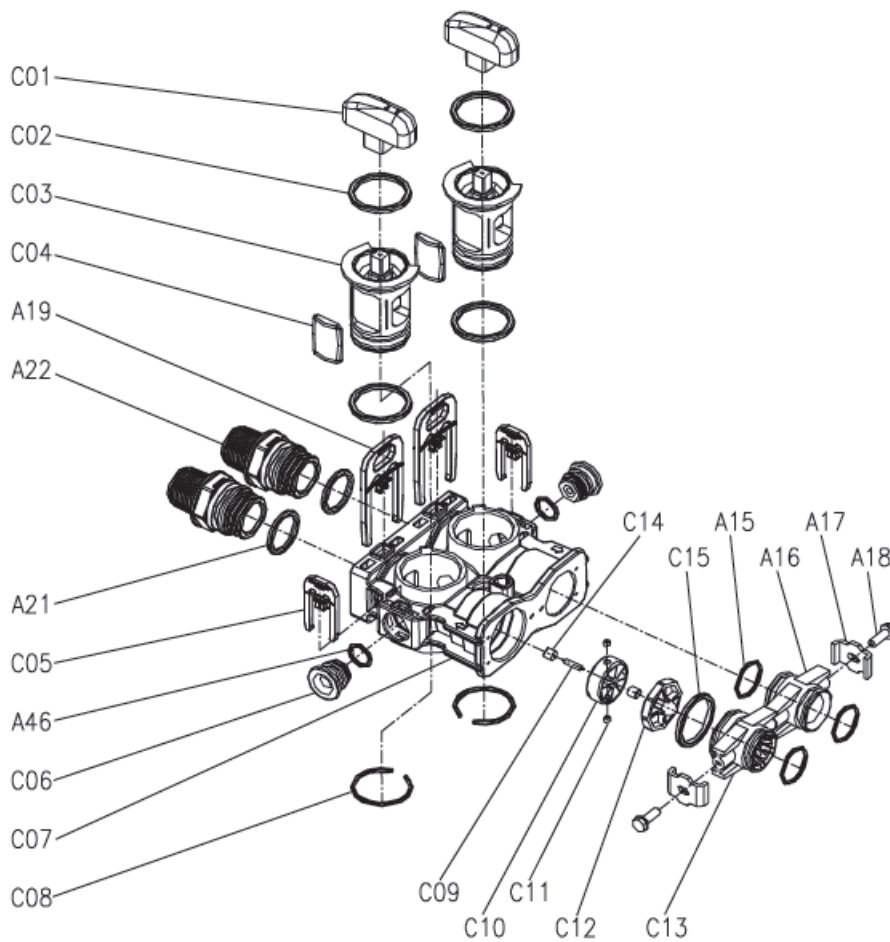


Lijst met reserveonderdelen ventielhals BNT-1650

Artikelnr.	Onderdeel Nr.	Onderdeelbeschrijving	Hoeveelheid
A01	05056087	Screw-M5x12 (Hexagon)	3
A02	05056088	Screw-M5x16 (Hexagon with Washer)	2
A03	05056047	End Plug Retainer	1
A04	05010081	Bnt65 Piston Rod	1
A05	05056097	Piston Pin	1
A06	05056023	End Plug	1
A07	05056070	Quad Ring	2
A08	05056024	End Plug Washer	1
A09	05056022	Piston Retainer	1
A10	05056181	Piston (Electrical)	1
A11	05056104	Muffler	1
A12	05056021	Spacer	4
A13	05056073	Seal	5
A14	05056019	Bnt65 Valve Body	1
A15	05056063	O-ring-q78,74x5,33	1
A16	05056129	O-ring q23x3	4
A17	05056025	Adaptor Coupling	2
A18	05056044	Adaptor Clip	2
A19	05056090	Screw ST4.2x13 (Hexagon with Washer)	2
A20	21709003	Secune Clip	2
A21	05056140	Valve Connector	1
A22	05056065	O-ring q23,6x2,65	2
A23	21319006	Screw Adaptor	2
A24	26010103	O-ring q25x3,55	1
A25	07060007	Valve Bottom Connector	1
A26	13000426	Screw ST2.9x13 (Large Wafer)	2
A27	05010082	Drain Fitting-B	1
A28	05056134	O-ring 12x2	2
A29	05056172	Sesune Clip S	1
A30	05056186	DLFC-2#	1
A31	05056035	BL F C Button Retainer	1
A32	05056191	BL F C-2#	1
A33	05056138	O-ring 14x1,8	1
A34	05056100B	BL F C Fitting	1
A35	05056106	Brine Line Screen	1
A36	05056107	BL F C Tube Insert	1
A37	05056033	BL F C Femule	1
A38	05056108	BL F C Fitting Nut	1
A39	05056066	Screw-M6x30 (Hexagon with Washer)	2
A40	05056029	Injector Cover	1
A41	05056072	O-ring q24x2	1
A42	05056103	Injector Screen	1
A43	05056027	Injector Nozzle	1
A44	05056028	Injector Throat	1
A45	05056177	Injector Body-B	1

A46	05056075	Injector Seat	1
A47	05056054	Injector Spacer	1
A49	05056081	O-ring 12,5x1,8	1
A50	05056030	Injector Cap	1
A51	05056093	Injector Screen	1
A52	05010049	Special Washer	1
A53	05056105	Retaining Ring	1
A54	05056067	O-ring 7,8x1,9	2
A55	05056037	Air Disperser	1
A56	05056066	O-ring 11x2	1
A57	05056165	Injector Body (Filter)	1

Explosietekening van bypass-ventiel



Lijst met reserveonderdelen bypass-ventiel BNT-1650

Artikelnr.	Onderdeelnr.	Onderdeelbeschrijving	Hoeveelheid
C01	05056147	Bypass-knop	2
C02	26010028	O-ring 28x2,65	4
C03	05056148	Bypass plug	2
C04	05056149	Bypass seal	2
A20	21709003	Secure Clip	2
A23	21319006	Screw Adaptor	2
A22	05056065	O-ring 23,6x2,65	2
C05	05056172	Secure Clip S	2
A48	05056134	O-ring 12x2	1
C06	05056146	Bulkhead	2
C07	05056145	Bypass body	1
C08	05056150	Kraag 32x2,5	2
C09	05010079	Impeller Pin	1
C10	05010014	Impeller	1
C11	05010078	Magnet 4x3	2
C12	05010077	Impeller Holder	1
C13	05010083	Adaptor Distributor	1
C14	05010019	Pin Holder	2
C15	26010046	O-ring 27x3	1
A16	05056129	O-ring 23x3	3
A17	05056025	Adaptor Coupling	1
A18	05056044	Adaptor Clip	2
A19	05056090	Screw-ST4.2x13 (Hexagon with Washer)	2

Technische gegevens

Bedrijfsdruk:	2,0 bar tot 6,0 bar
Omgevingstemperatuur:	+5 °C tot +40 °C
Aansluiting van het apparaat:	Ingang: 230 V / 50 Hz -- Uitgang: 25 V / 50 Hz
Schroefdraad naar het drukvat:	2.5" NPSM
Aansluitgrootte ingang/uitgang:	3/4"

Betriebsanleitung

Programmieranleitung

Mengengesteuerte zeitverzögerte Regeneration
200g Besalzung >Gleichstrom<
R2D2- 32 / 48 / 72



Wasserenthärtungsanlage R2D2
Kapazität 32, 48 und 72
mit Steuerventil BNT 1650

Inhaltsverzeichnis

Wichtige Hinweise	217
Sicherheitshinweise	217
Einsatzbereiche	218
Regeneriersalz	219
Gefahrenhinweise	219
Wartung / Service	219
Lagerung und Transport	219
Installation	219
Inbetriebnahme	220
Anpassung der Einstellungen am Steuerventil	221
Programmierung des Steuerventils	224
Berechnung der Enthärtungskapazität	226
Einstellung der Verschneidung	228
Zeichnungen	229

1. Wichtige Hinweise

Bitte lesen Sie diese Bedienungsanleitung vor der Installation und Nutzung der Anlage vollständig durch. Die Sicherheitshinweise sind unbedingt zu befolgen und einzuhalten.

Wir haben den Enthärter größtenteils bereits vorprogrammiert. Überprüfen Sie Ihre Wasserhärte und korrigieren Sie den voreingestellten Wert bei Bedarf. Ein falsch eingestellter Wert kann zu Störungen führen! Das System hat standardmäßig 3 Jahre Werksgarantie. Diese Garantie gilt nur, wenn das System gemäß allen Vorschriften in Betrieb genommen wird

2. Sicherheitshinweise

Die Wasserenthärtungsanlage ist an einer frostfreien und vor Feuchtigkeit geschützten Stelle zu installieren. Sie darf nicht im Freien installiert werden.

Die Montage und Installation darf nur von geschultem Fachpersonal erfolgen. Arbeiten an der Wasserinstallation dürfen nur von autorisierten Installationsbetrieben durchgeführt werden. Die örtlichen Vorschriften sind strikt zu beachten. Beachten Sie unbedingt die Hinweise in der Installationsanleitung!

Diese Enthärtungsanlage ist nur für den Betrieb im Trinkwasserbereich konzipiert. Die Grenzwerte der Trinkwasserverordnung (TVO) dürfen insbesondere bei Eisen (Fe: 0,2 mg/L) sowie Mangan (Mn: 0,05 mg/L) nicht überschritten werden.

Eine nicht dem Verwendungszweck entsprechende Nutzung ist nicht zulässig. Insbesondere zum Schutz vor Verschmutzung und Verschlammung der Enthärtungsanlage muss vor dieser ein Wasserfilter installiert werden.

Ebenfalls wird der Einsatz eines Schutzfilters hinter der Anlage empfohlen, da durch mechanische Beschädigung oder Materialfehler Ionenaustauscherharz ausgespült werden könnte.

Der zulässige Wasserdruck liegt bei 2,0 – 6,0 bar. Sollte der vorhandene Wasserdruck über dem Grenzwert liegen, ist ein Druckminderer einzusetzen.

Um Wasserschäden zu vermeiden, sollte in der Nähe des Installationsorts ein offener Abfluss vorhanden sein. Falls dies nicht möglich ist, installieren Sie einen Sicherheitsbehälter vor dem Abfluss, um einen Rückfluss von Abwasser zu verhindern.

Der Installationsort muss eben, trocken und frei von Wärmequellen sein, mit einer Temperatur zwischen +5 °C und +40 °C. Stellen Sie sicher, dass das Gerät stabil steht und nicht umkippen kann.

In Systemen mit Kupfer und Zink kann sehr weiches Wasser Korrosion verursachen. Bei einer Wasserhärte über 15 °dH wird empfohlen, eine Resthärte von 3–5 °dH beizubehalten. Der Aqmos Wasserenthärter stellt standardmäßig 0 °dH ein, kann aber einfach über die Mischschraube angepasst werden.

Überprüfen Sie, ob gemäß den nationalen Vorschriften ein Rückflussverhinderer am Wasseranschluss erforderlich ist. Bei Zweifeln wenden Sie sich bitte an Ihren Wasserversorger.

3. Einsatzbereiche

Einsatzbereich: Trinkwasser

Verwendungszweck: ausschließlich zur Reduzierung der Wasserhärte (Calcium / Magnesium)

Anlagenanschluss: Eingang: 230 V / 50 Hz Ausgang: 24 V / 50 Hz

Umgebungstemperatur: min. +5 °C / max. +40 °C

Wassertemperatur: min. +5 °C / max. +30 °C

Betriebsdruck: min. 2 bar / max. 6 bar

Luftfeuchtigkeit: max. 60 %

Salz: gemäß DIN 19604, DIN EN 973 Typ A

Spritzwassergeschützt: nein

Störionen: Chlor, Eisen, Mangan

4. Regeneriersalz

Die Anlage darf nur mit Salztabletten aus hochreinem Siedesalz (NaCl) nach DIN 19604 DIN EN 973 Typ A genutzt werden. (Reinheitsgrad)

Die Nutzung anderer Salze ist nicht gestattet. (Streusalz, Bruchsalz) kann zu Verschmutzungen der Anlage führen und zu erheblichen Schäden führen. Bitte Ausschließlich Regeneriersalz benutzen.

5. Gefahrenhinweise

Gefahr durch elektrische Energie – Stromschlaggefahr!

Vor Arbeiten an der Anlage immer den Netzstecker ziehen!

Bei Beschädigungen an Kabelisolierungen oder elektrischen Bauteilen sind diese sofort zu ersetzen.

Gefahr durch Wasserdruck!

Vor Arbeiten an der Anlage immer den Druck ablassen und das Wasser an dem Montageblock abstellen. Hierzu zuerst die äußeren Ventile schließen, dann das mittlere Bypassventil öffnen. Falls kein Montageblock vorhanden ist, schließen Sie das Hauptventil und lassen Sie den Druck über einen Zapfpunkt ab, der sich so tief wie möglich im Wasserversorgungsnetz befindet.

Gefahr durch Verunreinigung!

Die Anlage dem tatsächlichen Wasserverbrauch anpassen, um einen ausreichenden Durchfluss zu gewährleisten. Bei längerer Nichtnutzung ist die Anlage durch eine Fachfirma ordnungsgemäß außer Betrieb zu setzen. Die Zwangsregeneration keinesfalls deaktivieren.

6. Wartung / Service

Die Anlage sollte einer regelmäßigen, Prüfung auf einwandfreie Funktion durch den Betreiber unterliegen. Eine jährliche Wartung zur technisch einwandfreien Funktion durch einen Fachbetrieb wird – angelehnt an DIN 1988 Teil 8 – empfohlen.

Mängel oder Fehlfunktionen sind umgehend zu beheben.

Der Betreiber muss sicherstellen, dass sich immer eine ausreichende Menge Salz in der Anlage befindet, um die einwandfreie Funktion der Anlage zu gewährleisten.

7. Lagerung und Transport

Die Anlage darf nur in der Originalverpackung transportiert werden. Die Lagerung darf nur frostfrei, nicht neben starken Wärmequellen und stehend erfolgen. Auf die auf der Umverpackung angegebene Stellrichtung ist zu achten.

8. Installation

Die Installation der Anlage muss den gültigen Normen und Vorschriften entsprechen.

Weitere Installationsinformationen finden Sie auf Seite 15 oder scannen Sie den QR-Code auf der Rückseite dieser Anleitung oder auf dem Wasserenthärter selbst, um ein Installationsvideo anzusehen.

9. Inbetriebnahme

- Füllen Sie ca. 15 Liter in das Kabinettgehäuse (bis ca. 25 cm Höhe). Nach der ersten Regeneration ist der optimale Wasserstand im Salzbehälter.
- Soleleitung (Durchschnitt 3/8“) zwischen Steuerventil und Schwimmventil auf festen Sitz überprüfen.
- Steuerventil mit dem Stromnetz verbinden. LCD-Display blinkt und zeigt Uhrzeit sowie Restkapazität an.
- Führen Sie nun eine manuelle Regeneration durch. Hierzu drehen Sie den großen Drehknopf am Steuerventil im Uhrzeigersinn von der Position „SERV.“ Auf die Position „BA. WA.“. Das Display zeigt

Rückspülen

- Die Anlage führt nun eine manuelle Regeneration durch.
- Nun beginnt die Rückspülung.
- In der unteren Zeile des Displays wird die Restzeit angezeigt.
- Nach Ablauf der Restzeit dreht sich der Knopf auf die Position „BRINE“ (Besalzung).

Das Display zeigt

Besalzung

Die Anlage führt nun die Besalzung des Enthärterharzes durch.

Nach dem Besalzen führt die Anlage noch die Schritte „RINSE“ (Schnellspülen) und „Füllen“ (Solebehälter füllen) aus.

Achten Sie darauf, dass die Anlage über den Soleschlauch keine Luft zieht, prüfen Sie ggf. die Anschlüsse des Soleschlauchs.

Warten Sie das Ende der manuellen Regeneration ab (ca. 45 Min.).

- Nun hat die Anlage das Enthärterharz gespült und die passende Menge Wasser in den Solebehälter gepumpt.
- Füllen Sie nun Salztabletten in den Solebehälter ein, bis dieser vollständig gefüllt ist. Salz muss mindestens über dem Wasserpegel sein, damit sich ausreichend Salzsole bilden kann. Es dauert ca. 4-6 Stunden, bis sich das Salz in Wasser bis zur maximalen Konzentration gelöst und eine Sole gebildet hat. Hierbei sinkt der Füllstand der Salztabletten. Geben Sie kein zusätzliches Wasser hinzu!
- Nun können die Einstellungen am Steuerventil vorgenommen werden. (Anlage wird durch uns komplett voreingestellt.) Sie müssen lediglich die Uhrzeit und die Kapazität einstellen

10. Anpassung der Einstellungen am Steuerventil

Das Steuerventil wird durch eine leicht zu bedienende Elektronik über ein LCD-Display gesteuert. Im Normalbetrieb wird Ihnen die aktuelle Uhrzeit sowie die verbleibende Kapazität bis zur nächsten Regeneration angezeigt.

Die Kapazität wird in T (Tonnen) angezeigt. Eine Tonne entspricht dabei 1000 Litern bzw. 1 m³ Wasser

Wir haben das Regelventil bereits auf die Modus "Volumenmodus mit erzwungener Regeneration" (meter override) eingestellt. Die zu entfernende Wasserhärte muss der bei Ihnen vorhandenen Härte angepasst werden. Der Betriebsmodus sollte nicht verändert werden, um einer Verkeimung vorzubeugen.

Alle nachstehenden Werte sind bereits für Sie voreingestellt!

Parameter		Optionen	Beschreibung
1	Sprache	<u>DEUTSCH</u> u. a.	Menüsprachen (Italiano, Svenska, Nederlands, English, Espanol, Türke, Polski, Francais, Russisch, Cestina, Romania)
2	REGION	<u>EINHEITEN METRISCH</u>	Auswahl der Einheit
		EINHEITEN US	Gallonen (US) oder Tonnen (1 Tonne = 1000 l)
3	REGENERIER-MODUS	Zeitsteuerung	In diesem Modus regeneriert die Anlage nach einer fest programmierten Anzahl von Tagen zu einer festen Uhrzeit. Die in dem Zeitraum verbrauchte Menge an Wasser wird <u>nicht</u> berücksichtigt. Abkürzung im Display: CC (Zeitsteuerung)
		Volumen sofort	In diesem Modus regeneriert sich die Anlage nach Erreichen einer fest programmierten Menge an Wasservolumen. Nach Erreichen des festgelegten Volumens erfolgt die Regeneration <u>sofort</u> . Abkürzung im Display: MI (Volumen sofort)

		Volumen verzögert	In diesem Modus regeneriert sich die Anlage nach Erreichen einer fest programmierten Menge an Wasservolumen. Nach Erreichen des festgelegten Volumens erfolgt die Regeneration zu einer bestimmten Uhrzeit (<u>verzögert</u>). Abkürzung im Display: (Volumen verzögert)
		<u>Volumen nicht berücksichtigen</u>	In diesem Modus regeneriert sich die Anlage nach Erreichen einer fest programmierten Menge an Wasservolumen. Nach Erreichen des festgelegten Volumens erfolgt die Regeneration zu einer bestimmten Uhrzeit (verzögert). Zusätzlich wird nach Ablauf einer vorzugebenden Anzahl von Tagen, unabhängig von dem verbrauchten Volumen, eine Zwangsregeneration ausgelöst. Diese beugt einer Verkeimung der Anlage vor, wenn kein Wasser verbraucht wird (beispielsweise während des Urlaubs). Abkürzung im Display: Volumen nicht berücksichtigt
4	Uhrzeit		Hier stellen Sie die Uhrzeit ein.
5	Regen.Zeit.	2:00	Geben Sie hier die Uhrzeit ein, zu der die Anlage regenerieren soll. Wir empfehlen 2:00 Uhr morgens, da zu dieser Zeit selten Wasser verbraucht wird.
6	Regen.Tage	7	Geben Sie hier die Anzahl der Tage ein, nach der die Anlage regenerieren soll (nur im Modus („Volumensteuerung sofort“ und „Volumen nicht berücksichtigt“)).
7	Kapazität	R2D2-32 = 1,45 to. R2D2-48 = 2,10 to. R2D2-72 = 3,20 to.	Hier wird die Enthärtungskapazität vorgegeben. Die Kapazität berechnet sich aus der vorliegenden Wasserhärte und der Menge an Enthärterharz sowie der gewünschten Verschneidung am Steuerventil.

8	Rückspülung	R2D2-32 = 1 min R2D2-48 = 1 min R2D2-72 = 2 min	Länge der Rückspülung des Enthärterharzes in Minuten. Durch das Rückspülen wird das Harz gereinigt. Diesen Wert <u>nicht</u> ändern.
9	Besalzen	R2D2-32 = 28 min R2D2-48 = 35 min R2D2-72 = 40 min	Länge der Besalzung des Enthärterharzes in Minuten. Durch das Besalzen mit Sole wird das Harz regeneriert und erhält wieder die ursprüngliche Enthärtungskapazität. Diesen Wert <u>nicht</u> ändern.
10	Schnellspülen	R2D2-32 = 2 min R2D2-48 = 2 min R2D2-72 = 3 min	Länge der Klarspülung des Enthärterharzes in Minuten. Durch das Klarspülen werden letzte Rest der Sole und ggf. Verschmutzungen im Harzbett herausgespült. Diesen Wert <u>nicht</u> ändern.
11	Solebehälter füllen	R2D2-32 = 3,2 min R2D2-48 = 4,8 min R2D2-72 = 7,2 min	Länge der Auffüllung des Solebehälters in Minuten. Durch das Auffüllen wird der Salzsolebehälter wieder mit Wasser befüllt, so dass sich bis zum nächsten Regeneriervorgang eine neue Salzsole bilden kann. Diesen Wert <u>nicht</u> ändern.
12	Werksteinstellungen laden		Zurücksetzen sämtlicher Einstellungen auf Null. Die Anlage ist bereits auf deutsche Werte programmiert. Bei einem Zurücksetzen werden auch diese überschrieben. Diese Funktion <u>nicht</u> aktivieren.

Der für europäische Nutzer empfohlene Modus „Volumen nicht berücksichtigt“ (Einheiten Metrisch) wurde bereits voreingestellt und sollte nicht verändert werden.

Zum ordnungsgemäßen Betrieb in diesem Modus müssen lediglich noch wenige Einstellungen vorgenommen werden.

Einstellung der Uhrzeit

Hierdurch wird die Regeneration zur gewünschten Uhrzeit (Voreinstellung: 2:00 Uhr morgens) durchgeführt.

Einstellung der Tage, bis eine Zwangsregeneration ausgeführt wird

Wir haben die Zwangsregeneration aus hygienischen Gründen auf 7 Tage voreingestellt. (Kann auch auf 10 Tage erhöht werden, um eine effizientere Funktion zu gewährleisten).

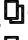
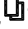
Einstellung der Enthärtungskapazität

Je nach Anlagengröße (Menge an Enthärterharz) und Wasserhärte muss die Kapazität berechnet und eingegeben werden. **Siehe Kapitel 12**

Prüfung aller Parameter



Überprüfen Sie, ob alle Parameter der Anlagengröße entsprechen.

11. Programmierung des Steuerventils im Modus „Volumen nicht berücksichtigt“ (EINHEITEN METRISCH)

Drücken Sie die Taste „“ für 3 Sekunden, um die Tastensperre zu lösen (BILDSCHIRM GESPERRT).
Drücken Sie die Taste „“, um in das Menü zu gelangen.

Es erscheint „SPRACHE“.

Drücken Sie die Taste „“. Die Anzeige fängt an zu blinken.

Wählen Sie mit den Tasten „“ und „“ Den Modus „DEUTSCH“.


Speichern Sie diese Eingabe mit der Taste „“.

Durch Drücken der Taste „“ gelangen Sie zum nächsten Punkt.

Es erscheint „EINHEITEN METRISCH“ oder „REGION US“.

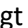
Drücken Sie die Taste „“. Die Anzeige fängt an zu blinken.

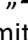

Wählen Sie mit den Tasten „“ und „“ Den Modus „EINHEITEN METRISCH“.

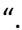
Speichern Sie diese Eingabe mit der Taste „“.

Durch Drücken der Taste „“ gelangen Sie zum nächsten Punkt.

Ihnen wird eine der folgenden Modis angezeigt: „Volumen verzögert“, „**Volumen nicht berücksichtigt**“, „Zeitsteuerung“, „Volumen sofort“.


Drücken Sie die Taste „“. Die Anzeige fängt an zu blinken.

Wählen Sie mit den Tasten „“ und „“ den Modus „**Volumen nicht berücksichtigt**“.

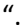
Speichern Sie die Eingabe mit der Taste „“.

Durch Drücken der Taste „“ gelangen Sie zum nächsten Punkt.

Ihnen wird angezeigt: „Uhrzeit“ (aktuelle Uhrzeit).


Drücken Sie die Taste „“. Die Anzeige fängt an zu blinken.

Wählen Sie mit den Tasten „“ und „“ die Stunde aus.

Speichern Sie die Eingabe mit der Taste „“.


Nun blinkt die Einstellung für die Minute.



Wählen Sie mit den Tasten „“ und „“ die Minute aus.

Speichern Sie diese Eingabe mit der Taste „“.

Durch Drücken der Taste „“ gelangen Sie zum nächsten Punkt.

Ihnen wird angezeigt: „Regen.Zeit“.

Drücken Sie die Taste „“. Die Anzeige fängt an zu blinken.

Wählen Sie mit den Tasten „“ und „“ die Stunde aus.

(Wir empfehlen „3“)

Speichern Sie diese Eingabe mit der Taste „“.

Nun blinkt die Einstellung für die Minuten.
Wählen Sie mit den Tasten „▲“ und „▼“ die Minuten aus.
(Wir empfehlen „0“)
Speichern Sie diese Eingabe mit der Taste „■“.

Durch Drücken der Taste „▼“ gelangen Sie zum nächsten Punkt.

Ihnen wird angezeigt: „Regen.Zeit“.
Drücken Sie die Taste „■“. Die Anzeige fängt an zu blinken.
Wählen Sie mit den Tasten „▲“ und „▼“ die Tage aus.
(Wir empfehlen „07“)
Speichern Sie diese Eingabe mit der Taste „■“.

Durch Drücken der Taste „▼“ gelangen Sie zum nächsten Punkt.

Ihnen wird angezeigt „Kapazität.“.
Drücken Sie die Taste „■“. Die Anzeige fängt an zu blinken.
Wählen Sie mit den Tasten „▲“ und „▼“ die Kapazität in Tonnen (= 1000 Liter) aus.
Geben Sie hier den Volumen-Wert aus der Tabelle von Seite 11 ein.
Speichern Sie diese Eingabe mit der Taste „■“.

Nun blinkt die Einstellung für die Kapazität in Litern.
Wählen Sie mit den Tasten „▲“ und „▼“ die Kapazität in Litern aus.
Geben Sie hier den Nachkomma-Wert aus der Tabelle von Seite 11 ein.
Speichern Sie diese Eingabe mit der Taste „■“.

Durch Drücken der Taste „▼“ gelangen Sie zum nächsten Punkt.

Ihnen wird angezeigt: „Rückspülen“.
Drücken Sie die Taste „■“. Die Anzeige fängt an zu blinken.
Wählen Sie mit den Tasten „▲“ und „▼“ die für Ihre Anlage passende Zeit in Minuten aus:
R2D2-32: 01 Min.
R2D2-48: 01 Min.
R2D2-72: 01 Min.
Speichern Sie diese Eingabe mit der Taste „■“.

Durch Drücken der Taste „▼“ gelangen Sie zum nächsten Punkt.

Ihnen wird angezeigt: „Besalzung“.
Drücken Sie die Taste „■“. Die Anzeige fängt an zu blinken.
Wählen Sie mit den Tasten „▲“ und „▼“ die für Ihre Anlage passende Zeit in Minuten aus:
R2D2-32: 28 Min.
R2D2-48: 35 Min.
R2D2-72: 40 Min.
Speichern Sie diese Eingabe mit der Taste „■“.

Ihnen wird angezeigt: „Schnellspülen“.
Drücken Sie die Taste „■“. Die Anzeige fängt an zu blinken.
Wählen Sie mit den Tasten „▲“ und „▼“ die für Ihre Anlage passende Zeit in Minuten aus:
R2D2-32: 02 Min.
R2D2-48: 02 Min.
R2D2-72: 03 Min.

Speichern Sie diese Eingabe mit der Taste „■“.

Durch Drücken der Taste „▼“ gelangen Sie zum nächsten Punkt.

Ihnen wird angezeigt: „Solebehälter füllen“.

Drücken Sie die Taste „■“. Die Anzeige fängt an zu blinken.

Wählen Sie mit den Tasten „▲“ und „▼“ die für Ihre Anlage passende Zeit in Minuten aus:

R2D2-32: 03.2 Min.

R2D2-48: 04.8 Min.

R2D2-72: 07.2 Min.

Speichern Sie diese Eingabe mit der Taste „■“.

Drücken Sie die Taste „□“, um die Programmierung zu verlassen.

Ihre Wasserenthärtungsanlage ist nun vollständig programmiert und betriebsbereit.

12. Berechnung der Enthärtungskapazität

Je nach Menge des verwendeten Enthärterharzes kann eine Enthärtungsanlage unterschiedlich viel Wasser enthärten.

Auch die Härte des Rohwassers beeinträchtigt die Kapazität einer Anlage erheblich.

Beide Werte müssen bekannt und im Steuerventil hinterlegt sein, um eine möglichst wirtschaftliche und ordnungsgemäße Funktion der Anlage zu gewährleisten.

Nutzen Sie zur einfachen Bestimmung der vorliegenden Rohwasserhärte ein Gesamthärtemessbecken. Alternativ entnehmen Sie die Wasserhärte den Angaben Ihres Wasserversorgungsunternehmens (beispielsweise auf dessen Internetseite).

Die Werte in der nachstehenden Tabelle könnten Sie sich auch Gegebenenfalls selbst berechnen.:

Beispiel.:

32: 20°dH = 1200 Liter weiches Wasser

48: 20°dH = 1800 Liter weiches Wasser

72: 10°dH = 5400 Liter weiches Wasser

		R2D2-32	R2D2-48	R2D2-72
°dH	°fH			
5	9	4,80 T	7,20 T	10,80 T
6	11	4,00 T	6,00 T	9,00 T
7	12	3,40 T	5,10 T	7,70 T
7,5	13	3,20 T	4,80 T	7,20 T
8	14	3,00 T	4,50 T	6,70 T
9	16	2,60 T	4,00 T	6,00 T
10	18	2,40 T	3,60 T	5,40 T
11	20	2,10 T	3,20 T	4,90 T
12	21	2,00 T	3,00 T	4,50 T
13	23	1,80 T	2,70 T	4,10 T
14	25	1,70 T	2,50 T	3,80 T
15	27	1,60 T	2,40 T	3,60 T
16	29	1,50 T	2,20 T	3,30 T
17	30	1,40 T	2,10 T	3,10 T
18	32	1,30 T	2,00 T	3,00 T
19	34	1,20 T	1,90 T	2,80 T
20	36	1,20 T	1,80 T	2,70 T
21	37	1,10 T	1,70 T	2,50 T
22	39	1,00 T	1,60 T	2,40 T
23	41	1,00 T	1,50 T	2,30 T
24	43	1,00 T	1,50 T	2,20 T
25	45	0,90 T	1,40 T	2,10 T
26	46	0,90 T	1,30 T	2,00 T
27	48	0,80 T	1,30 T	2,00 T
28	50	0,80 T	1,20 T	1,90 T
29	52	0,80 T	1,20 T	1,80 T
30	54	0,80 T	1,20 T	1,80 T

13. Einstellung der Verschneidung

Das Gerät enthärtet das Rohwasser auf 0 °dH.

Wir empfehlen, die Empfehlungen der Hersteller von Geräten wie Boilern zu befolgen. Wenn eine spezifische Wasserhärte angegeben ist, kann es erforderlich sein, das enthärtete Wasser mit Rohwasser zu mischen, um die empfohlene Härte zu erreichen.

Möglichkeit 1 – integriertes Verschneideventil am Steuerkopf

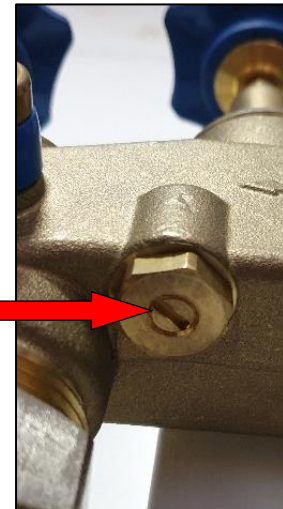


Durch Drehen der Stellschraube ändern Sie die Verschneidung mit Rohwasser.

Drehen im Uhrzeigersinn: Wasserhärte wird erhöht.

Drehen gegen den Uhrzeigersinn: Wasserhärte nimmt ab.

Möglichkeit 2 **bevorzugt** – Schlitzschraube am Montageblock



Durch Drehen der Schlitzschraube ändern Sie die Verschneidung ebenfalls mit Rohwasser.

Drehen gegen den Uhrzeigersinn: Wasserhärte wird erhöht.

Drehen im Uhrzeigersinn: Wasserhärte nimmt ab.

Wir empfehlen die Verschneidung über den Montageblock. Das Ergebnis ist genauer.

Prüfen Sie die Wasserhärte an einer Zapfstelle (Probeentnahmehahn am Montageblock) in der Nähe der Anlage mit einem Wasserhärtemessbesteck (Titrierlösung).

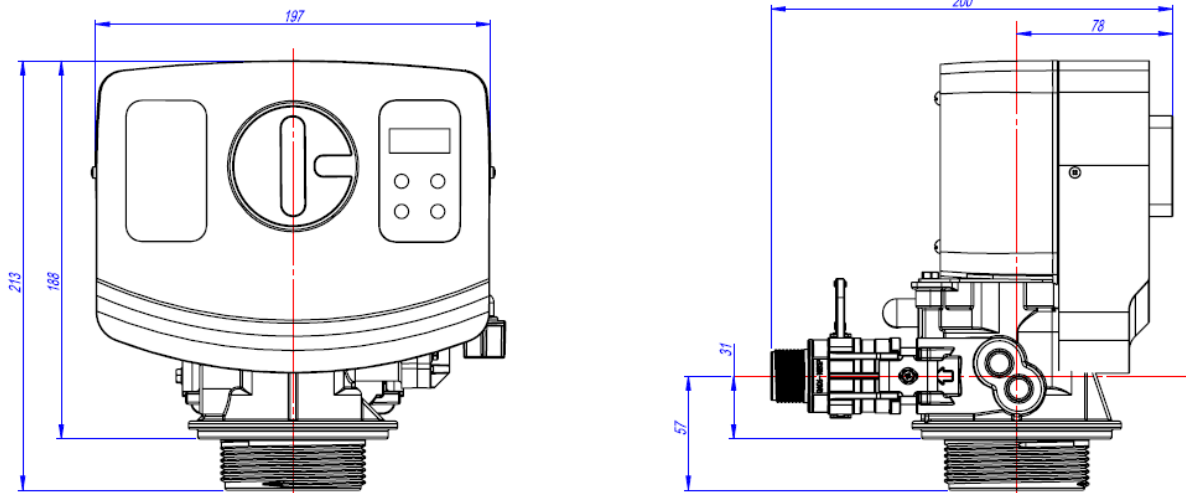
Lassen Sie das Wasser an der Zapfstelle dauerhaft laufen. Messen Sie die Wasserhärte nur mit Kaltwasser (Warmwasser wird durch die Heizung geführt und erst allmählich weicher).

Es kann je nach Entfernung zur Zapfstelle längere Zeit dauern, bis sich die neu verschnittene Wasserhärte messen lässt. (Messen Sie deshalb bitte direkt am Probeentnahmehahn am Montageblock)

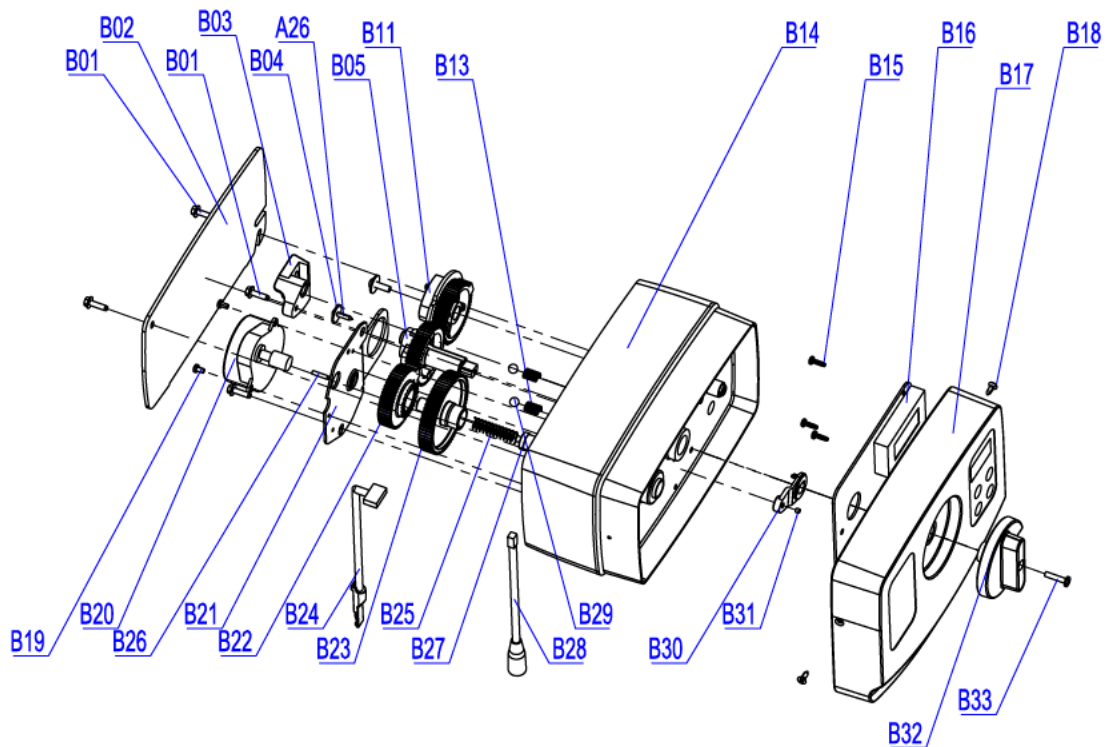
Lassen Sie am besten einen nächstgelegenen Wasserhahn auf Halbmast laufen und stellen Sie die Wasserhärte ein. Evtl. muss, je nach Wasserhärte und Druckverhältnisse, die Verschneidung über dem Ventil und dem Montageblock gleichzeitig erfolgen.

Zeichnungen

Maße des Steuerventils



Explosionszeichnung Steuerkopf BNT1650

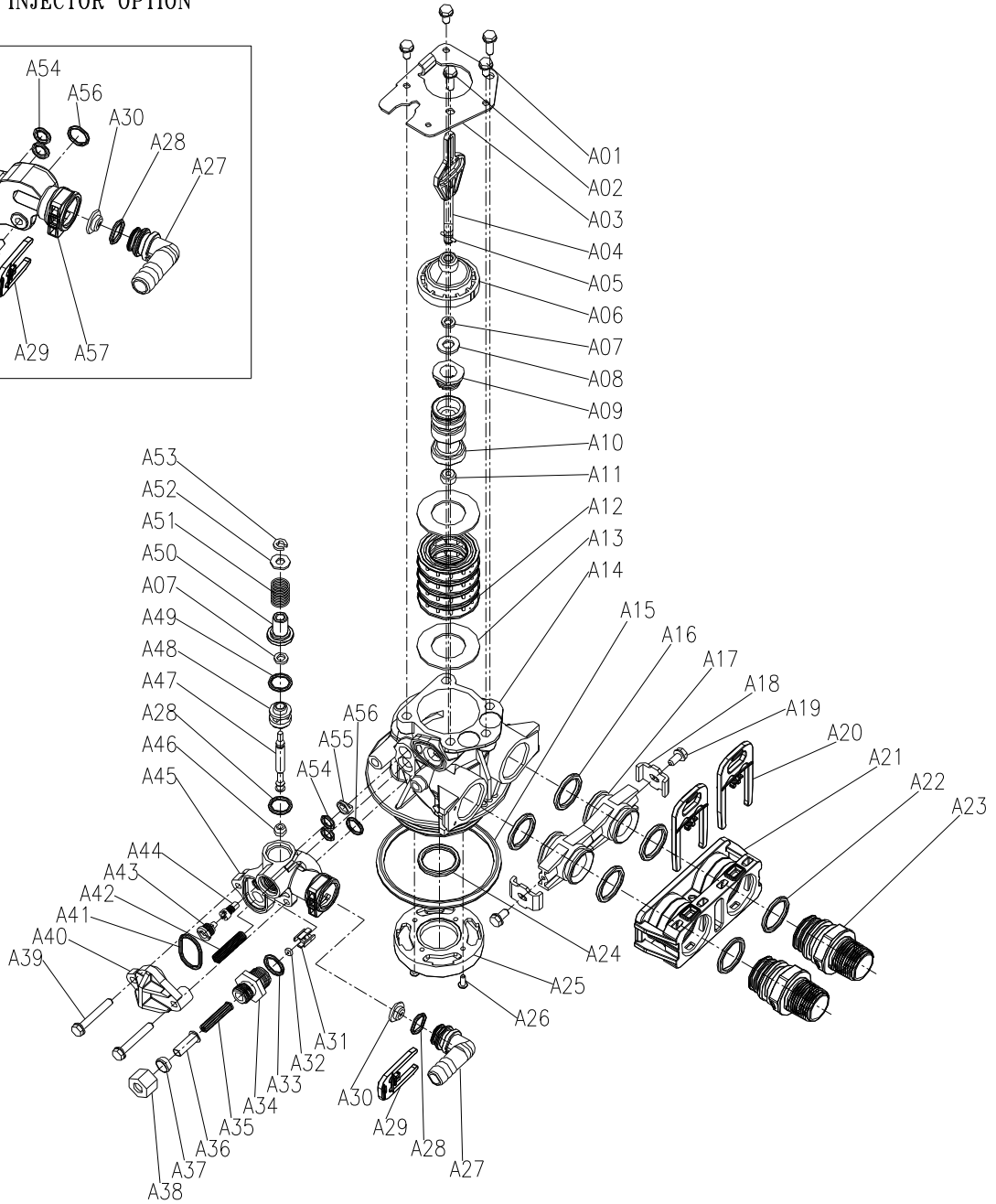
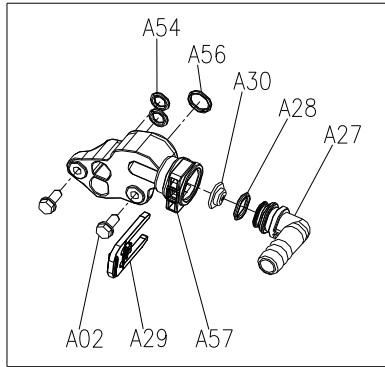


Ersatzteilliste BNT-1650

	Part No.	Part Description	Quantity
B01	05056136	Screw-ST3.5x13 (Hexagon with Washer)	4
B02	05056014	Bnt65 Back Cover	1
B03	05010045	Piston Stem Holder	1
A26	13000426	Screw-ST2.9x13 (Large Water)	1
B04	05056139	Washer-3x13	1
B05	05056005	Main Gear	1
B06	05056083	Screw-M4x14	1
B07	05056166	Screw-ST4.2x12 (Large Water)	1
B08	05056141	Washer-4x12	1
B09	13111004	Washer-4x9	1
B10	05056016	Refill Regulator	1
B11	05056015	Brine Gear	1
B12	05056089	Nut-M4	1
B13	05056095	Spring Detent	2
B14	05056001	Bnt65 Housing	1
B15	05010037	Srew-ST2.9x10	5
B16	05056504	Bnt165 Pcb	1
B17	05056500	Bnt165 Front Cover	1
	05056505	Bnt165 Operation Label	1
	05056506	Bnt165 Regen. Label	1
	3010019582	QR code label	1
B18	05056509	Screw-ST2.9x10 (CSK)	2
B19	05056082	Screw-M3x5	2
B20	05056510	Motor-12v/2rpm	1
	11700005	Wire Connector	2
B21	05056045	Motor Mounting Plate	1
B22	05056501	Bnt165 Drive Gear	1
A04	05010081	Bnt65 Piston Rod	1
B23	05056002	Idler Gear	1
B24	05010031	Meter Assembly	1
	05010046	Meter Strain Relief	1
B25	05056094	Spring Idler	1
B26	05056098	Motor Pin	1
B27	05056502	Spring Retainer	1
B28	05056507	Bnt165 Power Cable	1
	05056013	Bnt65 Power Strain Relief	1
B29	05056092	Ball-1/4inch	2
B30	05056503	Magnet Holder	1
B31	05010023	Magnet-3x2.7	1
B32	05056008	Bnt65 Knob	1
	05056111	Bnt65 Knob Label	1
B33	05056084	Screw-ST3.5x13	1

Explosionszeichnung Ventilhs BNT-1650

FILTER INJECTOR OPTION

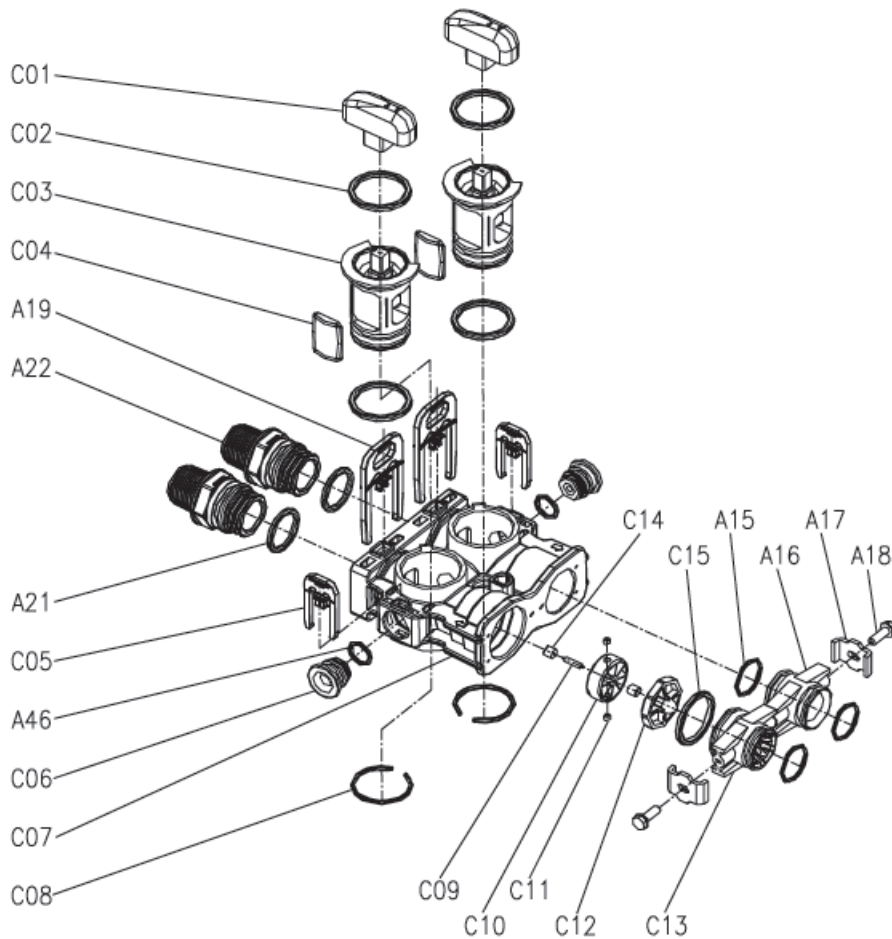


Ersatzteilliste Ventilhals BNT-1650

Item No.	Part. No.	Part Description	Quantity
A01	05056087	Screw-M5x12 (Hexagon)	3
A02	05056088	Screw-M5x16 (Hexagon with Washer)	2
A03	05056047	End Plug Retainer	1
A04	05010081	Bnt65 Piston Rod	1
A05	05056097	Piston Pin	1
A06	05056023	End Plug	1
A07	05056070	Quad Ring	2
A08	05056024	End Plug Washer	1
A09	05056022	Piston Retainer	1
A10	05056181	Piston (Electrical)	1
A11	05056104	Muffler	1
A12	05056021	Spacer	4
A13	05056073	Seal	5
A14	05056019	Bnt65 Valve Body	1
A15	05056063	O-Ring-q78.74x5.33	1
A16	05056129	O-Ring q23x3	4
A17	05056025	Adaptor Coupling	2
A18	05056044	Adaptor Clip	2
A19	05056090	Screw ST4.2x13 (Hexagon with Washer)	2
A20	21709003	Secune Clip	2
A21	05056140	Valve Connector	1
A22	05056065	O-Ring q23.6x2.65	2
A23	21319006	Screw Adaptor	2
A24	26010103	O-Ring q25x3.55	1
A25	07060007	Valve Bottom Connector	1
A26	13000426	Screw ST2.9x13 (Large Wafer)	2
A27	05010082	Drain Fitting-B	1
A28	05056134	O-Ring 12x2	2
A29	05056172	Sesune Clip S	1
A30	05056186	DLFC-2#	1
A31	05056035	BL F C Button Retainer	1
A32	05056191	BL F C-2#	1
A33	05056138	O-Ring 14x1.8	1
A34	05056100B	BL F C Fitting	1
A35	05056106	Brine Line Screen	1
A36	05056107	BL F C Tube Insert	1
A37	05056033	BL F C Femule	1
A38	05056108	BL F C Fitting Nut	1
A39	05056066	Screw-M6x30 (Hexagon with Washer)	2
A40	05056029	Injector Cover	1
A41	05056072	O-Ring q24x2	1
A42	05056103	Injector Screen	1
A43	05056027	Injector Nozzle	1
A44	05056028	Injector Throat	1
A45	05056177	Injector Body-B	1
A46	05056075	Injector Seat	1

A47	05056054	Injector Spacer	1
A49	05056081	O-Ring 12.5x1.8	1
A50	05056030	Injector Cap	1
A51	05056093	Injector Screen	1
A52	05010049	Special Washer	1
A53	05056105	Retaining Ring	1
A54	05056067	O-Ring 7.8x1.9	2
A55	05056037	Air Disperser	1
A56	05056066	O-Ring 11x2	1
A57	05056165	Injector Body (Filter)	1

Explosionszeichnung Bypass-Ventil

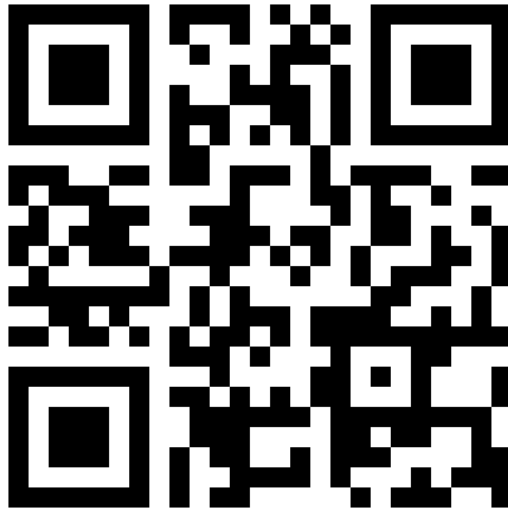


Ersatzteilliste Bypass-Ventil BNT-1650

Item No	Part No.	Part Description	Quantity
C01	05056147	Bypass Knob	2
C02	26010028	O-Ring 28x2.65	4
C03	05056148	Bypass Plug	2
C04	05056149	Bypass Seal	2
A20	21709003	Secure Clip	2
A23	21319006	ScREW Adaptor	2
A22	05056065	O-Ring 23.6x2.65	2
C05	05056172	Secure Clip S	2
A48	05056134	O-Ring 12x2	1
C06	05056146	Bulkhead	2
C07	05056145	Bypass Body	1
C08	05056150	Collar 32x2.5	2
C09	05010079	Impeller Pin	1
C10	05010014	Impeller	1
C11	05010078	Magnet 4x3	2
C12	05010077	Impeller Holder	1
C13	05010083	Adaptor Distributor	1
C14	05010019	Pin Holder	2
C15	26010046	O-Ring 27x3	1
A16	05056129	O-Ring 23x3	3
A17	05056025	Adaptor Coupling	1
A18	05056044	Adaptor Clip	2
A19	05056090	Screw-ST4.2x13 (Hexagon with Washer)	2

Technische Daten

Betriebsdruck:	2,0 bar bis 6,0 bar
Umgebungstemperatur:	+5 °C bis +40 °C
Anlagenanschluss:	Eingang: 230 V / 50 Hz -- Ausgang: 25 V / 50 Hz
Gewinde zum Druckbehälter:	2.5" NPSM
Anschlussgröße Eingang/Ausgang:	3/4"



**Installation
AQMOS R2D2-Serie**

Aqmos Wasseraufbereitung GmbH

Im Mittelfeld 4-6
63500 Seligenstadt
Deutschland

Tel.: +49 6182 89 666 66
Telefax: +49 6182 89 666 33
E-Mail: info@aqmos.com

Aqmos Waterbehandeling B.V.

Eekboerstraat 28M
7575AX Oldenzaal
The Netherlands

Tel.: +31 541 23 45 60
Website: www.aqmos.nl
E-Mail: info@aqmos.nl